

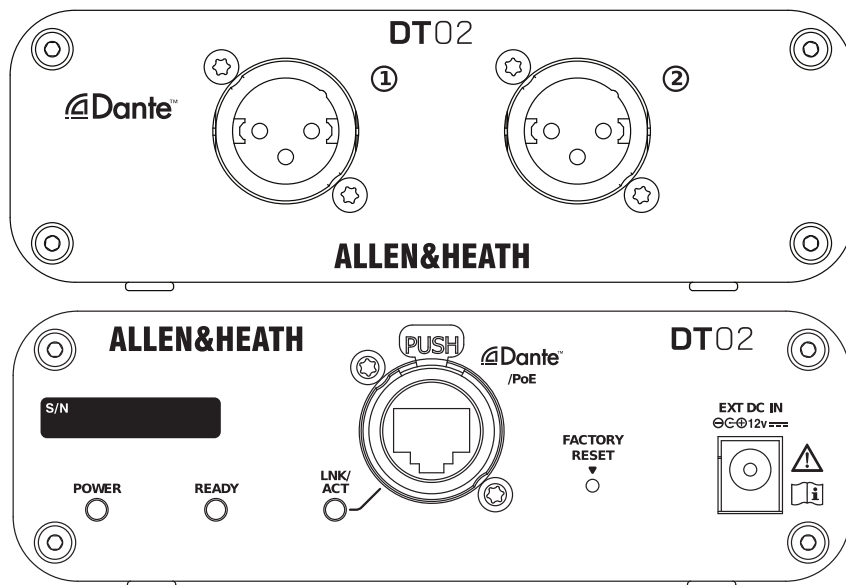
ALLEN & HEATH

Allen & Heath Limited
Kernick Industrial Estate
Penryn, Cornwall,
TR10 9LU, UK
www.allen-heath.com

DT02 Getting Started Guide

Overview

- Dante output interface 48kHz/96kHz
- 2x XLR line outputs
- PoE powered or DC 12V
- EtherCon connector
- Rugged aluminium box
- Optional ears for surface mounting (included in DT02-M)
- Optional rack mounting kit DT-RK19



A&E Specifications

The unit shall be a remote audio output interface for Dante enabled audio systems.

The remote audio unit shall provide 2 line outputs on XLR sockets.

The unit shall be able to operate at a 48kHz or 96kHz sample rate on a Dante network.

An EtherCon connector shall be provided for transport of the digital audio signals over the Dante network.

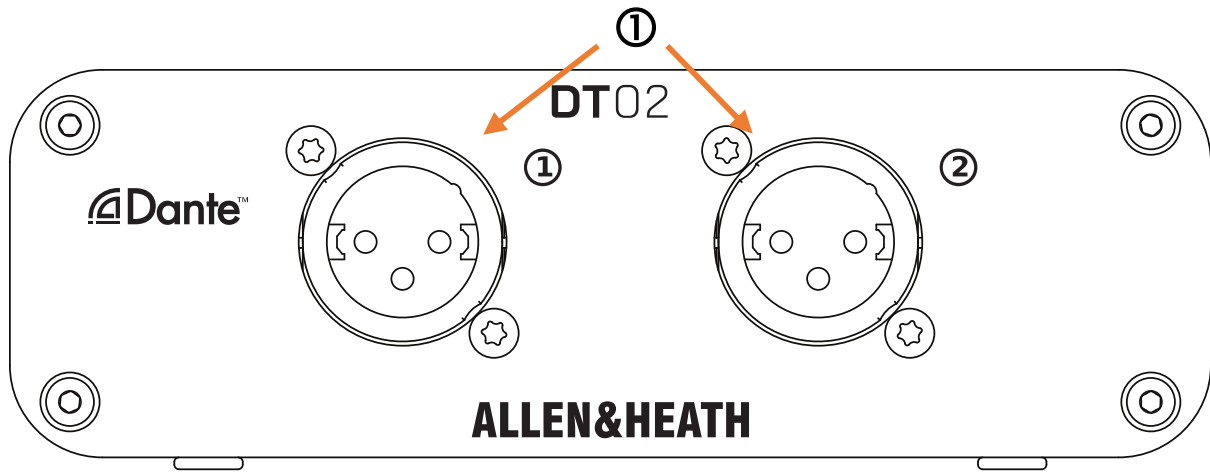
The remote audio unit shall have a robust aluminium chassis and optional kits shall be available for 19" rack mounting or mounting to a flat surface.

The remote Dante interface shall be powered via Power over Ethernet (PoE) or via an external 12V DC power supply.

Recommended operating temperature for the remote Dante interface shall be 0 to 40 degrees Celsius.

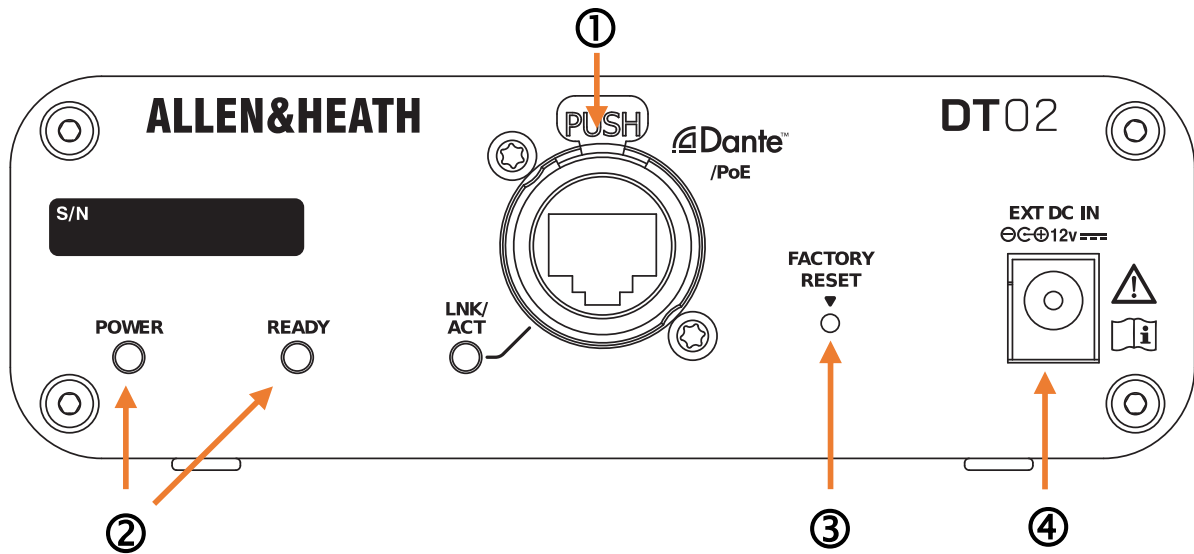
The unit shall be the Allen & Heath DT02.

Front panel



- ① **Output sockets** Balanced line-level XLR outputs.

Rear panel



- ① **Dante** EtherCon port for connection to the Dante network and Link / Activity LED indicator. Use a PoE Ethernet switch or PoE injector to power the unit via this port.
- ② **Power** LED indicator and **Ready** indicator. **Ready** lights up when the unit is successfully booted and ready to pass audio.
- ③ **Factory Reset** Hold down the recessed switch while powering up. After at least 10 seconds, remove power then power up again normally to reset the network settings and name. This will delete any static IP address and revert to factory default (DHCP / zero-conf).
- ④ **DC input** DC 12V connector. Only use with the power supply provided with the unit.

DT02

The DT02 is a portable, PoE enabled, rugged Dante I/O unit. It can be used to complement Allen & Heath digital mixing systems, or any other system on a Dante network. It provides 2 balanced line-level outputs via a pair of XLR connectors. It connects to the Dante network over a single Cat cable.

The DT02 can be ordered in either of two versions:

- DT02 - standard version with rubber feet and 12V power supply.
- DT02-M - version for fixed installation with brackets for surface mounting and no external power supply.

Software

Visit the Audinate website to learn more about Dante, and download Dante Controller to route audio and configure devices on a Dante network:

<https://www.audinate.com/>

Specification

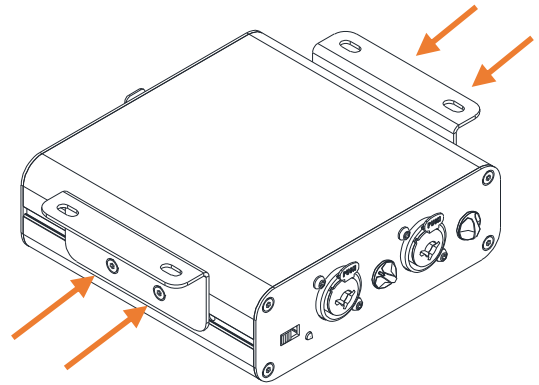
XLR Outputs	Balanced, relay protected
Output Impedance	<75Ω
Nominal Output	+4dBu = 0dB meter reading
Maximum Output Level	+22dBu
Dante	48kHz/96kHz
Power and Temperature	
DC Input	+12V DC 1.25A
Power Consumption	10W max
Operating Temperature Range	0°C to 40°C (32°F to 104°F)
PoE Requirements	802.3af 15W
Dimensions and Weight	<i>Width x Depth x Height x Weight</i>
DT02	130 x 131 x 43 mm, 0.5kg (5.1" x 5.2" x 1.7", 1lbs)

Surface mounting

The surface mounting ears allow the device to be mounted on top or under a surface, desktop or podium, or vertically on a wall or partition. They can be installed to face either the top or bottom of the unit.

The DT02-M comes with surface mounting ears and preassembled insert bars. Position the ears centrally on each side of the unit, aligned with the threaded holes on the insert bars, facing either up or down as required, and secure them using the 4x M3x6mm screws provided in the package.

For surface mounting of a standard DT02, the optional surface mounting kit **DT-SMK** is available.



Rack mounting

Up to two units can be rack-mounted in a single 1U rack space with the optional rack kit **DT-RK19**.

Read the Safety Instructions Sheet included with the product and the information printed on the panel before operating.

A limited one year manufacturer's warranty applies to this product, the conditions of which can be found at: www.allen-heath.com/legal

Register your product with Allen & Heath online at: <http://www.allen-heath.com/support/register-product/>

ALLEN & HEATH

Copyright © 2020 Allen & Heath. All rights reserved.