

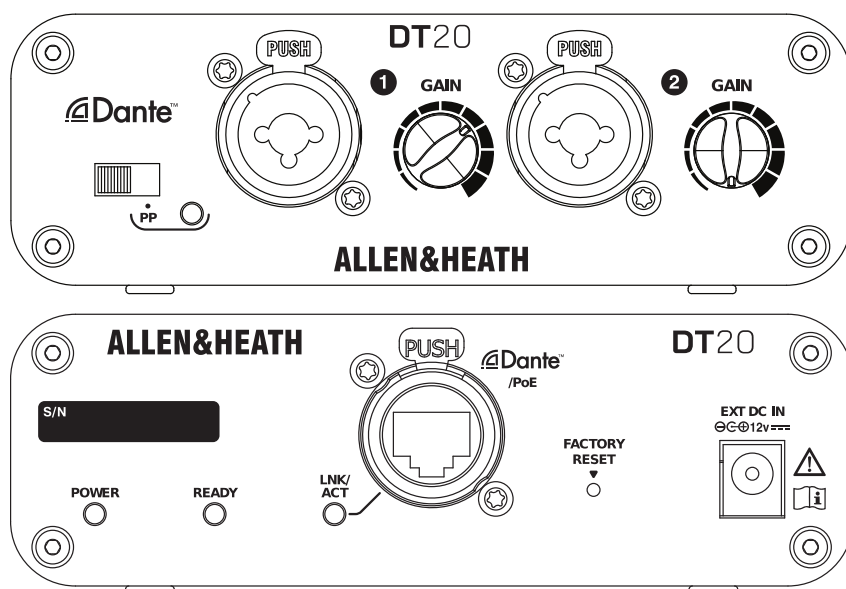
ALLEN & HEATH

Allen & Heath Limited
Kernick Industrial Estate
Penryn, Cornwall,
TR10 9LU, UK
www.allen-heath.com

DT20 Getting Started Guide

Overview

- Dante input interface 48kHz/96kHz
- 2x combi mic/line inputs
- Local gain control
- +48V phantom power with LED indicator
- PoE powered or DC 12V
- EtherCon connector
- Rugged aluminium box
- Optional ears for surface mounting (included in DT20-M)
- Optional rack mounting kit DT-RK19



A&E Specifications

The unit shall be a remote audio input interface for Dante enabled audio systems.

The remote audio unit shall provide 2 inputs on combi XLR / 1/4" TRS jack sockets. Preamp gain, with a range of 0dB to +55dB, shall be controlled via rotary controls on the front panel of the interface. A switch shall be provided for the enabling of +48V phantom power to both preamps, with LED indication.

The unit shall be able to operate at a 48kHz or 96kHz sample rate on a Dante network.

An EtherCon connector shall be provided for transport of the digital audio signals over the Dante network.

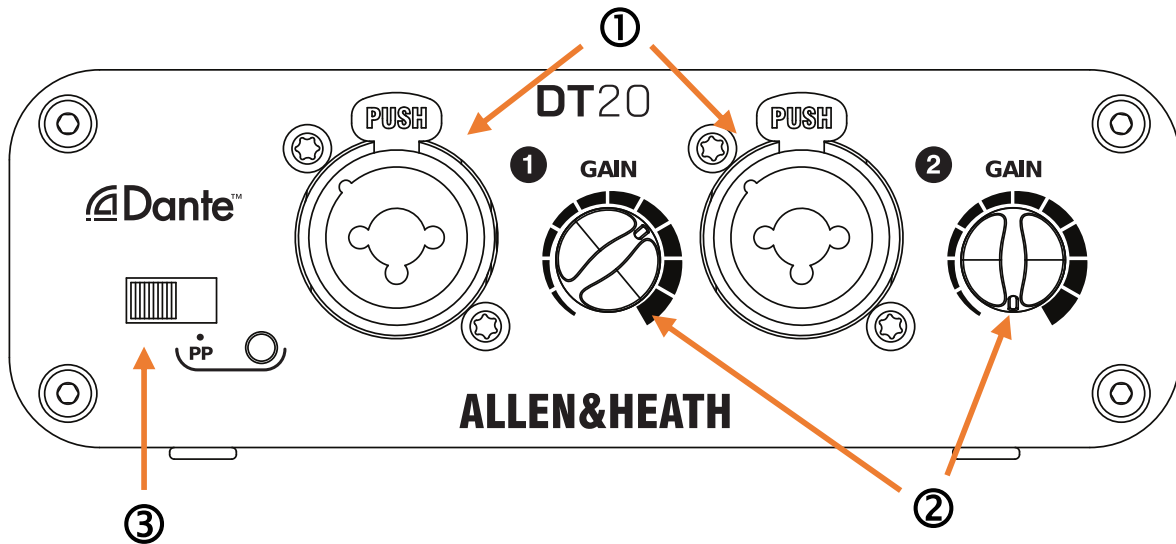
The remote audio unit shall have a robust aluminium chassis and optional kits shall be available for 19" rack mounting or mounting to a flat surface.

The remote Dante interface shall be powered via Power over Ethernet (PoE) or via an external 12V DC power supply.

Recommended operating temperature for the remote Dante interface shall be 0 to 40 degrees Celsius.

The unit shall be the Allen & Heath DT20.

Front panel

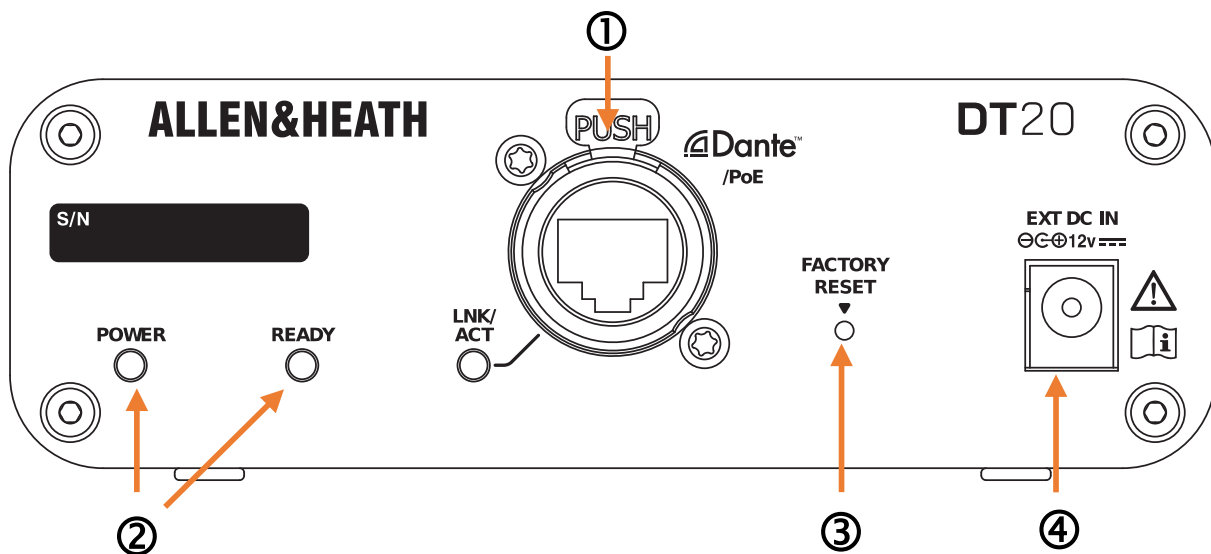


① **Input sockets** Balanced combi mic/line inputs. The TRS inputs have an integrated 20dB Pad for use with line level signals.

② **Gain** Rotary control for the analogue gain of the preamp, 0dB to 55dB. To prevent any tampering with the gain level, the knobs can be removed and replaced with the blanking lids provided.

③ **PP** +48V Phantom Power switch and indicator.

Rear panel



① **Dante** EtherCon port for connection to the Dante network and Link / Activity LED indicator. Use a PoE Ethernet switch or PoE injector to power the unit via this port.

② **Power** LED indicator and **Ready** indicator. **Ready** lights up when the unit is successfully booted and ready to pass audio.

③ **Factory Reset** Hold down the recessed switch while powering up. After at least 10 seconds, remove power then power up again normally to reset the network settings and name. This will delete any static IP address and revert to factory default (DHCP / zero-conf).

④ **DC input** DC 12V connector. Only use with the power supply provided with the unit.

DT20

The DT20 is a portable, PoE enabled, rugged Dante I/O unit. It can be used to complement Allen & Heath digital mixing systems, or any other system on a Dante network. It provides 2 mic/line preamps with local gain and phantom power control. It connects to the Dante network over a single Cat cable.

The DT20 can be ordered in either of two versions:

- DT20 - standard version with rubber feet and 12V power supply.
- DT20-M - version for fixed installation with brackets for surface mounting and no external power supply.

Software

Visit the Audinate website to learn more about Dante, and download Dante Controller to route audio and configure devices on a Dante network:

<https://www.audinate.com/>

Specification

Mic/Line Inputs

Mic Inputs	Balanced XLR, +48V phantom
Analogue Gain	0 to +55dB
Line Inputs	Balanced TRS, -20dB PAD
Maximum Input Level	+30dBu (TRS in)
Input Impedance	>4k Ω (XLR), >10k Ω (TRS)

Dante 48kHz/96kHz

Power and Temperature

DC Input	+12V DC 1.25A
Power Consumption	10W max
Operating Temperature Range	0°C to 40°C (32°F to 104°F)
PoE Requirements	802.3af 15W

Dimensions and Weight

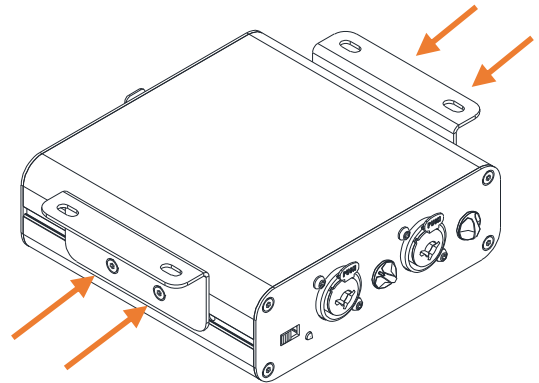
	<i>Width x Depth x Height x Weight</i>
DT20	130 x 136 x 43 mm, 0.5kg (5.1" x 5.4" x 1.7", 1lbs)

Surface mounting

The surface mounting ears allow the device to be mounted on top or under a surface, desktop or podium, or vertically on a wall or partition. They can be installed to face either the top or bottom of the unit.

The DT20-M comes with surface mounting ears and preassembled insert bars. Position the ears centrally on each side of the unit, aligned with the threaded holes on the insert bars, facing either up or down as required, and secure them using the 4x M3x6mm screws provided in the package.

For surface mounting of a standard DT20, the optional surface mounting kit **DT-SMK** is available.



Rack mounting

Up to two units can be rack-mounted in a single 1U rack space with the optional rack kit **DT-RK19**.

Read the Safety Instructions Sheet included with the product and the information printed on the panel before operating.

A limited one year manufacturer's warranty applies to this product, the conditions of which can be found at: www.allen-heath.com/legal

Register your product with Allen & Heath online at: <http://www.allen-heath.com/support/register-product/>

ALLEN & HEATH

Copyright © 2020 Allen & Heath. All rights reserved.