

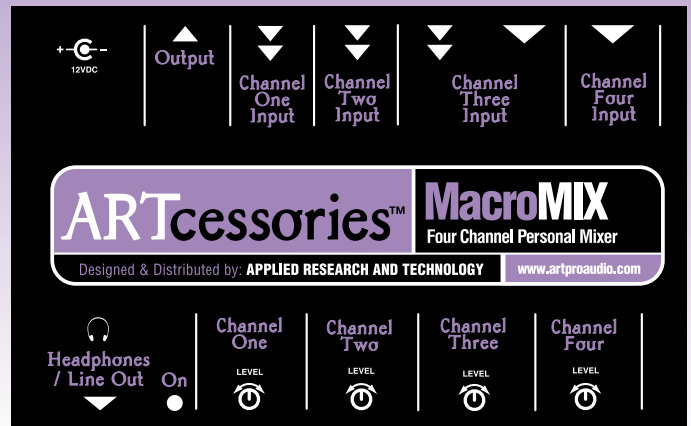
ARTcessories™

Creative audio solutions in cool little boxes.

September 2002

MacroMIX

Four Channel Personal Mixer



The Facts About 4-Channel Personal Mixers:

Problem: You need to mix a CD and a VCR's audio output with a synthesizer and the line output of a bass amp and send it all to a PC or cassette deck.

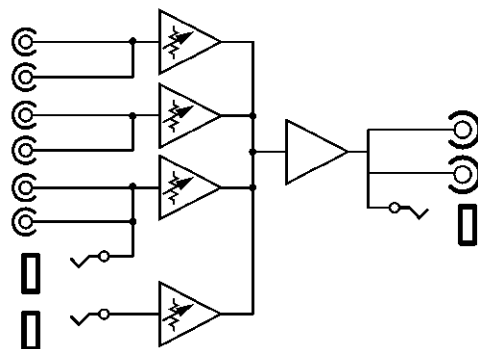
Solution: Connect an MacroMIX between your audio sources and the PC or cassette deck. Levels can be mixed and a headphone jack lets you monitor the mix.

Specifications:

- Four input channels, Ch. 1 and 2 have dual L/R RCA inputs, with Ch. 3 you have a choice of one 1/4" or dual L/R RCA inputs and Ch 4 has a 1/4" unbalanced input.
- Four Level controls, one for each channel
- Dual L/R RCA Output connectors
- 1/4" Line Out/Stereo Headphone output jack
- Active preamplification and mixing circuitry
- Input Impedance: 10K ohms unbalanced (all inputs)
- Ch. 1/2/3 and 4 Input Gains: 32dB/26dB/26dB and 26dB
- S/N Ratio: >90dB
- THD: <0.008%
- IMD (SMPTE): <0.008%
- Power: 12V DC (Adapter included)
- Dimensions: 5.625 x 3.75 x 1.75 inches (143mm x 92mm x 45mm)
- Weight: 2 lbs (0.91kg)

Usage:

- Connect the AC adapter cable to the 12V DC Input on the MacroMIX, and plug the other end into a 120V AC power outlet.
- Connect your various signal sources to the appropriate Inputs on the MacroMIX with unbalanced shielded cables. Electric instruments or amplifier line outputs would go to the 1/4" input on channel 3 and/or 4. Stereo sources (tape deck, CD player, etc.) would be connected to the RCA Inputs on channels 1 and 2.
- Connect headphones to the Line/Headphone output. Alternatively, this jack can be connected to the stereo inputs of a powered monitor speaker or a headphone amplifier if added headphone loudness is required.
- Connect the MacroMIX's stereo RCA Outputs to the L&R inputs on your tape deck, PC, or a PA mixer with stereo inputs.
- Adjust the Level controls for the desired mix.



DESIGNED & DISTRIBUTED BY:



APPLIED RESEARCH AND TECHNOLOGY
215 Tremont St. • Rochester, NY 14608 • USA
For Customer Service, please call: 585.436.2720
Email: cserve@artproaudio.com
www.artproaudio.com