



**U891RCb/U891Rb/U891RWb/U891RbO/
U851Rb/U851RWb/U851RbO**

Quick Start Guide

audio-technica

Thank you for purchasing this product. Before using the product, read through the user manual to ensure that you will use the product correctly. Please keep this manual for future reference.

■ Safety precautions

Although this product was designed to be used safely, failing to use it correctly may result in an accident. To ensure safety, observe all warnings and cautions while using the product.

■ Cautions for the product

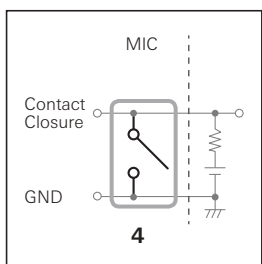
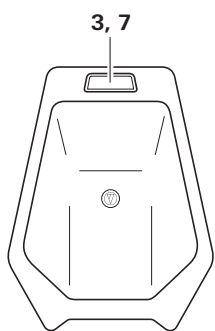
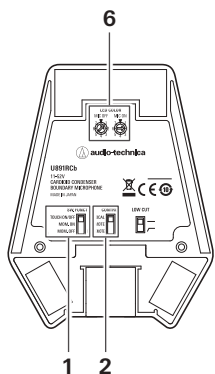
- Do not subject the product to strong impact to avoid malfunction.
- Do not disassemble, modify or attempt to repair the product.
- Do not handle the product with wet hands to avoid electric shock or injury.
- Do not store the product under direct sunlight, near heating devices or in a hot, humid or dusty place.

■ Notes on use

- Do not swing or carry the microphone by the cable to prevent the microphone from becoming disconnected or damaged.
- Do not wind the cable around the rack or allow the cable to become pinched.
- The electronics in the microphone take up to 30 seconds to stabilize after power is applied; if the system is live during this start-up period and you activate the switch, you may hear some sonic disturbances.
- Audio-Technica has developed a special RFI-shielding mechanism, which is an integral part of the connectors in the UniPoint® line. If you remove or replace the connector, you may adversely affect the unit's RFI immunity. Audio-Technica offers a crimp tool (ATCT) and RFI shields that enable you to shorten the cable and correctly reinstall the connector while maintaining the highest level of RFI immunity.
- The microphone should be placed on a flat, unobstructed mounting surface. The sound source should not be below the plane of the mounting surface.
- Placing any object on a surface (such as a conference table) before its finish is fully cured may result in damage to the finish.

Switch setting and functions

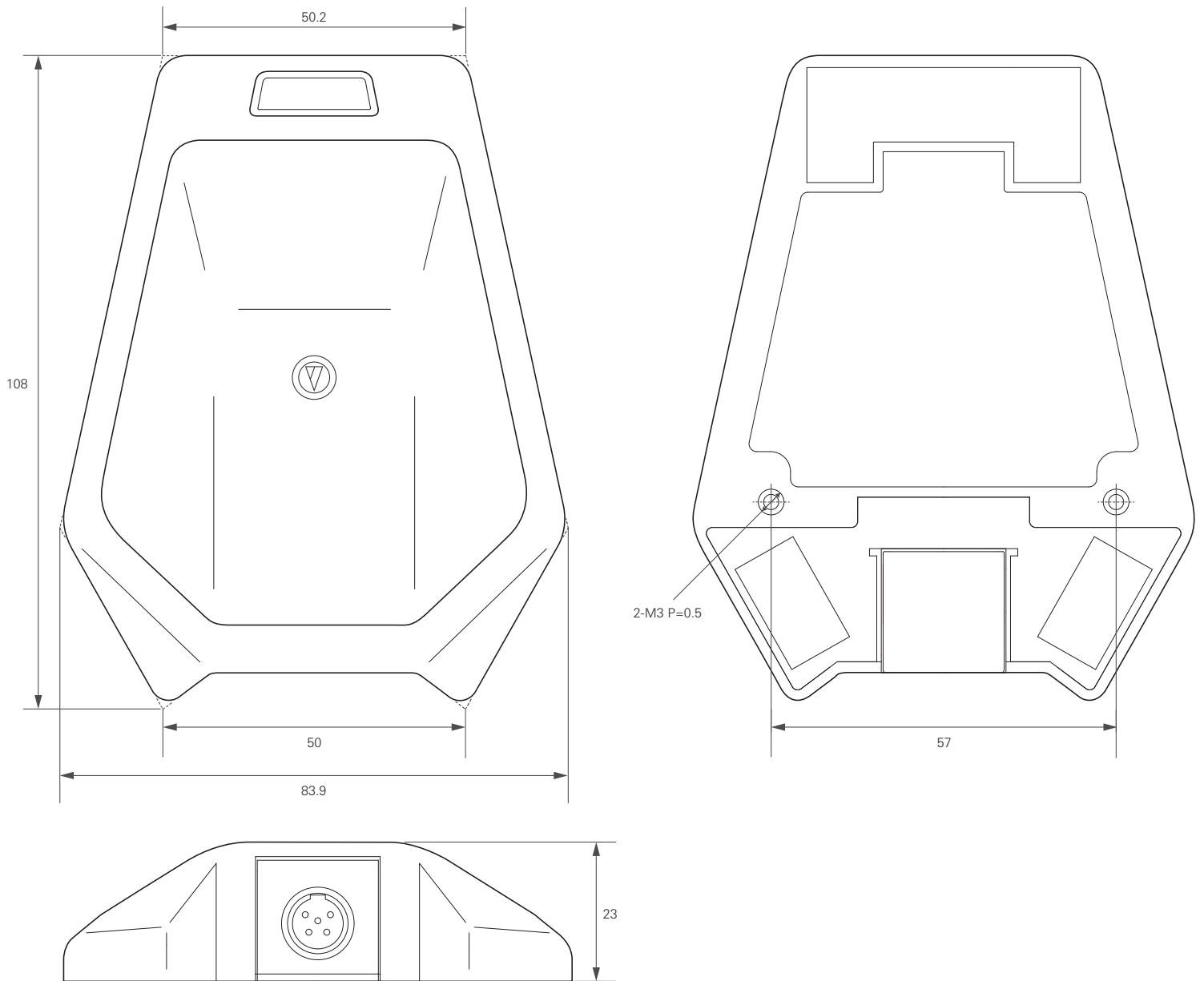
- ① U891Rb / U891RWb / U891RbO
- ② U891RCb



1. Control	2. Switch Function	3. Action	4. Contact closure status	5. Audio status	6. LED color	7. LED status	
<p>①</p> <p>CONTROL</p> <p>LOCAL REMOTE</p> <p>LED REMOTE</p>	<p>SW.FUNCTION</p> <p>TOUCH ON/OFF</p> <p>MOM.ON</p> <p>MOM.OFF</p>				<p>LED COLOR</p> <p>MIC OFF MIC ON</p>		
					<p>MIC OFF MIC ON</p>		
	<p>SW.FUNCTION</p> <p>TOUCH ON/OFF</p> <p>MOM.ON</p> <p>MOM.OFF</p>				<p>MIC OFF MIC ON</p>		
					<p>MIC OFF MIC ON</p>		
	<p>SW.FUNCTION</p> <p>TOUCH ON/OFF</p> <p>MOM.ON</p> <p>MOM.OFF</p>				<p>MIC OFF MIC ON</p>		
					<p>MIC OFF MIC ON</p>		
	<p>②</p> <p>CONTROL</p> <p>LOCAL REMOTE</p> <p>LED REMOTE</p>	<p>SW.FUNCTION</p> <p>TOUCH ON/OFF</p> <p>MOM.ON</p> <p>MOM.OFF</p>				<p>MIC OFF MIC ON</p>	
						<p>MIC OFF MIC ON</p>	
		<p>SW.FUNCTION</p> <p>TOUCH ON/OFF</p> <p>MOM.ON</p> <p>MOM.OFF</p>				<p>MIC OFF MIC ON</p>	
						<p>MIC OFF MIC ON</p>	
		<p>SW.FUNCTION</p> <p>TOUCH ON/OFF</p> <p>MOM.ON</p> <p>MOM.OFF</p>				<p>MIC OFF MIC ON</p>	
						<p>MIC OFF MIC ON</p>	
<p>CONTROL</p> <p>LOCAL REMOTE</p> <p>LED REMOTE</p>		<p>SW.FUNCTION</p> <p>TOUCH ON/OFF</p> <p>MOM.ON</p> <p>MOM.OFF</p>				<p>MIC OFF MIC ON</p>	
						<p>MIC OFF MIC ON</p>	
		<p>SW.FUNCTION</p> <p>TOUCH ON/OFF</p> <p>MOM.ON</p> <p>MOM.OFF</p>				<p>MIC OFF MIC ON</p>	

Dimensions

The following figures show U891RCb



Wiring



LED

Supported models

U891RCb, U891Rb, U891RWb, U891RbO

▼	1	2	3	4	5	6	7
OFF	RED	GREEN	YELLOW	BLUE	MAGENTA	CYAN	WHITE

U891RCb/U891Rb/U891RWb/ U851Rb/U851RWb	U891RbO/ U851RbO
CARDIOID CONDENSER BOUNDARY MICROPHONE	OMNIDIRECTIONAL CONDENSER BOUNDARY MICROPHONE

Audio-Technica Corporation

2-46-1 Nishi-naruse, Machida, Tokyo 194-8666, Japan

©2018 Audio-Technica Corporation

Global Support Contact: www.at-globalsupport.com