



# U891Rb/U891RWb

## User Manual CARDIOID CONDENSER BOUNDARY MICROPHONE



audio-technica

### Introduction

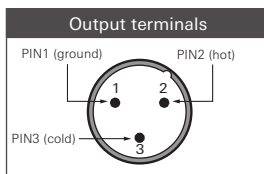
Thank you for purchasing this product. Before using the product, read through the user manual to ensure that you will use the product correctly. Please keep this manual for future reference.

### Features

- Cardioid condenser boundary microphone with switch
- Designed for surface-mount applications such as high-quality sound reinforcement, professional recording, television, conferencing and other demanding sound pickup situations
- The capacitive touch switch can be set to any of three operating modes: "touch-on/touch-off", "touch-to-talk" and "touch-to-mute"
- Integral, phantom-powered, two-state RGB LED indicator displays on/off status of microphone
- PivotPoint™ rotating output connector allows cable to exit from either the rear or the bottom of the microphone
- Superior off-axis rejection for maximum gain before feedback
- UniGuard™ RFI-shielding technology offers outstanding rejection of radio frequency interference (RFI)
- Small-diameter UniPoint™ capsule near boundary eliminates phase distortion and delivers clear, high-output performance
- Heavy die-cast case and non-slip silicone foam bottom pads minimize coupling of surface vibration to the microphone
- Low-profile design with low-reflectance finish for minimum visibility
- Threaded inserts on bottom of microphone allow it to be mounted with screws for increased security
- Available in two colors: black (U891Rb) and white (U891RWb)

### Connection procedure

Connect the output terminals of the microphone to a device that has a microphone input (balanced input) compatible with a phantom power supply. The output connector is an XLRM-type with polarity as shown in the figure below.



This product requires phantom power.

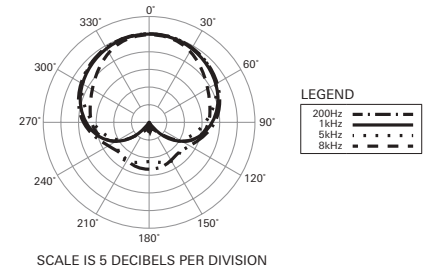
### Specifications

Element	Fixed-charge back plate, permanently polarized condenser
Polar pattern	Cardioid
Frequency response	20 - 20,000 Hz
Low frequency roll-off	80 Hz, 18 dB/octave
Open circuit sensitivity	-34 dB (19.9 mV) (0dB=1V/Pa, 1kHz)
Impedance	50 ohms
Maximum input sound level	130 dB SPL (1kHz at 1% THD)
Noise	26 dB SPL (A-weighted)
Dynamic range	104 dB (1kHz at Max SPL)
Signal-to-noise ratio	68 dB (1kHz at 1Pa, A-weighted)
Phantom power requirements	11 - 52 V DC, 9.3 mA
Switches	Low cut: on/off; Switch function: touch on/off, momentary on, momentary off
Weight	253 g (8.9 oz)
Dimensions	23 mm (0.91") × 83.9 mm (3.3") × 108 mm (4.25") (H×W×D)
Output connector	TB3M-type (Microphone) 3-pin XLRM-type (Cable)
Optional interchangeable elements	UE-O omnidirectional (360°), UE-H hypercardioid (100°)
Included accessories	U891Rb: 7.6 m (24.9') Microphone black cable (TA3F, XLRM), Pouch U891RWb: 7.6 m (24.9') Microphone white cable (TA3F, XLRM), Pouch

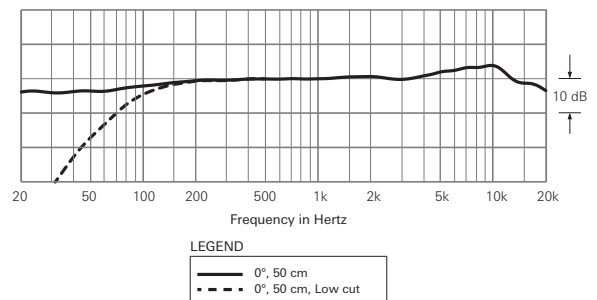
• 1 Pascal = 10 dynes/cm<sup>2</sup> = 10 microbars = 94 dB SPL

For product improvement, the product is subject to modification without notice.

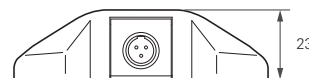
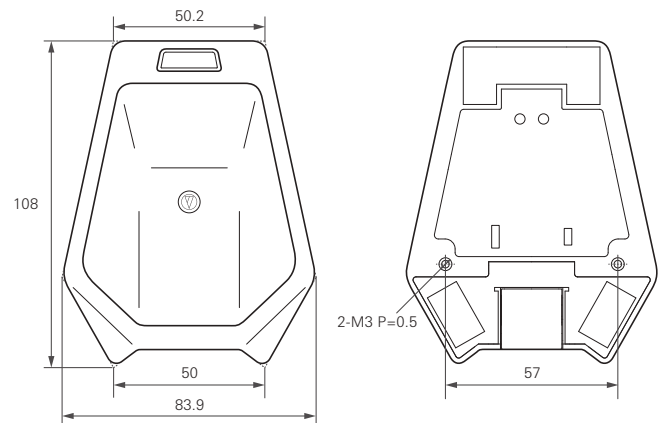
### Polar pattern



### Frequency response



### Dimensions



(Unit: mm)

### Included accessories



### Audio-Technica Corporation

2-46-1 Nishi-naruse, Machida, Tokyo 194-8666, Japan

©2019 Audio-Technica Corporation

Global Support Contact: [www.at-globalsupport.com](http://www.at-globalsupport.com)

Made in Japan

142419861-01-01 ver.1 2019.01.15