



U891RCb

User Manual
CARDIOID CONDENSER BOUNDARY MICROPHONE

audio-technica

Introduction

Thank you for purchasing this product. Before using the product, read through the user manual to ensure that you will use the product correctly. Please keep this manual for future reference.

Features

- Cardioid condenser boundary microphone with local or remote switching
- Designed for surface-mount applications such as high-quality sound reinforcement, conferencing, distance learning and other demanding sound pickup situations
- The capacitive touch switch can be set to any of three operating modes: "touch-on/touch-off", "touch-to-talk" and "touch-to-mute"
- Integral, phantom-powered, two-state RGB LED indicator (controlled locally or remotely) displays on/off status of microphone
- External contact closure capability permits control of remote devices from microphone switch
- PivotPoint™ rotating output connector allows cable to exit from either the rear or the bottom of the microphone
- Small-diameter UniPoint™ capsule near boundary eliminates phase distortion and delivers clear, high-output performance
- UniGuard™ RFI-shielding technology offers outstanding rejection of radio frequency interference (RFI)
- Heavy die-cast case and non-slip silicone foam bottom pads minimize coupling of surface vibration to the microphone
- Low-profile design with low-reflectance black finish for minimum visibility
- Threaded inserts on bottom of microphone allow it to be mounted with screws for increased security

Specifications

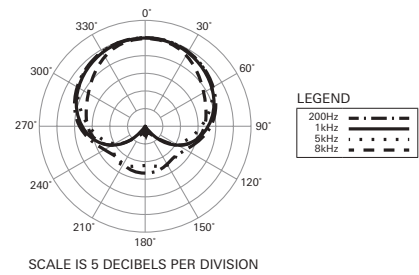
| | |
|-----------------------------------|---|
| Element | Fixed-charge back plate, permanently polarized condenser |
| Polar pattern | Cardioid |
| Frequency response | 20 - 20,000 Hz |
| Low frequency roll-off | 80 Hz, 18 dB/octave |
| Open circuit sensitivity | -34 dB (19.9 mV) (0dB=1V/Pa, 1kHz) |
| Impedance | 50 ohms |
| Maximum input sound level | 130 dB SPL (1kHz at 1% THD) |
| Noise | 26 dB SPL (A-weighted) |
| Dynamic range | 104 dB (1kHz at Max SPL) |
| Signal-to-noise ratio | 68 dB (1kHz at 1Pa, A-weighted) |
| Phantom power requirements | 11 - 52 V DC, 9.3 mA |
| Switches | Low cut: on/off; Switch function: touch on/off, momentary on, momentary off; Control: local, remote, LED remote |
| Weight | 253 g (8.9 oz) |
| Dimensions | 23 mm (0.91") × 83.9 mm (3.3") × 108 mm (4.25") (H×W×D) |
| Output connector | TB5M-type (Microphone) Unterminated-type (Cable) |
| Optional interchangeable elements | UE-O omnidirectional (360°), UE-H hypercardioid (100°) |
| Included accessories | 7.6 m (24.9') Microphone cable (TA5F, unterminated), Pouch |

• 1 Pascal = 10 dynes/cm² = 10 microbars = 94 dB SPL
For product improvement, the product is subject to modification without notice.

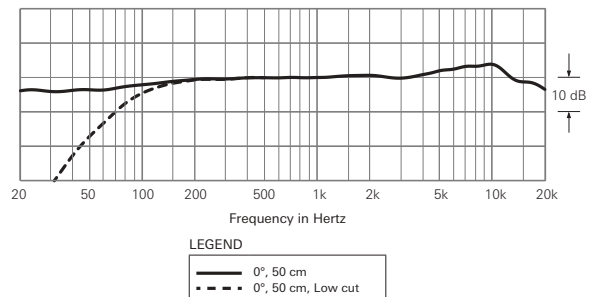
Included accessories



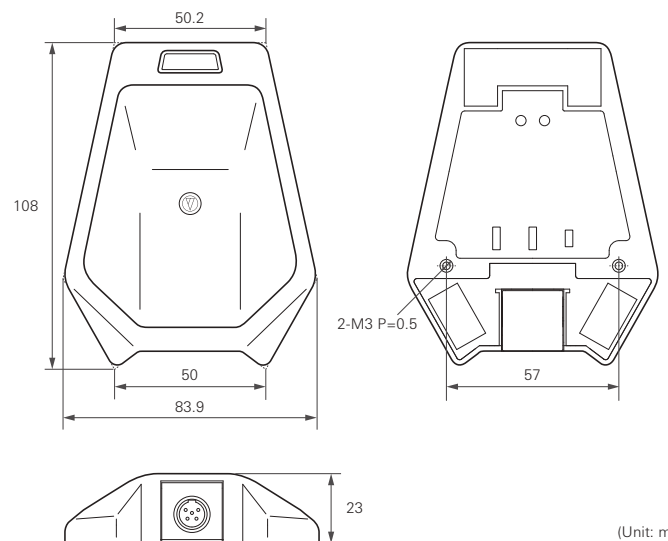
Polar pattern



Frequency response



Dimensions



(Unit: mm)

Audio-Technica Corporation
2-46-1 Nishi-naruse, Machida, Tokyo 194-8666, Japan
©2019 Audio-Technica Corporation
Global Support Contact: www.at-globalsupport.com
Made in Japan