

# ControlCenter CC-1 zone controller



## Product Description

Bose® ControlCenter CC-1 zone controllers provide volume control for FreeSpace®, PowerShare, and ControlSpace® products. They are available in either black or white and fit 1-gang electrical boxes in North America, Europe, and Japan. The zone controllers use Cat 5 wiring and can be daisy-chained using the two RJ-45 connectors for simplified wiring.

## Key Features

- **ControlCenter Series** – Remote end-user interfaces for use with Bose FreeSpace® amplifiers, PowerShare amplifiers and ControlSpace®, processors. Three control configurations offer volume control (CC-1), volume plus A/B source selection (CC-2) and volume plus A/B/C/D source selection (CC-3).
- **Variant Options** – Available in white or black and is offered in North American, Japanese, and EU form-factors to adapt to common electrical box sizes.
- **Support for Decora®-style wall plates** – North American and Japanese models are designed for use with Decora-style wall plate covers (not included). The 86×86 mm European model is supplied as a finished wall plate that supports 60 mm screw spacing.
- **Custom Labels** – Each zone controller includes a sheet of pre-printed labels, with two blanks for custom labeling.
- **Optional CV41 4-to-1 converter** – Simplify cabling of up to four CC-1 controllers by creating a single homerun back to the amplifier.

## Technical Specifications

Electrical	
Connectors	Two (2) RJ-45, allows for daisy-chaining, TIA/EIA 568B wiring standard
Settings	Channel selection via 8 DIP switch bank
Type	Passive controller, linear potentiometer 0- 10 kΩ
Cable Requirement	Cat 5
Maximum Cable Length	609 m (2000 ft) for FreeSpace and PowerShare amplifiers 152 m (500 ft) for ControlSpace processors, using shielded cable 30 m (100 ft) for ControlSpace processors, using unshielded cable
Physical	
Colors	Black or White
Electrical Box Size	1-gang
General	
Product Codes	768932-0110 ControlCenter CC-1 US Black 768932-0210 ControlCenter CC-1 US White 768932-2110 ControlCenter CC-1 EU Black 768932-2210 ControlCenter CC-1 EU White 768932-3110 ControlCenter CC-1 JP Black 768932-3210 ControlCenter CC-1 JP White
Compatible With	FreeSpace IZA 250-LZ amplifier¹ FreeSpace IZA 190-HZ amplifier¹ FreeSpace IZA 2120-LZ/HZ amplifiers FreeSpace ZA 2120-LZ/HZ amplifiers FreeSpace DXA 2120 amplifier PowerShare PS602 amplifier PowerShare PS604 amplifier ControlSpace ESP-00 II engineered sound processor ControlSpace ESP-880, ESP-1240 engineered sound processors ControlSpace ESP-4120, ESP-1600 engineered sound processors
Box Contents	(1) controller, (1) color-matched pre-printed label sheet, (2) mounting screws, (1) installation guide



## Applications

- Retail stores
- Restaurants and bars
- Hospitality venues
- Religious and worship facilities
- Auxiliary zones

# ControlCenter CC-1 zone controller



## Connector Panel

**Label area:**  
For preprinted (included) or custom labels.

**DIP switches:**  
Channel(s) and device settings for use with FreeSpace, PowerShare, or ControlSpace products. See CC-1 Installation Guide for more details.

**Volume knob:**  
Linear-taper 10 kΩ potentiometer. Full clockwise is maximum output (10 kΩ), full counterclockwise is mute (0 Ω).

**Device connection:**  
Parallel RJ-45 connections, daisy-chainable.



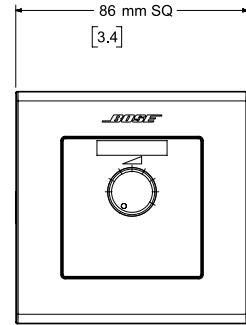
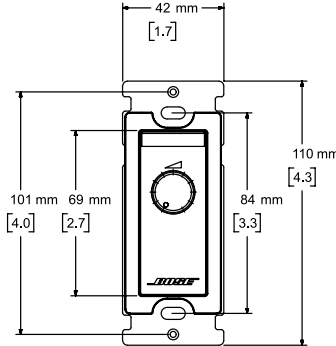
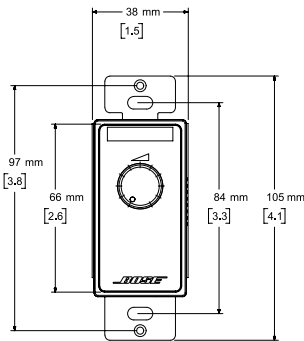
## Mechanical Files

CC-1, US

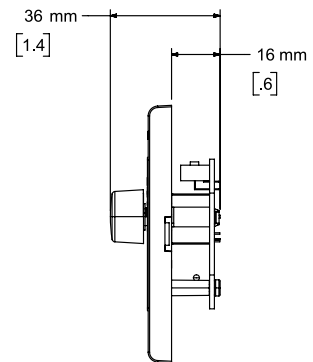
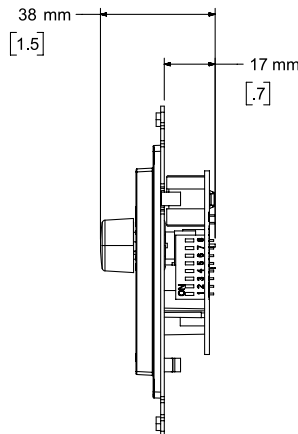
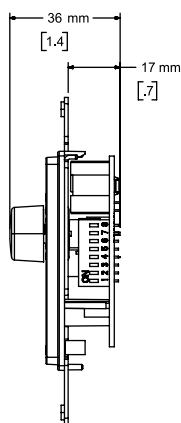
CC-1, Japan

CC-1, EU

Front



Side



**Footnote:**  
1 Operates with a fixed input (B).

All information subject to change without notice.  
© 2016 Bose Corporation  
All trademarks are those of their respective owners.