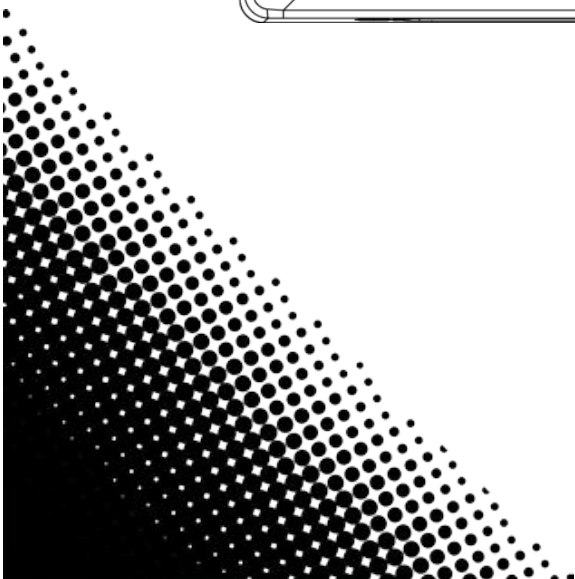
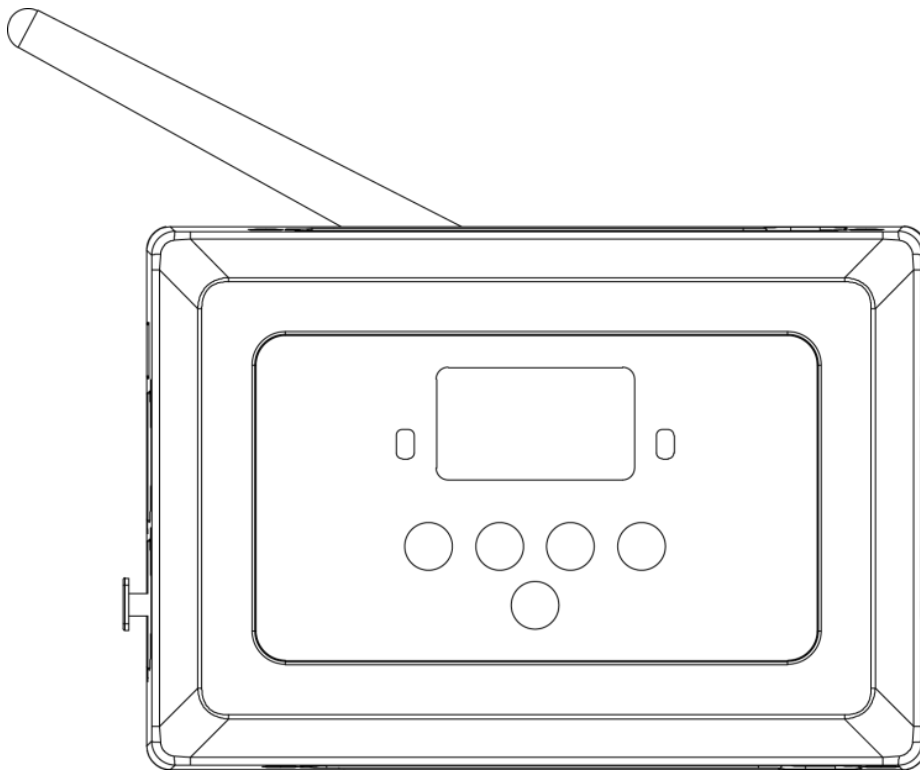




## Quick Reference Guide



**About this Guide** The D-Fi™ Hub Quick Reference Guide (QRG) has basic product information such as mounting and programming options. For more information, download the User Manual from the Chauvet website: <http://www.chauvetlighting.com/product-manuals-literature/>.

**Disclaimer** The information and specifications contained in this QRG are subject to change without notice.

**Safety Notes** These Safety Notes include important information about installation, use, and maintenance.



- Always connect the product to a grounded circuit.
- Make sure the power cord is not crimped or damaged.
- Always disconnect the product from the power source before cleaning it.
- Never disconnect the product from the power source by pulling or tugging on the cord.
- If mounting the product overhead, make sure there is adequate support for the product's weight and always secure the product using a safety cable.
- Make sure there are no flammable materials close to the product when it is operating.
- Avoid direct eye exposure to the light sources while the product is on.
- Do not touch the product's housing when the product is operating because the housing can be very hot.



- The product is not intended for permanent installation.
- The product is for indoor use only! It is rated at IP20.
- To prevent risk of fire or shock, do not expose the product to rain or moisture.
- Always make sure that the voltage of the power source to which the product is connected is within the range stated on the label or rear panel of the product.
- Never connect the product to a dimmer or rheostat.
- Always install the product in a location with adequate ventilation, and leave at least 20 in (50 cm) between the product and adjacent surfaces.
- The maximum ambient temperature (Ta) in which the product can be used is 104 °F (40 °C). Do not operate the product at higher temperatures.
- Be sure that no ventilation slots on the product's housing are blocked.
- Never carry the product by the power cord or any moving part.
- In the event of a serious operating problem, stop using the product immediately.
- Never try to repair the product. Repairs carried out by unskilled people can lead to damage or malfunction. Contact the nearest authorized technical assistance center.
- To eliminate wear and improve its lifespan, during periods of non-use completely disconnect from power via breaker or by unplugging it.

**Contact**

- From outside the U.S., UK, Ireland, Mexico, or Belgium, contact the distributor of record to request support or return a product.
- From inside the U.S., UK, Ireland, Mexico, or Belgium, use the information in [Contact Us](#) at the end of this QRG.

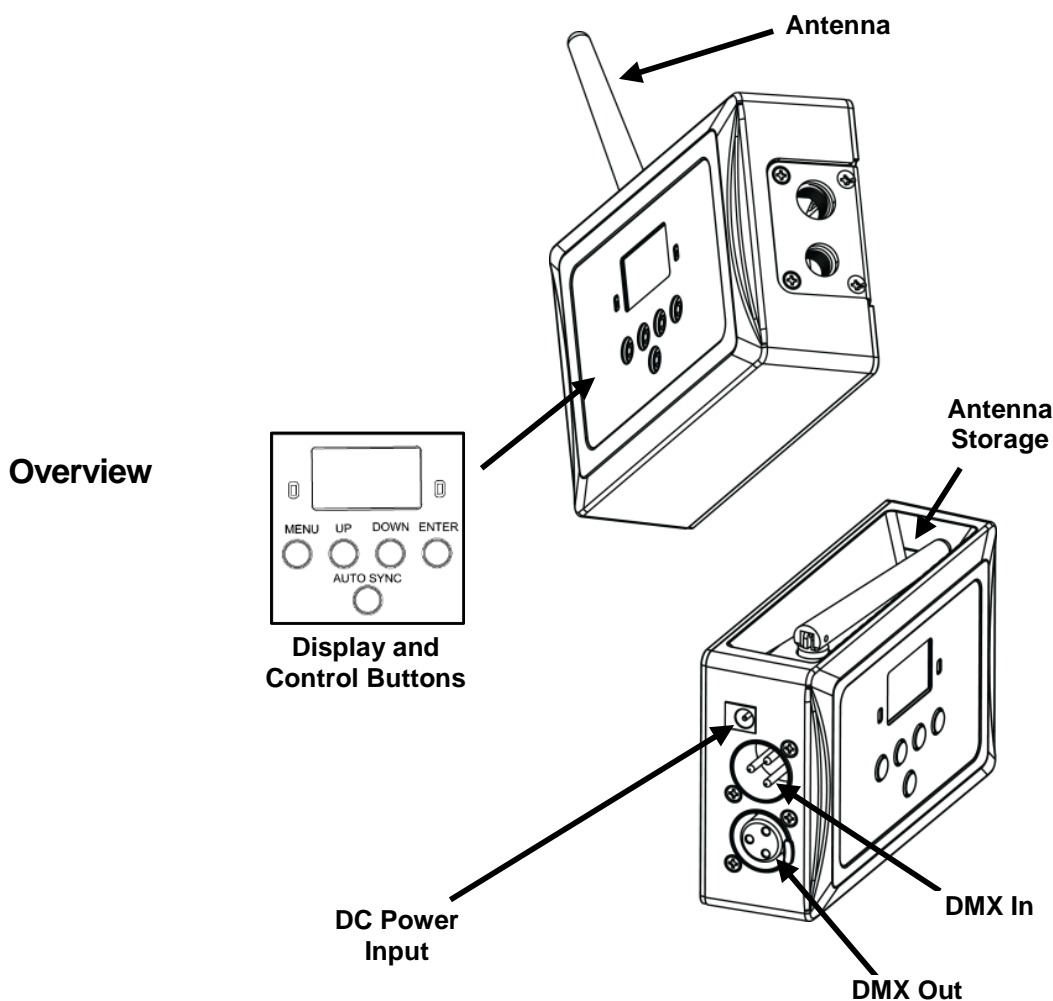
- What is Included**
- D-Fi™ Hub
  - Power Supply
  - Warranty card
  - Quick Reference Guide

**To Begin** Carefully unpack the product and check that all the parts are in the package, and are in good condition.

If the box, or any of the contents, appear damaged from shipping, or show signs of mishandling, save all packaging and file a claim with the carrier immediately, do not notify Chauvet. Failure to report damage to the carrier immediately, or failure to have all packaging available for inspection, could invalidate your claim.

For other issues, such as missing components or parts, damage not related to shipping, or concealed damage, file a claim with Chauvet within 7 days of delivery. For information on contacting Chauvet, see the [Contact Us](#) section of this manual.

**Description** The D-Fi™ Hub is a transmitter and receiver that either receives D-Fi™ signals and transmits via a DMX cable, or receives data via a DMX cable and transmits D-Fi™ signals. It wirelessly synchronizes an unlimited number of D-Fi™-ready fixtures and receivers simultaneously. It is small and compact with sturdy antenna. Built-in options include manual or automatic channel selection. Mounting options include a built-in hook and loop fastener strap, keyhole mounting holes and threaded mounting holes. The D-Fi™ Hub is fully FCC/RTTE compliant.

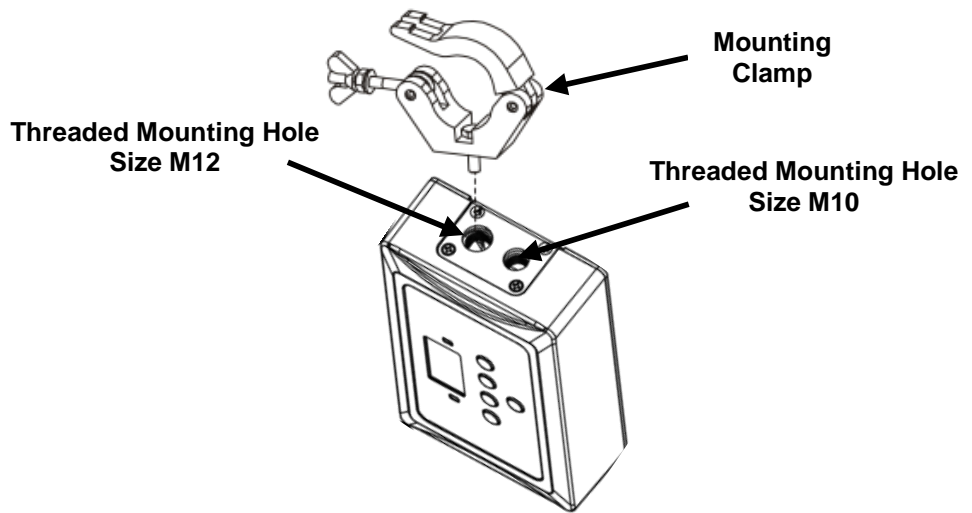


**AC Power** D-Fi™ Hub has an external auto-ranging power supply that works with an input voltage range of 100 to 240 VAC, 50/60 Hz. It runs on 9 VDC, 500 mA.

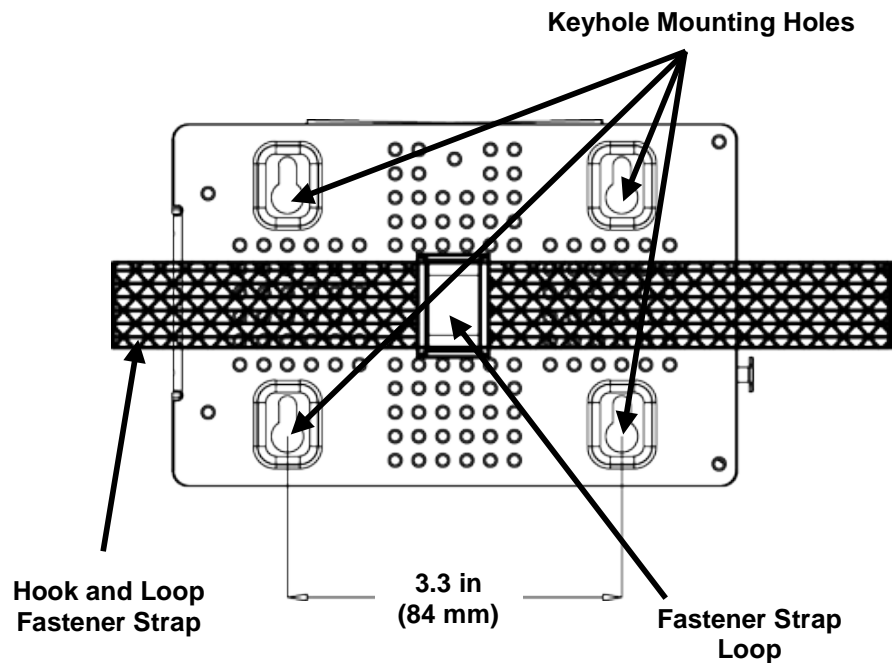


To eliminate wear and improve its lifespan, during periods of non-use completely disconnect from power via breaker or by unplugging it.

**Mounting** Before mounting this product, read the Safety Notes above. Make sure the mounting clamps (such as **CLP-15** clamp from Chauvet) are capable of supporting the weight of the product. For our CHAUVET® line of mounting clamps, go to [www.chauvetlighting.com/cables-clamps-main.html](http://www.chauvetlighting.com/cables-clamps-main.html).



**Mounting Diagram**



Control Panel Description	Button	Function
		<MENU>
	<UP>	Navigates upwards through the sub-menu list or increases numeric values
	<DOWN>	Navigates downwards through the sub-menu list or decreases numeric values
	<ENTER>	Enables the currently displayed menu or sets the currently selected value.
	<AUTO SYNC>	Detects the D-Fi™ signal for synchronization of products

### Menu Options

Main Function	Programming Options		Description
Settings	Receive Manual	CH01–16	Allows selection of a specific D-Fi™ channel for receiving signal
	Transmit Manual	CH01–16	Allows selection of a specific D-Fi™ channel for transmitting signal
	Receive Auto		Triggers the D-Fi™ Hub to auto-select a channel for receiving signal
	Transmit Auto		Triggers the D-Fi™ Hub to auto-select a channel for transmitting signal

**Configuration** The D-Fi™ Hub can be used two ways:

- It can be connected to any DMX controller and transmit to D-Fi™-compatible lights.
- It can be connected to any DMX lights and receive from a D-Fi™-compatible controller.

**Programming and Signal Selection** To connect the D-Fi™ Hub to a DMX controller and configure it to transmit to D-Fi™-compatible lights, do the following:

1. Connect the hub to the controller using a DMX cable.
2. Connect the hub to power.
3. If the display shows **Transmit Manual <CHXX>**, where *XX* is a value between **01** and **16**, the hub is already configured for manual transmission.
4. Press **<MENU>** and the display shows **Settings** with 2 words underneath.
5. Press **<ENTER>** and the 2 words become highlighted.
6. Use **<UP>** or **<DOWN>** to cycle through the highlighted options until the display shows **Transmit Manual**.

**Note: Selecting Transmit Auto automatically detects a transmission signal when used in conjunction with <AUTO SYNC>.**

7. Press **<ENTER>** and the display shows **Transmit Manual** with **<CHXX>** highlighted, where *XX* is a value between **01** and **16**.
8. Use **<UP>** or **<DOWN>** to cycle through the highlighted channel options and select the channel to use for D-Fi™ transmission.
9. Press **<ENTER>** and the display shows **Transmit Manual <CHXX>**, where *XX* is the channel selected in step 8.

The hub is now configured for manual signal transmission.

**NOTE: All the lights must be set to the D-Fi™ channel shown on the hub's display.**

To connect the D-Fi™ Hub to any DMX lights and configure it to receive D-Fi™ signals from a D-Fi™-compatible hub, do the following:

1. Connect the hub to the lights using a DMX cable.
2. Connect the hub to power.
3. If the display shows **Receive Manual <CHXX>**, where *XX* is a value between **01** and **16**, the hub is already configured for manual reception.
4. Press **<MENU>** and the display shows **Settings** with 2 words underneath.
5. Press **<ENTER>** and the 2 words become highlighted.
6. Use **<UP>** or **<DOWN>** to cycle through the highlighted options until the display shows **Receive Manual**.

**Note: Selecting Receive Auto automatically detects a receiving signal when used in conjunction with <AUTO SYNC>.**

7. Press **<ENTER>** and the display shows **Receive Manual** with **<CHXX>** highlighted, where *XX* is a value between **01** and **16**.
8. Use **<UP>** or **<DOWN>** to cycle through the highlighted channel options and select the channel to use for D-Fi™ reception.
9. Press **<ENTER>** and the display shows **Receive Manual <CHXX>**, where *XX* is the channel number selected in step 8.

The hub is now configured for manual signal reception.

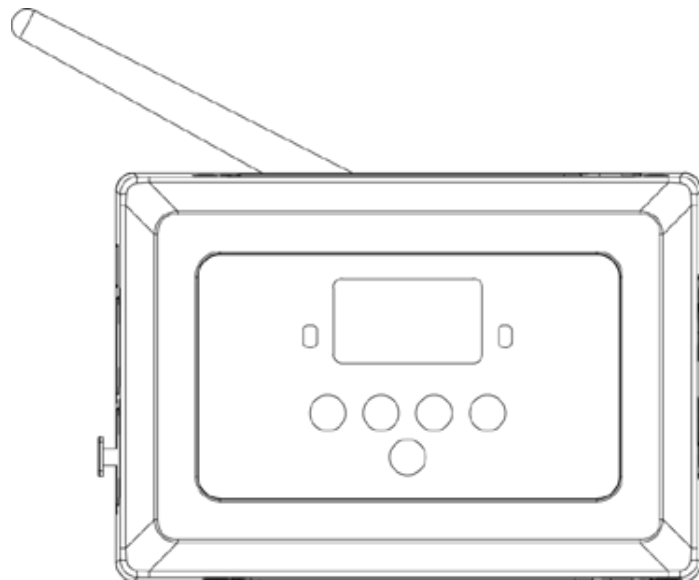
**NOTE: The controller must be set to the D-Fi™ channel shown on the hub's display.**

Information about using D-Fi™ lights and controllers is in the product manuals at the Chauvet website: <http://www.chauvetlighting.com/product-manuals-literature/>.

Information about DMX is in the Chauvet DMX Primer at: [http://www.chauvetlighting.com/downloads/DMX\\_Primer\\_rev05\\_WO.pdf](http://www.chauvetlighting.com/downloads/DMX_Primer_rev05_WO.pdf).



## User Manual



**CHAUVET®**

---

# TABLE OF CONTENTS

<b>1. Before you Begin .....</b>	<b>3</b>
What Is Included.....	3
Unpacking Instructions .....	3
Claims.....	3
Text Conventions.....	3
Symbols .....	3
Disclaimer .....	3
Product at a Glance.....	4
Safety Notes .....	4
<b>2. Introduction.....</b>	<b>5</b>
Product Overview .....	5
Product Dimensions .....	6
<b>3. Setup.....</b>	<b>7</b>
AC Power.....	7
Mounting.....	7
Orientation .....	7
Rigging.....	7
<b>4. Operation.....</b>	<b>8</b>
Control Panel Operation .....	8
Menu Map.....	8
Configuration .....	8
Programming and Signal Selection .....	9
<b>5. Technical Information.....</b>	<b>10</b>
Technical Specifications .....	10
Returns .....	11
<b>Contact Us.....</b>	<b>12</b>



# 1. BEFORE YOU BEGIN

## What Is Included

- D-Fi™ Hub
- Power Supply
- Warranty Card
- Quick Reference Guide

## Unpacking Instructions

Carefully unpack the product immediately and check the container to make sure all the parts are in the package and are in good condition.

## Claims




If the box or the contents (the product and included accessories) appear damaged from shipping, or show signs of mishandling, notify the carrier immediately, not Chauvet. Failure to report damage to the carrier immediately may invalidate your claim. In addition, keep the box and contents for inspection.

For other issues, such as missing components or parts, damage not related to shipping, or concealed damage, file a claim with Chauvet within 7 days of delivery.

## Text Conventions

Convention	Meaning
<b>1-512</b>	A range of values
<b>50/60</b>	A set of values of which only one can be chosen
<b>Settings</b>	A menu option not to be modified
<b>Menu &gt; Settings</b>	A sequence of menu options to be followed
<b>&lt;ENTER&gt;</b>	A key to be pressed on the product's control panel
<b>ON</b>	A value to be entered or selected

## Symbols

Symbol	Meaning
	Critical installation, configuration, or operation information. Not following these instructions may make the product not work, cause damage to the product, or cause harm to the operator.
	Important installation or configuration information. The product may not function correctly if this information is not used.
	Useful information.

## Disclaimer

The information and specifications contained in this document are subject to change without notice. Chauvet assumes no responsibility or liability for any errors or omissions that may appear in this manual. Chauvet reserves the right to update the existing document or to create a new document to correct any errors or omissions.

You can download the latest version of this document from [www.chauvetlighting.com](http://www.chauvetlighting.com).

© **Copyright 2015 Chauvet. All rights reserved**

Electronically published by Chauvet in the United States of America

Author	Date	Editor	Date
M. Trouard	12/12/2014	A. Leon	01/16/15

## Product at a Glance

Use on Dimmer	X	Auto Programs	X
Outdoor Use	X	9 VDC, 500 mA (100 to 240 VAC, 50/60 Hz)	P
Sound-Activated	X	Replaceable Fuse	X
DMX	P	User-Serviceable	X
Master/Slave	X	Duty Cycle	X

## Safety Notes

Please read the following Safety Notes carefully before working with this product. They include important safety information about its installation, usage, and maintenance.



- Always connect this product to a grounded circuit to avoid the risk of electrocution.
- Make sure the power cord is not crimped or damaged.
- Never disconnect this product from power cord by pulling or tugging on the cord.
- If mounting this product overhead, always secure it to a fastening device using a safety cable.
- Make sure there are no flammable materials close to the unit while operating.



- Always make sure that the voltage of the outlet to which you are connecting this product is within the range stated on the decal or rear panel of the product.
- This product is for indoor use only! (IP20) To prevent risk of fire or shock, do not expose this product to rain or moisture.
- Never connect this product to a dimmer.
- Never carry this product from the power cord or any moving part.
- The maximum ambient temperature is 104 °F (40 °C). Do not operate this product at higher temperatures.
- In the event of a serious operating problem, stop using the unit immediately.
- Never try to repair this product. Repairs carried out by unskilled people can lead to damage or malfunction. Please contact the nearest authorized technical assistance center.
- To eliminate unnecessary wear and improve its lifespan, during periods of non-use completely disconnect the product from power via the breaker or by unplugging it.

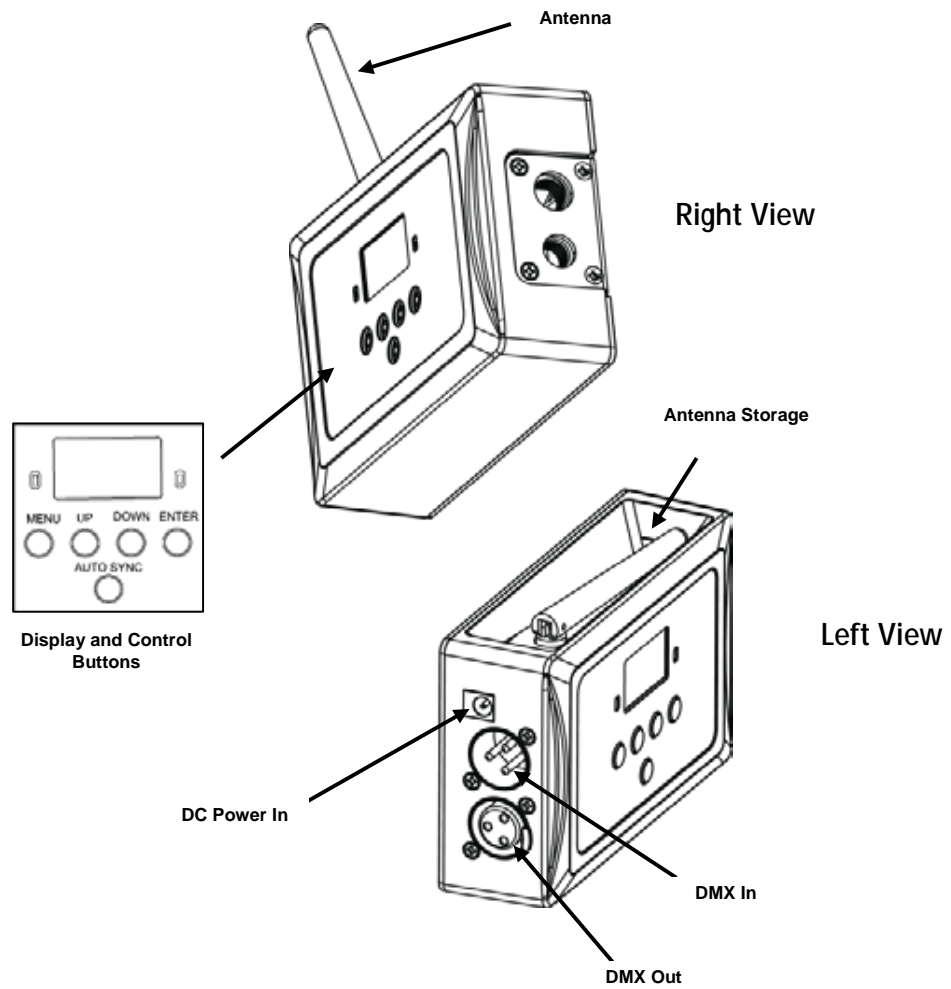


- Keep this User Manual for future consultation. If you sell this product to another user, be sure that they also receive this document.

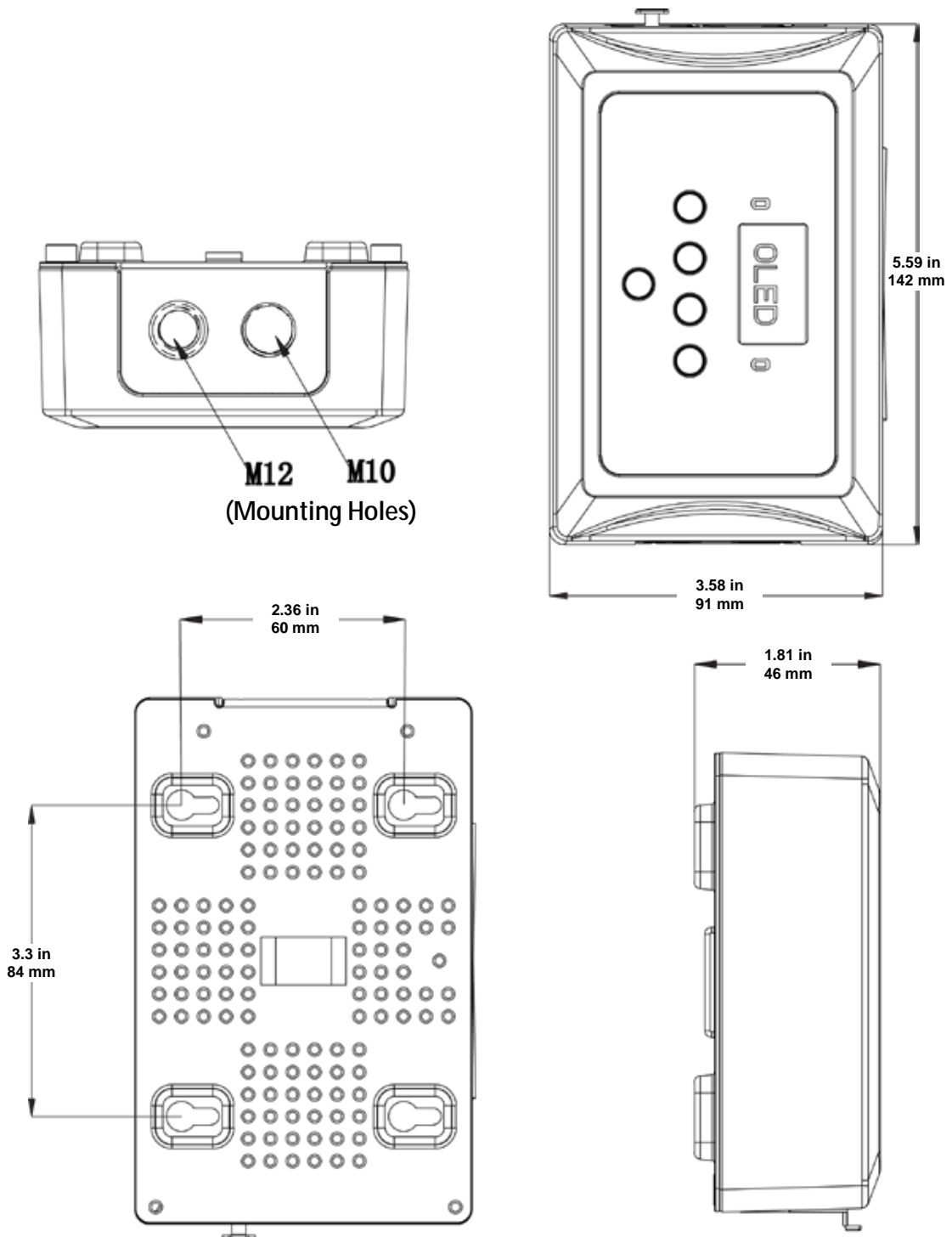
---

## 2. INTRODUCTION

### Product Overview



## Product Dimensions



## 3. SETUP

**AC Power** This product has an auto-ranging external power supply and it can work with an input voltage of 100 to 240 VAC, 50/60 Hz. It runs on 9 VDC, 500 mA.

To determine the power requirements for this product (power outlet and wiring), use the current value listed on the label affixed to the product's back panel, or refer to the product's specifications chart. The listed current rating indicates the product's average current draw under normal conditions.



**Always connect this product to a protected circuit (circuit breaker or fuse), making sure that it has an appropriate electrical ground to avoid the risk of electrocution or fire.**



**Never connect this product to a rheostat (variable resistor) or dimmer circuit, even if the rheostat or dimmer channel serves only as a 0 to 100% switch.**

**Mounting** Before mounting this product, read and follow the [Safety Notes](#).

**Orientation** The D-Fi™ Hub may be mounted in any position; however, make sure adequate ventilation is provided around the product.

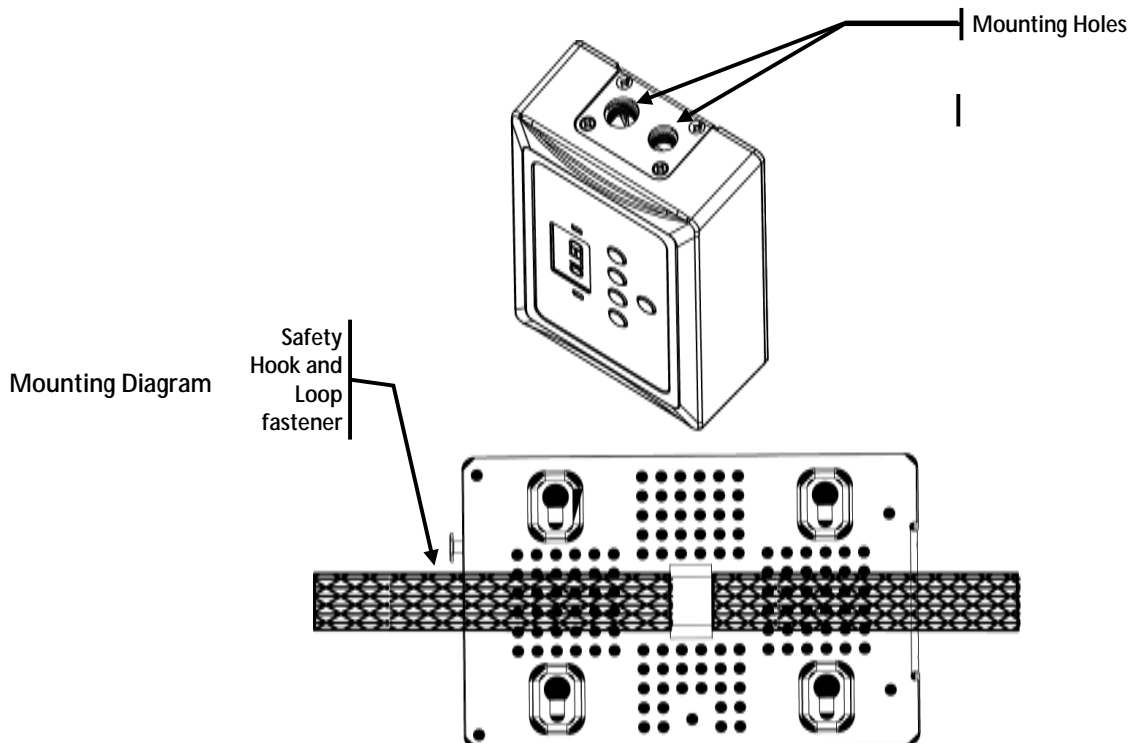
**Rigging** Before deciding on a location for this product, always make sure that it will be easy to access the unit for maintenance and programming purposes.

Make sure that the structure onto which you are mounting this product can support its weight. See the [Technical Specifications](#) for weight information.

When mounting this product overhead, always use a safety cable. Mount the product securely to a rigging point, whether an elevated platform or a truss.

When rigging this product onto a truss, you should use a mounting clamp of appropriate weight capacity.

The product also has 4 teardrop holes located on the back for easy wall mounting.



## 4. OPERATION

### Control Panel Operation

To access the control panel functions, use the four buttons located around the display. Please refer to the Product Overview to see the buttons location on the control panel.

Button	Function
<MENU>	Press to find an operation mode or to back out of the current menu option
<UP>	Press to scroll up the list of options or to find a higher value
<DOWN>	Press to scroll down the list of options or to find a lower value
<ENTER>	Press to activate a menu option or a selected value
<AUTO>	Detects the D-Fi™ signal for synchronization of products

### Menu Map

Main Function	Programming Steps		Description
Settings	Receive Mode	CH01-016	Allows selection of a specific D-Fi™ channel for receiving signal
	Transmit Mode	CH01-016	Allows selection of a specific D-Fi™ channel for transmitting signal
	Receive Auto		Triggers the D-Fi™ Hub to auto-select a channel for receiving signal
	Transmit Auto		Triggers the D-Fi™ Hub to auto-select a channel for transmitting signal

### Configuration

The D-Fi™ Hub can be used two ways:

- It can be connected to any DMX controller and transmit to D-Fi™-compatible lights.
- It can be connected to any DMX lights and receive from a D-Fi™-compatible controller.

To set this product in DMX mode:

1. Connect this product to a suitable power outlet.
2. Connect a DMX cable from the DMX output of the DMX controller to the DMX input socket of this product.



**You can sync an unlimited amount of Receivers to one Transmitter.**



**To ensure strong signals, the units should be elevated 5 feet or higher off the ground and remain in an unobstructed line of sight of each other.**



**For the best results, add individual receivers using Manual mode to ensure you can select the same channel for the additional products.**

---

## Programming and Signal Selection

To connect the D-Fi™ Hub to a DMX controller and configure it to transmit to D-Fi™-compatible lights, do the following:

1. Connect the hub to the controller using a DMX cable.
2. Connect the hub to power.

If the display shows **Transmit Manual <CHXX>**, where **XX** is a value between **01** and **16**, the hub is already configured for manual transmission.

3. Press **<MENU>** and the display shows **Settings** with 2 words underneath.
4. Press **<ENTER>** and the 2 words become highlighted.
5. Use **<UP>** or **<DOWN>** to cycle through the highlighted options until the display shows **Transmit Manual**.

**Note: Selecting Transmit Auto automatically detects a transmission signal when used in conjunction with <AUTO SYNC>.**

6. Press **<ENTER>** and the display shows **Transmit Manual** with **<CHXX>** highlighted, where **XX** is a value between **01** and **16**.
7. Use **<UP>** or **<DOWN>** to cycle through the highlighted channel options and select the channel to use for D-Fi™ transmission.
8. Press **<ENTER>** and the display shows **Transmit Manual <CHXX>**, where **XX** is the channel selected in step 8.

The hub is now configured for manual signal transmission.

**NOTE: All the lights must be set to the D-Fi™ channel shown on the hub's display.**

To connect the D-Fi™ Hub to any DMX lights and configure it to receive D-Fi™ signals from a D-Fi™-compatible hub, do the following:

1. Connect the hub to the lights using a DMX cable.
2. Connect the hub to power.

If the display shows **Receive Manual <CHXX>**, where **XX** is a value between 01 and 16, the hub is already configured for manual reception.

3. Press **<MENU>** and the display shows **Settings** with 2 words underneath.
4. Press **<ENTER>** and the 2 words become highlighted.
5. Use **<UP>** or **<DOWN>** to cycle through the highlighted options until the display shows **Receive Manual**.

**Note: Selecting Receive Auto automatically detects a receiving signal when used in conjunction with <AUTO SYNC>.**

6. Press **<ENTER>** and the display shows **Receive Manual** with **<CHXX>** highlighted, where **XX** is a value between 01 and 16.
7. Use **<UP>** or **<DOWN>** to cycle through the highlighted channel options and select the channel to use for D-Fi™ reception.
8. Press **<ENTER>** and the display shows **Receive Manual <CHXX>**, where **XX** is the channel number selected in step 8.

The hub is now configured for manual signal reception.

**NOTE: The controller must be set to the D-Fi™ channel shown on the hub's display.**

Information about using D-Fi™ lights and controllers is in the product manuals at the Chauvet website <http://www.chauvetlighting.com/product-manuals-literature/>.

Information about DMX is in the CHAUVET® DMX Primer at [http://www.chauvetlighting.com/downloads/DMX\\_Primer\\_rev05\\_WO.pdf](http://www.chauvetlighting.com/downloads/DMX_Primer_rev05_WO.pdf).

---

# 5. TECHNICAL INFORMATION

## Technical Specifications

<b>Dimensions and Weight</b>	<b>Length</b>	<b>Width</b>	<b>Height</b>	<b>Weight</b>
	5.59 in (142 mm)	3.58 in (91 mm)	1.81 in (46 mm)	1.2 lb (0.6 kg)
<b>Note:</b> Dimensions in inches rounded to the nearest decimal digit.				
<b>Power</b>	<b>Power Supply Type</b>	<b>Range</b>	<b>Input Voltage</b>	
	External	100 to 240 V, 50/60 Hz	9 VDC, 500 mA	
<b>Wireless</b>	<b>RF Output</b>	<b>Refresh Rate</b>	<b>Frequency Range</b>	
	18.5 dbm max range 656 ft (200 m)	40 Hz/s	2.412 to 2.484 GHz	
<b>Thermal</b>	<b>Maximum External Temp.</b>	<b>Cooling System</b>		
	104 °F (40 °C)	Convection		
<b>DMX</b>	<b>I/O Connectors</b>	<b>Connector Type</b>		
	3-XLR	Socket		
<b>Ordering</b>	<b>Product Name</b>	<b>Item Code</b>	<b>UPC Number</b>	
	D-Fi™ Hub	03080816	781462211646	





---

To return a product or request support:

- If you live in the U.S., contact Chauvet World Headquarters (see [Contact Us](#)).
- If you live in the UK or Ireland, contact Chauvet Europe Ltd.(see [Contact Us](#)).
- If you live in Mexico, contact Chauvet Mexico (see [Contact Us](#)).
- If you live in any other country, DO NOT contact Chauvet. Instead, contact your distributor of record. Refer to our Web site for contact details of distributors outside the US, United Kingdom, or Ireland.



**If you live outside the U.S., United Kingdom, or Ireland, contact your distributor of record and follow their instructions on how to return Chauvet products to them. Visit our Web site for contact details.**

## Returns

Call the corresponding Chauvet Tech Support office and request a Return Merchandise Authorization (RMA) number before shipping the product. Be prepared to provide the model number, serial number, and a brief description of the cause for the return.

You must send the merchandise prepaid, in its original box, and with its original packing and accessories. Chauvet will not issue call tags.

Clearly label the package with the RMA number. Chauvet will refuse any product returned without an RMA number.



**DO NOT write the RMA number directly on the box. Instead, write it on a properly affixed label.**

Before sending the product, clearly write the following information on a piece of paper and place it inside the box:

- Your name
- Your address
- Your phone number
- RMA number
- A brief description of the problem

Be sure to pack the product properly. Any shipping damage resulting from inadequate packaging will be your responsibility. FedEx packing or double-boxing are recommended.



**Chauvet reserves the right to use its own discretion to repair or replace returned product(s).**

---

## CONTACT US

### WORLD HEADQUARTERS - Chauvet

#### General Information

**Address:** 5200 NW 108th Avenue  
Sunrise, FL 33351  
**Voice:** (954) 577-4455  
**Fax:** (954) 929-5560  
**Toll free:** (800) 762-1084

#### Technical Support

**Voice:** (954) 577-4455 (Press 4)  
**Fax:** (954) 756-8015  
**Email:** [tech@chauvetlighting.com](mailto:tech@chauvetlighting.com)

**World Wide Web** [www.chauvetlighting.com](http://www.chauvetlighting.com)

### UNITED KINGDOM AND IRELAND - Chauvet Europe Ltd.

#### General Information

**Address:** Unit 1C  
Brookhill Road Industrial Estate  
Pinxton, Nottingham, UK  
NG16 6NT  
**Voice:** +44 (0)1773 511115  
**Fax:** +44 (0)1773 511110

#### Technical Support

**Email:** [uktech@chauvetlighting.com](mailto:uktech@chauvetlighting.com)

**World Wide Web** [www.chauvetlighting.co.uk](http://www.chauvetlighting.co.uk)

### MEXICO - Chauvet Mexico

#### General Information

**Address:** Av. Santa Ana 30  
Parque Industrial Lerma  
Lerma, Mexico C.P. 52000  
**Voice:** +52 (728) 285-5000

#### Technical Support

**Email:** [servicio@chauvet.com.mx](mailto:servicio@chauvet.com.mx)

**World Wide Web** [www.chauvet.com.mx](http://www.chauvet.com.mx)

Outside the U.S., United Kingdom, Ireland, or Mexico, contact the dealer of record and follow their instructions to request support or to return a product. Visit the Chauvet website for contact information.