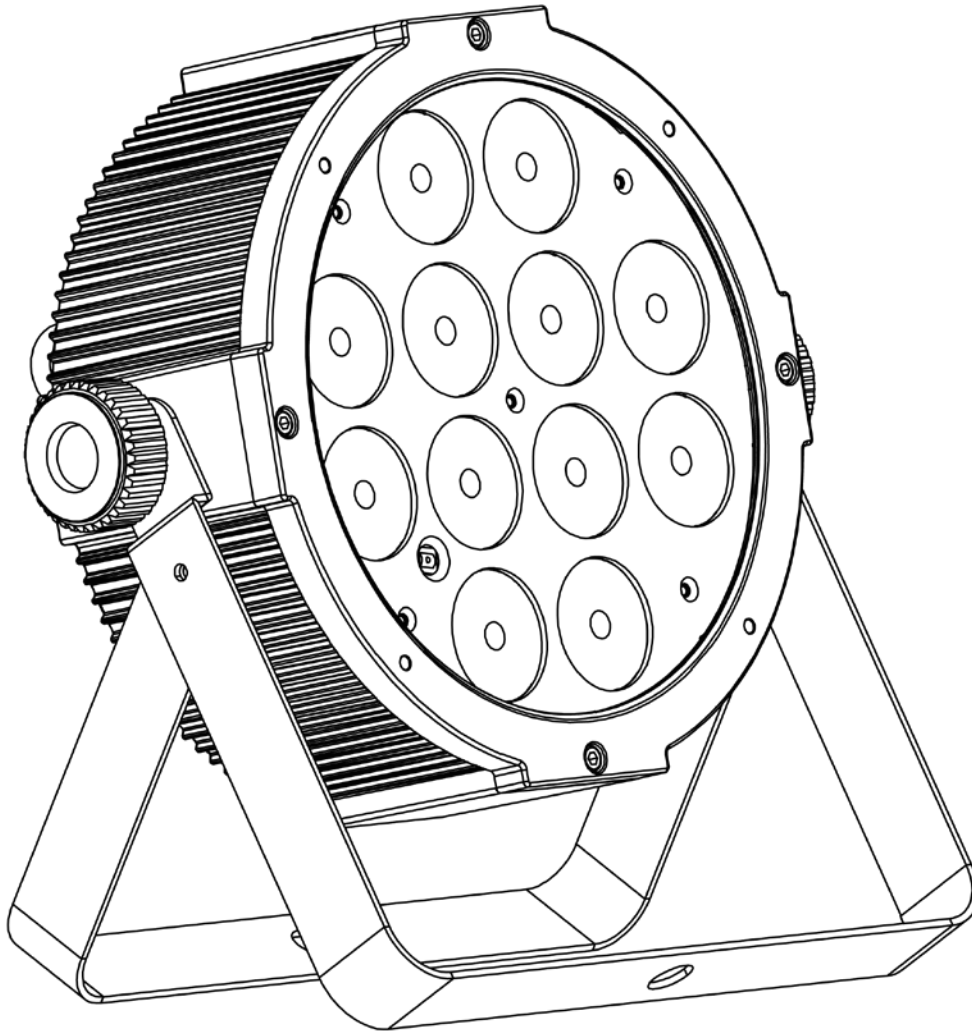


# Slim**PAR**™ QUAD **12 IRC**

## User Manual



**CHAUVET**®  
*Value · Innovation · Performance*  
It's  
**Green Thinking.**

---

# TABLE OF CONTENTS

<b>1. Before You Begin .....</b>	<b>3</b>
What Is Included .....	3
Unpacking Instructions .....	3
Claims .....	3
Text Conventions .....	3
Symbols .....	3
Disclaimer .....	3
Product at a Glance .....	4
Safety Notes .....	4
<b>2. Introduction .....</b>	<b>5</b>
Overview .....	5
Dimensions .....	6
<b>3. Setup .....</b>	<b>7</b>
AC Power .....	7
Fuse Replacement .....	7
Power Linking .....	8
Mounting .....	9
Orientation .....	9
Rigging .....	9
<b>4. Operation .....</b>	<b>10</b>
Control Panel Operation .....	10
Menu Map .....	10
Configuration (DMX) .....	11
Starting Address .....	11
DMX Channel Modes, Assignments, and Values .....	11
8-Channel .....	11
4-Channel .....	11
Configuration (Standalone) .....	12
Sound-Active Mode .....	12
Automatic Mode .....	12
Static Mode .....	12
Custom Static Colors .....	12
Master/Slave Mode .....	13
Infrared Remote Control .....	13
IRC (Infrared Remote Control) Operation .....	14
<b>5. Technical Information .....</b>	<b>15</b>
Product Maintenance .....	15
<b>6. Technical Specifications .....</b>	<b>16</b>
Returns .....	17
Contact Us .....	17

# 1. BEFORE YOU BEGIN

## What Is Included

- SlimPAR™ QUAD 12 IRC
- Power Cord
- Gel Frame
- Warranty Card
- Quick Reference Guide

## Unpacking Instructions

Carefully unpack the product immediately and check the container to make sure all the parts are in the package and are in good condition.

## Claims




If the box or the contents (the product and included accessories) appear damaged from shipping, or show signs of mishandling, notify the carrier immediately, not CHAUVET®. Failure to report damage to the carrier immediately may invalidate your claim. In addition, keep the box and contents for inspection.

For other issues, such as missing components or parts, damage not related to shipping, or concealed damage, file a claim with CHAUVET® within 7 days of delivery.

## Text Conventions

Convention	Meaning
1–512	A range of values
50/60	A set of values of which only one can be chosen
<b>Settings</b>	A menu option not to be modified
<b>Menu &gt; Settings</b>	A sequence of menu options to be followed
<b>&lt;ENTER&gt;</b>	A key to be pressed on the product's control panel
<b>ON</b>	A value to be entered or selected

## Symbols

Symbol	Meaning
	Critical installation, configuration, or operation information. Not following these instructions may make the product not work, cause damage to the product, or cause harm to the operator.
	Important installation or configuration information. The product may not function correctly if this information is not used.
	Useful information.

## Disclaimer

The information and specifications contained in this User Manual are subject to change without notice. CHAUVET® assumes no responsibility or liability for any errors or omissions, and reserves the right to revise or recreate this manual at any time. Download the latest version from [www.chauvetlighting.com](http://www.chauvetlighting.com).

© Copyright 2013 CHAUVET®. All rights reserved.

Electronically published by CHAUVET® in the United States of America.

Author	Date	Editor	Date
A. Leon	06/05/13	T. Yeago	06/05/13

## Product at a Glance

Use on Dimmer	X	Auto Programs	P
Outdoor Use	X	Auto-ranging Power Supply	P
Sound-Activated	P	Replaceable Fuse	P
DMX	P	User-Serviceable	X
Master/Slave	P	Duty Cycle	X

## Safety Notes

These notes include important information about the mounting, usage, and maintenance of this product; read before using the product.



- Always connect the product to a grounded circuit to avoid the risk of electrocution.
- Always disconnect the product from the power source before cleaning or replacing the fuse.
- Avoid direct eye exposure to the light source while the product is on.
- Make sure the power cord is not crimped or damaged.
- Never disconnect the product from power by pulling or tugging on the cord.
- If mounting the product overhead, always secure to a fastening device using a safety cable.
- Make sure there are no flammable materials close to the product when operating.
- Do not touch the product's housing when operating because it may be very hot.



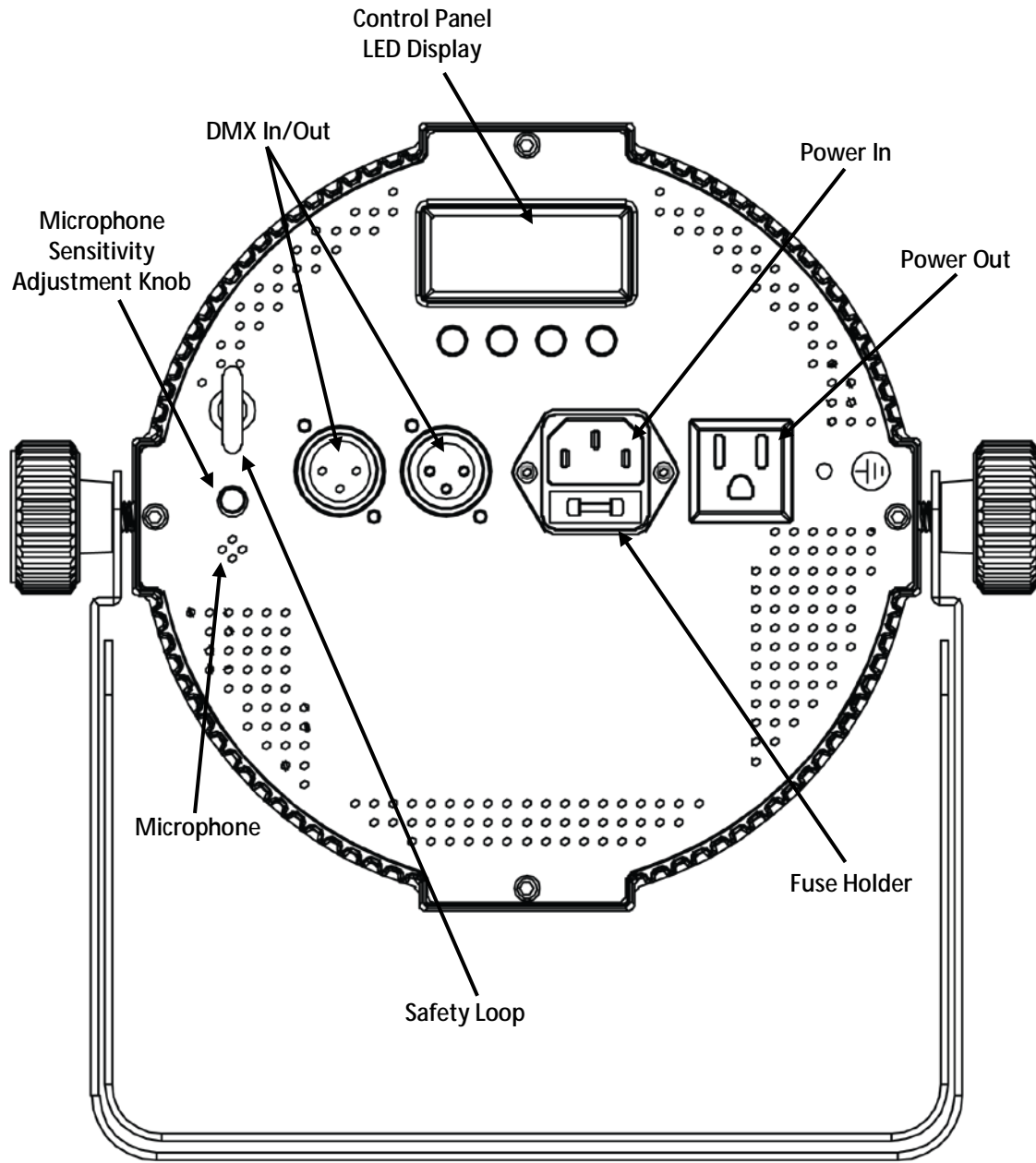
- Always make sure that the voltage of the outlet to which you are connecting the product is within the range stated on the decal or rear panel of the product.
- The product is for indoor use only! (IP20) To prevent risk of fire or shock, do not expose the product to rain or moisture.
- Always install the product in a location with adequate ventilation, at least 20 in (50 cm) from adjacent surfaces.
- Be sure that no ventilation slots on the product's housing are blocked.
- Never connect the product to a dimmer.
- Make sure to replace the fuse with another of the same type and rating.
- Never carry the product from the power cord or any moving part. Always use the hanging/mounting bracket or the handles.
- The maximum ambient temperature (Ta) is 104° F (40° C). Do not operate the product at higher temperatures.
- In the event of a serious operating problem, stop using the product immediately.
- Never try to repair the product. Repairs carried out by unskilled people can lead to damage or malfunction. Contact the nearest authorized technical assistance center.
- This product is not intended for permanent installation.



- Keep this User Manual for future use. If you sell the product to another user, be sure to give this document to the next owner.

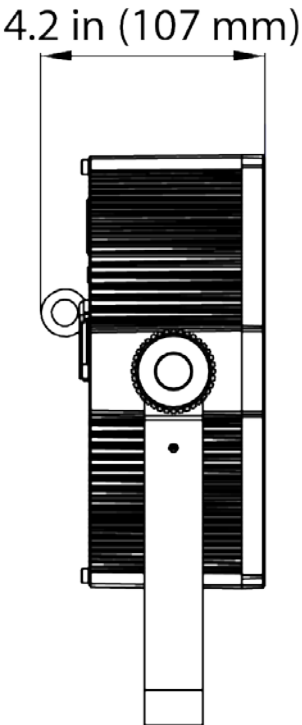
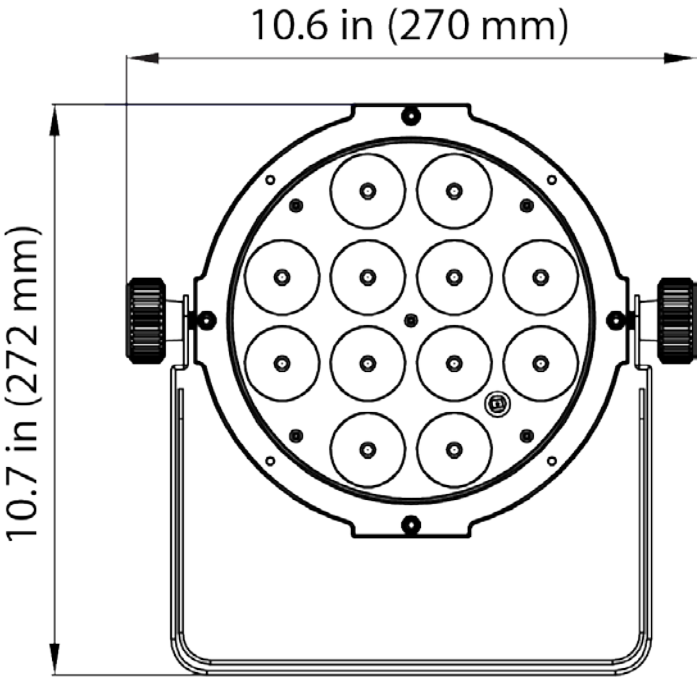
## 2. INTRODUCTION

### Overview



Back Panel View

**Dimensions**



## 3. SETUP

**AC Power** The SlimPAR™ QUAD 12 IRC has an auto-ranging power supply and it can work with an input voltage range of 100~240 VAC, 50/60 Hz.

To determine the product's power requirements (circuit breaker, power outlet, and wiring), use the current value listed on the label affixed to the product's back panel, or refer to the product's specifications chart. The listed current rating indicates the product's average current draw under normal conditions.



**Always connect the product to a protected circuit (circuit breaker or fuse). Make sure the product has an appropriate electrical ground to avoid the risk of electrocution or fire.**



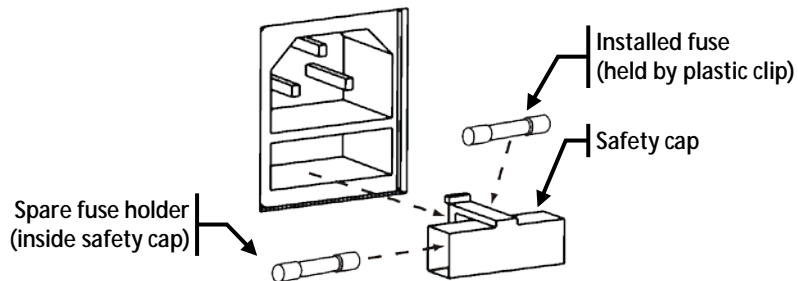
**Never connect the product to a rheostat (variable resistor) or dimmer circuit, even if the rheostat or dimmer channel serves only as a 0~100% switch.**

### Fuse Replacement



**Disconnect the product from power before replacing the fuse.**

1. Disconnect the product from power.
2. Wedge the tip of a flat-head screwdriver into the slot of the fuse holder.
3. Pry the fuse holder out of the housing.
4. Remove the blown fuse from the holder.
5. Replace with a fuse of the exact same type and rating.
6. Insert the fuse holder back in place and reconnect power.

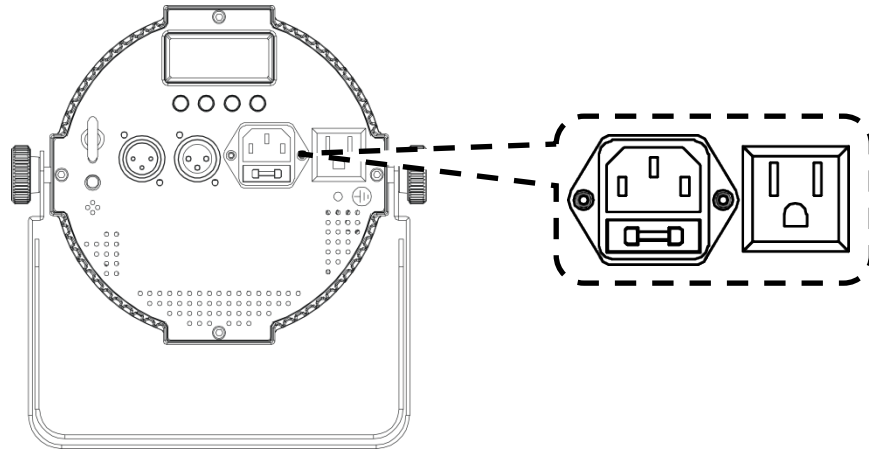


**A spare fuse is not included; however, the safety cap has room for a spare.**

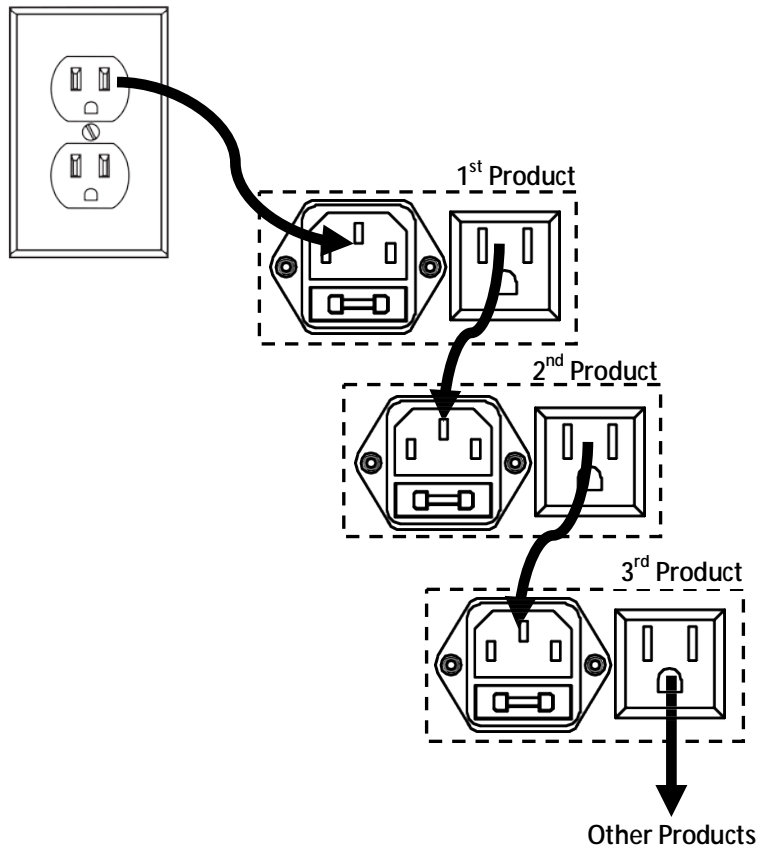


**Always replace a blown fuse with the same type and rating.**

**Power Linking** The product provides power linking via the IEC outlet located in the back of the unit.



**Power Linking Diagram**



You can power link up to 13 SlimPAR™ QUAD 12 IRC units on 120 VAC or up to 24 SlimPAR™ QUAD 12 IRC units on 230 VAC.



The power linking diagram shown above corresponds to the North American version of the product ONLY! If using the product in other markets, you must consult with the local CHAUVET® distributor as power linking connectors and requirements may differ in your country or region.

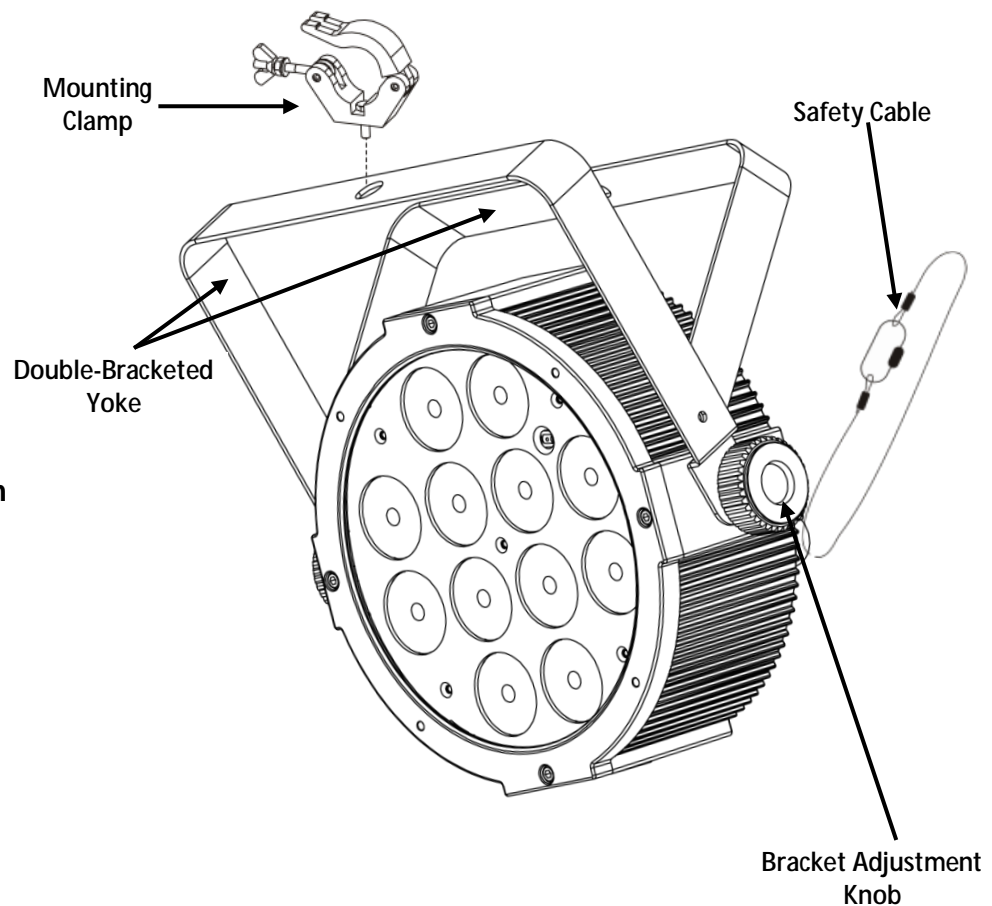


---

**Mounting** Before mounting the product, read and follow the safety recommendations indicated in the Safety Notes.

**Orientation** The SlimPAR™ QUAD 12 IRC may be mounted in any position; however, make sure adequate ventilation is provided around the product

- Rigging**
- Before deciding on a location, always make sure there is easy access to the product for maintenance and programming.
  - Make sure that the structure or surface onto which you are mounting the product can support the product's weight (see the [Technical Specifications](#)).
  - When mounting the product overhead, always use a safety cable. Mount the product securely to a rigging point, such as an elevated platform or a truss.
  - When rigging the product onto a truss, you should use a mounting clamp of appropriate weight capacity. The brackets have a 13-mm hole, which is appropriate for this purpose.
  - When power linking multiple products, you must always consider the length of the power linking cable and mount the products close enough for the cable to reach.
  - The bracket adjustment knobs allow for directional adjustment when aiming the product to the desired angle. Only loosen or tighten the bracket knobs manually. Using tools could damage the knobs.
  - The double-bracketed yoke also serves as floor supports for surface mounting. When mounting the product on the floor, make sure that the product and cables are away from people and vehicles.



**Mounting Diagram**

## 4. OPERATION

### Control Panel Operation

To access the control panel functions, use the four buttons located underneath the display.

Button	Function
<MENU>	Selects an operation mode or to backs out of the current menu option
<UP>	Scrolls up the list of options or selects a higher value
<DOWN>	Scrolls down the list of options or selects a lower value
<ENTER>	Activates a menu option or a selected value

### Menu Map

Mode	Programming Steps		Description
<b>P</b> (Auto Program)	<b>P 1</b>		4-color program (switching)
	<b>P 2</b>		4-color program (fading)
	<b>P 3</b>		15-color program (switching)
	<b>P 4</b>		15-color program (fading)
	<b>P 5</b>	<b>(VOL1~VOL4)</b> For use with IRC	4-color program (sound-active)
	<b>P 6</b>		15-color program (sound-active)
<b>4-CH</b>	<b>d001~d505</b>		4-channel DMX mode (RGBA)
<b>8-CH</b>			8-channel DMX mode
<b>C</b> (Preset Colors)	<b>C 1</b>	<b>Red</b>	Static color
	<b>C 2</b>	<b>Green</b>	
	<b>C 3</b>	<b>Blue</b>	
	<b>C 4</b>	<b>Amber</b>	
	<b>C 5</b>	<b>Cyan</b>	
	<b>C 6</b>	<b>Purple</b>	
	<b>C 7</b>	<b>Yellow</b>	
	<b>C 8</b>	<b>White (RGB)</b>	
	<b>C 9</b>	<b>Orange</b>	
	<b>C 10</b>	<b>Light Green</b>	
	<b>C 11</b>	<b>Violet</b>	
	<b>C 12</b>	<b>Yellow</b>	
	<b>C 13</b>	<b>Pink</b>	
	<b>C 14</b>	<b>Light Blue</b>	
	<b>C 15</b>	<b>White (RGBA)</b>	
<b>S</b>	<b>S001~S100</b>		Program speed of P1~P4
<b>U--</b>	<b>R 1~R100</b>	<b>Red</b>	Each custom static color 0~100% Combines Red, Green, Blue, and Amber
	<b>G 1~G100</b>	<b>Green</b>	
	<b>b 1~b100</b>	<b>Blue</b>	
	<b>A 1~A100</b>	<b>Amber</b>	
<b>SET</b>	<b>ON</b>		Turns infrared on or off
	<b>OFF</b>		

## Configuration (DMX)

Set the product in DMX mode to control with a DMX controller.

1. Connect the product to a suitable power outlet.
2. Turn the product on.
3. Connect a DMX cable from the DMX output of the DMX controller to the DMX input socket on the product.

## Starting Address

When selecting a starting DMX address, always consider the number of DMX channels the selected DMX mode uses. If you choose a starting address that is too high, you could restrict the access to some of the product's channels.

The SlimPAR™ QUAD 12 IRC uses up to 8 DMX channels in its 8-CH DMX mode, which defines the highest configurable address to **505**.

If unfamiliar with DMX, download the DMX Primer from [www.chauvetlighting.com](http://www.chauvetlighting.com).

To select the starting address, do the following:

1. Press **<MENU>** repeatedly until **4-CH** or **8-CH** shows on the display.
2. Use **<UP>** or **<DOWN>** to select **4-CH** or **8-CH**.
3. Press **<ENTER>**.
4. Use **<UP>** or **<DOWN>** to select the starting address.
5. Press **<ENTER>**.

## DMX Channel Modes, Assignments, and Values

8-Channel	Channel	Function	Value	Setting
	1	Red	000 ◊ 255	0~100%
	2	Green	000 ◊ 255	0~100%
	3	Blue	000 ◊ 255	0~100%
	4	Amber	000 ◊ 255	0~100%
	5	Color Macros (Overrides Chs. 1~4)	000 ◊ 015	No function
			016 ◊ 255	Color macros
	6	Speed (When Ch. 7 is 032~233)	000 ◊ 255	Slow~fast
		Strobe	000 ◊ 015	No function
			016 ◊ 255	Slow~fast
	7	Mode	000 ◊ 031	RGBA mode
			032 ◊ 063	Pulse effect 0~100%
			064 ◊ 095	Pulse effect 100%~0
			096 ◊ 127	Pulse effect 100%~0~100%
			128 ◊ 159	Auto fade transition
			160 ◊ 191	Auto snap transition (4 colors)
			192 ◊ 223	Auto snap transition (15 colors)
		224 ◊ 255	Sound-active mode	
	8	Dimmer	000 ◊ 255	0~100%

4-Channel	Channel	Function	Value	Setting
	1	Red	000 ◊ 255	0~100%
	2	Green	000 ◊ 255	0~100%
	3	Blue	000 ◊ 255	0~100%
	4	Amber	000 ◊ 255	0~100%

---

## Configuration (Standalone)

Set the product in one of the standalone modes to control without a DMX controller.

1. Connect the product to a suitable power outlet.
2. Turn the product on.



**Never connect a product that is operating in any standalone mode (either Static, Automatic, or Sound) to a DMX string connected to a DMX controller. Products in standalone mode may transmit DMX signals that could interfere with the DMX signals from the controller.**

### Sound-Active Mode

To enable the Sound-Active mode, do the following:

1. Press **<MENU>** repeatedly until **P 1~P 6** shows on the display.
2. Press **<ENTER>**.
3. Use **<UP>** or **<DOWN>** to select **P 5** or **P 6**.
4. Press **<ENTER>**.
5. Turn the music on and adjust the microphone sensitivity knob until the unit responds to the beat of the music.



**The product will only respond to low frequencies of music (bass and drums). If there is no sound, the product will turn off.**

### Automatic Mode

To enable the Automatic mode, do the following:

1. Press **<MENU>** repeatedly until **P 1~P 6** shows on the display.
2. Press **<ENTER>**.
3. Use **<UP>** or **<DOWN>** to select **P 1~P 4**.
4. Press **<ENTER>**.
5. Press **<MENU>** repeatedly until **S 1~S100--** shows on the display.
6. Use **<UP>** or **<DOWN>** to adjust the duration of each step of the automatic program from **S 1** (slow) to **S100** (fast).
7. Press **<ENTER>**.

### Static Mode

To enable the Static mode, do the following:

1. Press **<MENU>** repeatedly until **C 1~C 15** shows on the display.
2. Press **<ENTER>**.
3. Use **<UP>** or **<DOWN>** to select the preset color (**C 1~C 15**).
4. Press **<ENTER>**.

### Custom Static Colors

To enable the Custom Static Colors mode, do the following:

1. Press **<MENU>** repeatedly until **U--** shows on the display.
2. Press **<ENTER>** and one of the following colors shows on the display: **RXXX** (red), **GXXX** (green), **bXXX** (blue) or **AXXX** (amber)
3. Press **<ENTER>** repeatedly to select the desired color.
4. Use **<UP>** or **<DOWN>** to select the desired color value (**0~100**).

**NOTE:** Selecting **0** will turn the color off.

5. Press **<ENTER>** to select color value and continue to the next color.
6. Repeat steps 3 to 5 until you create your desired color.

---

## Master/Slave Mode

The Master/Slave mode allows a single SlimPAR™ QUAD 12 IRC unit (the “master”) to control the actions of one or more SlimPAR™ QUAD 12 IRC units (the “slaves”) without the need of a DMX controller. The master unit will be set to operate in either Automatic or Sound-Active mode, while the slave units will be set to operate in Slave mode. Once set and connected, the slave units will operate in unison with the master unit.

Configure the units as indicated below.

### Slave units:

1. Press **<MENU>** repeatedly until **4-CH** or **8-CH** shows on the display.
2. Press **<ENTER>** to accept.
3. Set the DMX address to **d 1**.
4. Connect the DMX input of the first slave unit to the DMX output of the master unit.
5. Connect the DMX input of the subsequent slave units to the DMX output of the previous slave unit.
6. Finish setting and connecting all the slave units.

### Master unit:

1. Set the master unit to operate in either Automatic or Sound mode.
2. Make the master unit the first unit in the DMX daisy chain.



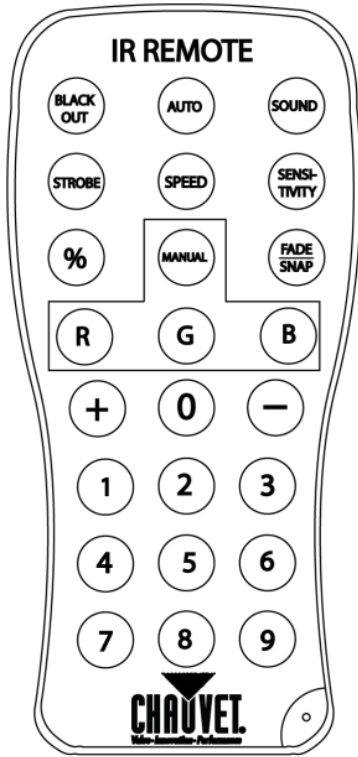
- **Configure all the slave units before connecting the master unit to the DMX daisy chain.**
- **Never connect a DMX controller to a DMX string configured for Master/Slave operation because the controller may interfere with the signals from the master unit.**
- **Do not connect more than 31 slave units to the master unit.**

## Infrared Remote Control

The SlimPAR™ QUAD 12 IRC is fully compatible with the Infrared Remote Control (IRC) from CHAUVET®. To enable usage with the IRC, do the following:

1. Press **<MENU>** repeatedly until **SET** shows on the display.
2. Press **<ENTER>** to accept.
3. Press **<UP>** or **<DOWN>** to select **ON** or **OFF**.
4. Press **<ENTER>**.

## IRC (Infrared Remote Control) Operation



### Automatic Mode

Automatic mode will enable you to run the automatic programs on the product.

To turn on Automatic mode:

1. Press **<AUTO>** on the IRC.
2. Press **<+>** or **<->** to choose between the different auto programs.

To adjust the speed of the automatic program:

1. Press **<SPEED>** on the IRC.
2. Press **<%>**.
3. Press **<+>** or **<->** to either increase or decrease the speed of the program.

### Sound-Active Mode

Sound-Active mode will enable the product to respond to the music.

To turn on Sound-Active mode:

1. Press **<SOUND>** on the IRC.

To adjust sound sensitivity in Sound-Active mode:

1. Press **<SENSITIVITY>** on the IRC.
2. Press **<%>**.
3. Press **<+>** or **<->** to either increase or decrease sound sensitivity.

### Manual Color Control

To choose a specific color with the IRC:

1. Press **<MANUAL>** on the IRC.
2. Press any number between **0-9** to choose your color.

To manually control the RGB percentage:

1. Press **<MANUAL>** on the IRC.
2. Press **<R>** (red), **<G>** (green), or **<B>** (blue) to choose your color.
3. Press **<+>** or **<->** to increase or decrease the percentage of each color.

### Miscellaneous Operation

To adjust the strobe rate of the program:

1. Press **<STROBE>** on the IRC.
2. Press **<+>** or **<->** to increase or decrease the strobe rate.
3. Press **<STROBE>** again to turn off the strobe.

To change the switching effect of the program:

1. Press **<FADE/SNAP>** on the IRC.

Fade will slowly switch the effect. Snap will rapidly switch the effect.

To black out the lights:

1. Press **<BLACK OUT>** on the IRC.

This will turn off all the lights until the button is pressed again.

**NOTE:** The IRC will not respond to any inputs when Black Out is activated. If the remote does not respond when a button is pressed, try pressing **<BLACK OUT>**. You may have inadvertently activated Black Out.

---

## 5. TECHNICAL INFORMATION

### **Product Maintenance**

Dust build-up reduces light output performance and can cause overheating. This can lead to reduction of the light source's life and mechanical wear. To maintain optimum performance and minimize wear, clean the product at least twice a month. However, usage and environmental conditions contribute to increased cleaning frequency.

To clean the product, follow the instructions below:

- Unplug the product from power.
- Wait until the product is at room temperature.
- Use a vacuum (or dry compressed air) and a soft brush to remove dust collected on the external surface and vents.
- Clean the LED transparent cover with a mild soap solution, ammonia-free glass cleaner, or isopropyl alcohol.
- Apply the solution directly to a soft, lint-free cotton cloth or a lens cleaning tissue.
- Softly wipe any dirt or grime to the outside edges of the LED transparent cover.
- Gently polish the transparent LED cover until it is free of haze and lint.



**Always dry the transparent LED cover carefully after cleaning.**

## 6. TECHNICAL SPECIFICATIONS

Dimensions and Weight	Length	Width	Height	Weight
	10.6 in (270 mm)	4.2 in (107 mm)	10.6 in (272 mm)	5.6 lbs (2.4 kg)

**Note:** Dimensions in inches rounded to the nearest decimal digit.

Power	Power Supply Type	Range	Voltage Selection
	Switching (internal)	100~240 V, 50/60 Hz	Auto-ranging

Parameter	120 V, 60 Hz	230 V, 50 Hz
Consumption	123 W	132 W
Operating current	1.0 A	0.6 A
Power linking current (units)	13.6 A (13 units)	13.6 A (24 units)
Fuse	T 2 A, 250 V	T 2 A, 250 V

Power I/O	US/Worldwide	UK/Europe
Power input connector	IEC	IEC
Power output connector	Edison	IEC
Power Cord plug	Edison (US)	Local plug

Light Source	Type	Power	Lifespan
	LED	5 W	50,000 hours

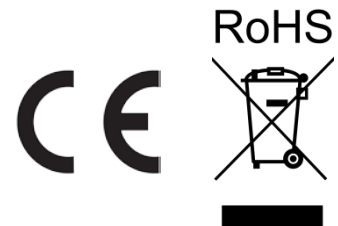
Color	Quantity	Current
Red	12	500 mA
Green	12	500 mA
Blue	12	500 mA
Amber	12	500 mA

Photo Optic	Parameter	
	Illuminance @ 2 m	4,500 lx
	Beam angle	20°
	Field angle	34°

Thermal	Maximum External Temp.	Cooling System
	104° F (40° C)	Convection

DMX	I/O Connectors	Connector Type	Channel Range
	3-pin XLR	XLR	4, 8

Ordering	Product Name	Item Code	UPC Number
	SlimPAR™ QUAD 12 IRC	03030601	781462209490





---

To return a product or request support:

- In the U.S., contact CHAUVET® World Headquarters.
- In the UK or Ireland, contact CHAUVET® Europe Ltd.
- In any other country, DO NOT contact CHAUVET®. Contact your distributor. See [www.chauvetlighting.com](http://www.chauvetlighting.com) for distributors outside the U.S., United Kingdom, or Ireland.



**If you live outside the U.S., United Kingdom, or Ireland, contact your distributor of record and follow their instructions on how to return CHAUVET® products to them. Visit our website for contact details.**

## Returns

Call the corresponding CHAUVET® Technical Support office and request a Return Merchandise Authorization (RMA) number before shipping the product. Be prepared to provide the model number, serial number, and a brief description of the cause for the return.

You must send the merchandise prepaid, in its original box, and with its original packing and accessories. CHAUVET® will not issue call tags.

Clearly label the package with the RMA number. CHAUVET® will refuse any product returned without an RMA number.



**Write the RMA number on a properly affixed label. DO NOT write the RMA number directly on the box.**

Before sending the product, clearly write the following information on a piece of paper and place it inside the box:

- Your name
- Your address
- Your phone number
- The RMA number
- A brief description of the problem

Be sure to pack the product properly. Any shipping damage resulting from inadequate packaging will be your responsibility. FedEx packing or double-boxing are recommended.



**CHAUVET® reserves the right to use its own discretion to repair or replace returned product(s).**

## Contact Us

### World Headquarters CHAUVET®

#### General Information

Address: 5200 NW 108th Avenue  
Sunrise, FL 33351  
Voice: (954) 577-4455  
Fax: (954) 929-5560  
Toll free: (800) 762-1084

#### Technical Support

Voice: (954) 577-4455 (Press 4)  
Fax: (954) 756-8015  
Email: [tech@chauvetlighting.com](mailto:tech@chauvetlighting.com)

#### World Wide Web

[www.chauvetlighting.com](http://www.chauvetlighting.com)

### United Kingdom & Ireland CHAUVET® Europe Ltd.

#### General Information

Address: Unit 1C  
Brookhill Road Industrial Estate  
Pinxton, Nottingham, UK  
NG16 6NT  
Voice: +44 (0)1773 511115  
Fax: +44 (0)1773 511110

#### Technical Support

Email: [uktech@chauvetlighting.com](mailto:uktech@chauvetlighting.com)

#### World Wide Web

[www.chauvetlighting.co.uk](http://www.chauvetlighting.co.uk)