

USER MANUAL
MANUAL DE INSTRUCCIONES
NOTICE D'UTILISATION
BEDIENUNGSANLEITUNG

HAK360

ECLEREO

AUDIO CREATIVE POWER

USER MANUAL

1. IMPORTANT REMARK	04
2. INTRODUCTION	04
3. INSTALLATION	05
3.1. Placement and mounting	05
3.2. Input signal sources	06
3.2.1. Turntables	06
3.2.2. Microphones	06
3.2.3. CD-Players, Mini Disc, Tape...	06
3.2.4. Direct access to the main mix	06
4. OPERATION AND USAGE	07
4.1. Start up	07
4.2. Monitoring System	07
4.3. Channel gain	07
4.4. Channel equalization	08
4.5. Program Reverse switch	08
4.6. ECLER Faders	08
4.7. ETERNAL Crossfader	08
4.8. Cutter / Transformer	09
4.9. Replaceable components	09
4.10. Routing to external effects units	10
4.11. Outputs	10
5. FURTHER CONSIDERATIONS	11
5.1. Ground loops	11
5.2. Audio connections	11
5.3. Background noise	11
5.4. Cleaning	11
6. TECHNICAL CHARACTERISTICS	40
7. DIAGRAMS	41
7.1. Figures	41
7.2. Function list	42
7.3. Function diagram	44
7.4. Block diagram	45

All numbers subject to variation due to production tolerances. ECLER SA reserves the right to make changes or improvements in manufacturing or design which may affect specifications.

1. IMPORTANT REMARK

Congratulations! You are the owner of a genuine ECLER professional equipment. The HAK360 Performance Mixing Instrument has been carefully researched in collaboration with leading performers, developed with the highest quality components, and efficiently manufactured under strict quality controls.

The HAK360 is a dedicated Hip-Hop Instrument, its features have been specially designed for scratch, beat juggling and other specific "Turntablist" techniques, although it surely can be used with other styles of music such as House, Trance, Drum 'n' Bass or Techno Mixing.

In order to get the optimum operation and efficiency from your mixing unit, it is VERY IMPORTANT - before you plug anything - to read this manual very carefully and take seriously into account all considerations specified within it. We strongly recommend that its maintenance be carried out by our Authorised Technical Services.



This apparatus must be earthed through its mains cable.

Do not expose the unit to rain or water splashes, and do not place liquid containers or incandescent objects like candles on top of the unit. Do not obstruct the ventilation shafts with any kind of material.

Any change in the configuration of the unit must be carried out by a qualified technician. Should any connection / disconnection task be done, always disconnect the unit from the mains supply.



CAUTION: RISK OF ELECTRIC SHOCK. DO NOT OPEN.

2. INTRODUCTION

The HAK360 is basically a four channel mixer divided into two channel faders (Line or Phono fader) a fully featured microphone input and a Session-Mix function. The unit features professional XLR3 balanced outputs and is equipped with a new ECLER oversized switching power supply which offers extraordinary better dynamics, and a flexible universal power input. The new Switching Power Supply operates under voltages between 90 and 264V at 47 to 63Hz with no need to make any internal adjustments (adapted to the mains voltage in any country of the world!).

The revolutionary innovation of this new HAK360 is the integration of an ETERNAL Inductive Crossfader, a long awaited contactless concept exclusively developed by ECLER (Patent Pending). The use of an exclusive ECLER magnetic field system combined with a custom high quality glides mechanism gives the ETERNAL Crossfader an incredibly smooth movement, an instantaneous cut-in-time, and of course virtually unlimited life performance. In addition to the standard REVERSE and full SHAPE adjustment The proper ETERNAL Inductive Fade system allowed ECLER to integrate unique's "Tuning" features that will give the HAK360 the most accurate "battle" set-up: Electronic CUT-IN-TIME correction and CROSSMODE selection (Fade/Switch crossfader modes).

The new custom ECLER channel faders are combined to a high quality VCA process which offers, in contrast to conventional faders, a much higher lifetime and the possibility to modify and reverse the attenuation curve (Shape Adjustment for "Mixing" and "Scratching"). ECLER Laboratories did test the new ECLER fader lifetime up to 4.000.000 Operations !

The overall instrument features 2+2 mixable channels (channel one, channel two, session, mic), with 5+1 stereophonic inputs and one microphone input (2 Phono, 2 Line, 1 Session, 1 Microphone). Two main channels feature a three band equalizer with full frequency cut, a gain control, a balance slider, a new ergonomic channel CUT toggle switch, and PFL function in order to display its level directly on the VU-meter and hear it through the headphones.

3. INSTALLATION

3.1. Placement and mounting

The first thing to take into consideration when placing your HAK is your comfort and an easy access to all the connections. The HAK360 is basically conceived as a tabletop mixer and its usual placement will be between two vinyls or CD players. The optional metallic side profiles kit allows you to firmly fix your HAK to the surface over which it is placed or over its own profiles (Fig.1). These profiles also allow to tilt the mixer's position for an easier operation.

Because of the high gain of the PHONO and MICROPHONE inputs, always try to place the mixer as far away as possible from noise sources (dimmers, engines, etc.) and mains wires. For the very same reason, and under any circumstance, you should never remove the unit's metallic cover.

The power consumption of the HAK is very low, so they don't need any cooling, but you should avoid extreme temperatures and the atmosphere should be as dry and dustfree as possible.

The HAK360 operates now with a new universal input power supply "Switching Power Supply" and can perfectly works without any internal modification from 90V to 264V – 47 to 63Hz. Make sure that the mains-wire is far away from the signal-cables in order to avoid any possible audio hum.

In order to protect the unit from an eventual electrical overload it carries a 500mA fuse. Should it ever blow up, unplug the unit from mains and replace it with an identical one. If the new fuse blows again contact immediately with our authorized technical service.

ATTENTION: NEVER SHORT-CIRCUIT THE SECURITY PATH NOR USE A HIGHER VALUE FUSE.



CAUTION: Fuse substitutions have to be performed by a qualified technician.

3.2. Input signal sources

3.2.1. Turntables

Turntables need a phono cartridge and an intact needle. Consider using specialized cartridges and needles for hard scratching application. Remember also to replace the needle approximately every 500 hours of use. Turntables must be fitted with magnetic cartridges of 5.6 to 140mV nominal output level. The PHONO inputs (8) of the HAK360 have a very good headroom so they can accept high output level cartridges. If you use low output, moving coil cartridges, you will need to use an external preamplifier, placed as near as possible to the turntable and connected between the cartridge and the mixer.

Please take care on the correct assignment of channels to the Phono inputs and that the turntables ground cable is connected to the HAKs GND (4).

3.2.2. Microphones

The HAK is equipped with a COMBO type connection (16). The COMBO connector combines a XLR-3 connexion and a jack connexion in the same connector. These inputs allow for the use of balanced wires. Connections are as follows:

	XLR 3	Stereo Jack
HOT or direct signal	Pin 2	Tip
COLD or inverted signal	Pin 3	Ring
GROUND	Pin 1	Sleeve

Low impedance (200 to 600 Ω) monophonic microphones must be used. For non balanced microphones we recommend monophonic jack plugs although stereo ones are also suitable if the ring is short-circuited to the sleeve. An XLR connector could also be used for non-balanced signals if pin 1 and 3 are short-circuited.

Micro channel is equipped with an INSERT connection (14) in order to insert external effect units only to this channel. The insertion is made by using a stereo jack, the tip of the jack is the send and the central ring the return.

3.2.3. CD Players, Mini-Disc, Tape...

Line level devices such as Compact Discs, Tape recorders, Mini-Disc or Video Recorders can be connected to any LINE input (7). Any of these inputs can handle high level signals. Sensitivity of LINE inputs is rated at -10dBV. This allows connection of virtually any audio source.

3.2.4. Direct access to the main mix

The HAK360 offers a direct access to the main mixing bus MIX (5), allowing the connection of external effect units. Furthermore, the SESSION (6) input allows linking other mixers to the HAK. This Function is especially useful for "Team Battle".

4. OPERATION AND USAGE

4.1. Start up

To switch the mixer on push the switch labelled POWER (1) located in the back panel - the two bottoms Vu-meter, ON leds will light up. Although the switching noise produced by the HAK360 is very low and almost inexistent when starting up the HAK with the main faders down, we highly recommend the "safe power-up sequence", which means that you should switch on your audio devices in the following order:

1. Sound sources
2. Mixer, equalizers, active filters
3. Finally, power amplifiers.

Powering off should be done by following the exact reverse sequence in order to avoid any possible damage to the loudspeakers.

4.2. Monitoring System

The HAK is equipped with a flexible and easy monitoring system that will allow the performers to finely tune PFL (Pre-fader listening) and PGM (Program Monitor) levels of the main inputs through the VU-METER and the HEADPHONES.

For HEADPHONES monitoring, the PGM/PFL switch (33) allows you to select between post fader or pre-fader listening. In PFL position, the PFLs crossfader (35) allows you to quickly fade between the two prelistening channels PFL.

The HAK360 VU-METER can display PFL Mono signals (VU1-PFL1 / VU2-PFL2) or PGM Mix signal (Sum of PGM) through a PFL/PGM selector (34).

4.3. Channel gain

All the HAK360 input channels have accessible input sensitivity GAIN (20) and ADJ (15) controls. These controls have the function of compensating for differences of level existing between the sound sources connected to the table.

All input sensitivity adjustments must be done very carefully using the VU-METER and/or headphones as a reference and avoiding that all the red LEDS of the VU-METER light up, otherwise input could be clipped (Overload). MIC input gain control is located in back panel ADJ (15).

4.4. Channel equalization

The tone controls for each of the two main channels provide a +10/-30dB boost/cut at high and low frequencies and +10/-25dB at the mid range. This great attenuation range is specially indicated for the famous "kill" effect, which cuts the band over which it performs. Following indications of experienced DJs, we have arrayed the control-knobs of the EQ section horizontally. This placement enables a more comfortable area to work with. Additionally, the HAK360 offers a dedicated balance control over each channel.

MICRO channel has two band (bass, treble) tone control.

ATTENTION: Use equalization carefully, by boosting too much the low frequency range, you can induce an excessive displacement of the speakers membrane.

4.5. Program Reverse Switch

Program Reverse Switch activation (22) drives sound sources connected to INPUT 1 to INPUT 2 and vice versa but without changing GAIN adjustments.

4.6. ECLER Faders

The HAK360 uses a new generation of ECLER faders featuring an improved precision and very smooth movement, a very fast cut-in-time, and extra long life performance tested up to 4.000.000 operations when combined to the ECLER VCA system (VCA = Voltage Controlled Amplifier).

Thanks to the VCA concept, it's possible to modify the gain/attenuation behaviour of faders. The HAK360 provides this "Curve Adjustment" feature, enabling you to control the fade-in and fade-out characteristics of each channel faders. Two knobs Shape (44) at the housings front let you adjust the response curve from soft to hard independently. Each fader channel also features REVERSE function, through the so-called "Hamster Switch" which reverses (43) the crossfader normal direction. Depending on the chosen "fader direction", you can perform crossfader "cuts" and "transforms" by moving the faders in the same direction.

To replace the genuine ECLER Faders, please refer to Sec. 4.9

4.7. ETERNAL Crossfader

The ECLER ETERNAL Crossfader is an inductive fade technology based on a magnetic control. An extremely light aluminium screen (0,5 gr.) cuts the flux lines of a magnetic field created between two sets of coils. This electromagnetic modulation controls an assigned Voltage Controlled Amplifier that modifies the gain/attenuation of the signal. The contactless technology is combined with a custom high quality glides mechanism to offer a very smooth touch and succeed the most accurate Crossfader system !

The ETERNAL concept does have obvious advantages upon other existing systems using optical technology. Unlike optoelectronic elements, the inductive concept is resistant to smoke, moisture, temperature and aging.

Other electromagnetic systems found on the market are particularly sensible to the lateral room of the mechanism, and have heavier mobile elements (magnets or iron plates) that add an excessive weight to the crossfader. Such systems usually have a strange feel that can bother highly precise manipulations such as Scratching and Beat Juggling.

The ETERNAL Crossfader also features new "Tuning" features that will give the HAK360 the most accurate Crossfader adjustment :

- CROSSMODE selector (45): depending of how sharp you want to get your "scratches", the HAK360 allows you to set-up the crossfader performance in FADE or SWITCH. The FADE Mode will give the crossfader a progressive "roll-off" curve meanwhile the SWITCH Mode will "square" the crossfader curve in order to perform almost as a Switch for fast "scratches". Both curve modes are finely tuned by the SHAPE Adjustment potentiometer.

- SHAPE Adjustment (48): a knob SHAPE at the housing front let you adjust the crossfader slope from soft to hard.

- REVERSE Switch (46): so-called "Hamster Switch", which reverses the crossfader normal direction. Depending on the chosen "fader direction", you can perform "cuts" and "transforms" by moving the Crossfader in the same direction.

- Electronic CUT-IN-TIME correction(47): a small rotary potentiometer of the housing front plate will allows you to finely adjust the crossfader "Cut-in-time". The "Cut-in-time" is the distance between the extreme end of the crossfader and the very first "fade-in" point. The shortest position will give you almost an instant "Cut-in-time"; to find the shortest "Cut-in-time", the crossfader must be locked on the very end of the potentiometer in fade-out position (the PGM is fully attenuated) and the CUT-IN-TIME knob must be turned to the right until (just before) you get the sound. To lengthen the crossfader "Cut-in-time", turn the knob to the left.

4.8. Cutter / Transformer

Both Cut Switches (36) found inside the HAK360 are high quality components which have proven through the years their excellence due to their great precision and endurance. Using them, you can perform (similar to a "hard" set fader) total cuts to the respective channel. If this cut-off is done rhythmically to the beat, you will achieve the famous Transform effect.

The direction of the Cut switch can be customized individually (8 positions) after unscrewing the front cover (Sec 4.9).

4.9. Replaceable components (Faders, Crossfader, Switches)

In addition to an internally modular assembly system, the HAK have mounted in an easy-to-replace module all the main components that suffer an especially high wear: the two main faders, the crossfader and the cut switches. All these components can be substituted by just using a screwdriver because they have multipin connectors.

In order to replace any of the elements, proceed as follows:

1. Remove the fader buttons from the HAKs silver-plated surface.
2. Unscrew the module from the front panel.
3. Remove it from its fitting hole.
4. Remove the screws which correspond to the element you wish to exchange.
5. Unplug the multipin connectors.
6. Replace it with a new one.
7. Plug in the multipin that you unplugged in step 5.
8. Gently put the front panel back in its place.
9. Screw it tight.
10. Put the fader buttons back on its place.

ATTENTION: Always use original ECLER GENUINE SPARE PARTS for your HAK360.

4.10. Routing to external effects units

The HAKs two mixable channels offer a switchable effects path (31), allowing you to route the output signal to an external effects unit (ex. Reverb, sampler...) and loop it back to the HAK. When the button is pressed, the effects path is active, effect led is on (30).

The EFF output (12) should be connected to the audio input of a stereo effects unit. The units output can then be connected back to the HAK360 through the MIX (5) input. The MIX input is a direct access to the mixing buss, allowing no further control over volume or tone.

4.11 Outputs

Headphones: in order to obtain a high performance, these should be of the high impedance type (200-600Ω). Plug them to the PHONES output (42), in the front panel, by means of a standard stereo jack. Sleeve is Ground, Ring is Right Channel and Tip is Left Channel.

The HAK360 has two main outputs OUT1 (10-11), balanced XLR 3, 0dB on 600Ω and OUT2 (9) RCA, +6dB on 1kΩ with their own volume control by using a rotary knob to adjust the output signal. Small plastic black Jumpers (A set of 5 jumpers is delivered with the HAK360) can internally adjust (Fig 2) main outputs to +6dBV (2V) or 0dBV (1V). The HAK360 features a 0dB led indicator (24) nearby the MASTER 1 LEVEL potentiometer in order to adjust and control your OUT/MASTER signal. The 0dB led indicates when the Output 1 signal goes over the nominal reference adjustment. This red LED should be blinking during the performance and never remain permanently lightened up.

ATTENTION: You must be careful when setting up the general output level of the mixer. The "clip" display of the connected power amplifiers must never remain permanently lightened up, but do it occasionally by following the rhythm of the bass signals that are being played.

The HAK360 mixer has a REC (13) output of 0dBV nominal on 10kΩ load.

5. FURTHER CONSIDERATIONS

5.1. Ground loops

Ensure at all times that no signal sources reaching the mixing desk and no devices connected to its output have their earths interconnected; that is, earth should never reach them via two or more different paths, as this could lead to humming which could even interfere with sound reproduction quality. In order to avoid earth loops, ensure that the shielding of cables, if connected to the chassis, are never connected with each other.

5.2. Audio connections

As a general rule of thumb, make the signal connections as short as possible and use the best connectors and cable available. Cables and connectors are frequently held cheap, forgetting that a bad connection can result in a poor sound quality.

5.3. Background noise

The use of active circuitry can yield, depending on the configuration, to a significant noise level. The HAK mixer has been designed for the minimum possible noise. Anyway, the noise level will always depend on the correct use and installation of the mixer. It is not the same setting up the FADER at "2" and the MASTER at "10" that the other way round; FADER at "10" and MASTER at "2". In the first case you get a poor signal to noise ratio that will be fully amplified by the master while on the second we have a good signal to noise ratio only amplified by "2". As a result, the background noise is greater in the first case than in the second one.

5.4. Cleaning

The front panel should not be cleaned with dissolvent or abrasive substances because silk-printing could be damaged. To clean it, use a soft cloth slightly wet with water and neutral liquid soap; dry it with a clean cloth. Be careful that water never gets into the amplifier through the holes of the front panel.

MANUAL DE INSTRUCCIONES

1. NOTA IMPORTANTE	13
2. INTRODUCCIÓN	13
3. INSTALACIÓN	14
3.1. Ubicación y montaje	14
3.2. Fuentes de señal conectables	15
3.2.1. Platos giradiscos	15
3.2.2. Micrófonos	15
3.2.3. Reproductores de CD, Minidisc, Cinta...	15
3.2.4. Acceso directo a la mezcla principal	15
4. OPERACIÓN Y USO	16
4.1. Puesta en funcionamiento	16
4.2. Sistema de monitorización	16
4.3. Ganancia de vía	16
4.4. Ecualización de vía	17
4.5. Conmutador Program Reverse	17
4.6. Faders ECLER	17
4.7. ETERNAL Crossfader	17
4.8. Efectos Cut/Transform	18
4.9. Componentes reemplazables (Faders, Crossfader, Interruptores)	18
4.10. Envío a unidades exteriores de efectos	19
4.11. Salidas	19
5. CONSIDERACIONES	20
5.1. Bucles de masa	20
5.2. Conexiones de audio	20
5.3. Ruido de fondo	20
5.4. Limpieza	20
6. CARACTERÍSTICAS TÉCNICAS	40
7. DIAGRAMAS	41
7.1. Figuras	41
7.2. Lista de funciones	42
7.3. Diagrama de funcionamiento	44
7.4. Diagrama de bloques	45

Todos los datos están sujetos a variación debida a tolerancias de producción. ECLER S.A. se reserva el derecho de realizar cambios o mejoras en la fabricación o diseño que pudieran afectar las especificaciones.

1. NOTA IMPORTANTE

¡Felicidades! Por adquirir un auténtico equipo profesional ECLER. El Performance Mixing Instrument HAK360 es el resultado de un meticuloso proceso de investigación en colaboración con prestigiosos “performers”, desarrollado con componentes de alta calidad y fabricado bajo estrictos controles.

El HAK360 es un mezclador específico para HipHop, siendo sus características especialmente adecuadas scratch, beat juggling y otras técnicas “Turntablist”. No obstante, el HAK360 se puede utilizar igualmente con otros estilos musicales, como por ejemplo House, Trance, Drum'n'Bass o Techno.

Para conseguir la máxima funcionalidad del aparato y su máximo rendimiento, es muy importante antes de su conexión, leer detenidamente y tener muy presentes las consideraciones que en este manual se especifican. Para garantizar el óptimo funcionamiento de este aparato, recomendamos que su mantenimiento y eventuales reparaciones sean llevadas a cabo por nuestros Servicios Técnicos autorizados.



Este aparato debe conectarse a tierra a través de su cable de red.

No exponer la unidad a la lluvia o a salpicaduras de agua, no colocar recipientes que contengan líquidos u objetos incandescentes tales como velas sobre el aparato. No obstruya las rejillas de ventilación.

Cualquier cambio en la configuración de la unidad debe ser llevado a cabo por técnicos cualificados. Cualquier conexión o desconexión de la unidad debe ser realizada, siempre, con la unidad desconectada de la red.



ATENCIÓN: PELIGRO DE DESCARGA ELÉCTRICA. NO ABRIR.

2. INTRODUCCIÓN

El HAK360 es un mezclador de cuatro vías con dos faders (LINE o PHONO), una entrada completa para micrófono y la función Session-Mix. La unidad dispone de salidas balanceadas con conectores XLR3 e incorpora la nueva fuente conmutada de alimentación ECLER sobredimensionada que mejora la dinámica y ofrece una gran versatilidad en la conexión a red. Esta fuente es capaz de operar con voltajes comprendidos entre 90 y 264V desde 47 hasta 63Hz sin la necesidad de realizar ningún ajuste interno (se adapta a cualquier tensión de cualquier país del mundo).

La revolucionaria innovación del HAK360 radica en la incorporación del crossfader inductivo ETERNAL, un concepto de XF sin contacto, largamente esperado y desarrollado exclusivamente por ECLER (Patent Pending). Este sistema ETERNAL de campo magnético combinado con un efectivo mecanismo de deslizamiento de guías otorgan al crossfader ETERNAL un movimiento increíblemente suave, un “cut in time” instantáneo y por supuesto una duración prácticamente ilimitada. El sistema ETERNAL permite incorporar además de las funciones normales REVERSE y de forma de curva de transición SHAPE funciones únicas: un sistema electrónico de ajuste de CUT IN TIME y selección de modo de trabajo del crossfader (fundido-fade o interruptor-switch) estas prestaciones posibilitan una gran optimización para el trabajo “battle” con el HAK.

Los nuevos faders de vía ECLER combinados con un sistema VCA de alta calidad ofrecen en contraste con los faders convencionales una mayor longevidad y la posibilidad de invertir la curva de atenuación (Ajuste Shape para "Mixing o "Scratching). La vida útil de estos potenciómetros ha superado en los tests de ECLER los 4.000.000 de operaciones.

El HAK360 dispone de 2 + 2 canales mezclables (channel 1 y channel 2, Session, Mic) con 5 + 1 entradas estereofónicas y una entrada de micrófono (2 Phono, 2 Line, 1 Session, 1 Microphone). Los dos canales principales disponen de ecualización de tres bandas con función CUT de banda, regulador de ganancia, balance deslizante, interruptor basculante para CUT y de la función PFL para monitorizar visualmente mediante el Vu-meter y acústicamente mediante auriculares cualquier señal conectada a las entradas de la mesa.

3. INSTALACIÓN

3.1. Ubicación y montaje

La principal consideración a tener en cuenta en el momento de buscar la ubicación de su nuevo HAK debe ser la máxima comodidad de trabajo del operador, permitir una total facilidad en la realización de las conexiones de las que el mezclador va a ser punto de partida y llegada. El HAK360 está básicamente concebido como mezclador de sobremesa y su ubicación habitual será entre dos reproductores de discos compactos o de vinilo. Mediante el kit de laterales metálicos (disponibles como opción) (Fig. 1) podrá sujetar firmemente su HAK, ya sea directamente sobre la superficie sobre la que se apoye o sobre los laterales. Estos perfiles permiten también inclinar el mezclador.

Dada la elevada ganancia de las entradas de PHONO y de MICRÓFONO debe procurarse situar el mezclador lo más alejado posible de fuentes de ruido (variadores de tensión, motores, etc,...) así como de cualquier cable de red. Por esta misma razón y bajo ninguna circunstancia debe quitarse la tapa metálica del aparato.

Ya que el consumo del HAK360 es muy bajo, éste no precisa ventilación, sin embargo debe evitarse que esté expuesto a una temperatura extrema y que la atmósfera del local en que esté emplazado sea lo más seca y limpia de polvo posible.

El HAK360 funciona con una fuente de alimentación conmutada de tipo universal permitiendo trabajar sin ningún tipo de ajuste desde 90V a 264V – 47/63Hz. Asegúrese de que el cable de red se encuentre lejos de los cables de señal para evitar zumbidos.

Para proteger al mezclador de eventuales sobrecargas en la línea de red existe un fusible de red de 500mA. En caso de que éste se fundiera se desconectaría el aparato y se sustituiría por otro de idénticas características. Si éste último se volviera a fundir, consulte con nuestro Servicio Técnico.

ATENCIÓN: EN NINGÚN CASO DEBE CORTOCIRCUITAR EL CIRCUITO DE PROTECCIÓN O PONER UN FUSIBLE DE VALOR MÁS ELEVADO.



ADVERTENCIA: La sustitución del fusible debe ser realizada por un técnico cualificado.

3.2. Fuentes de señal conectables

3.2.1 Platos giradiscos

Deben ir equipados con cápsula magnética y una aguja en perfectas condiciones. Utilice cápsulas y agujas especiales en caso de recurrir al scratching habitualmente. Procure reemplazar la aguja aproximadamente cada 500 horas de utilización. La cápsula deberá ser capaz de dar un nivel de salida nominal entre 5.6 y 140mV. Dado que las entradas de PHONO (8) tienen una elevada capacidad de sobrecarga, pueden admitir cápsulas de mayor nivel de salida. En caso de querer emplear cápsulas de bobina móvil éstas han de ser de alto nivel de salida, sino se precisa la utilización de un transformador o previo exterior a la unidad de mezcla que se situaría lo más cerca posible de los platos giradiscos.

Preste atención a la correcta asignación de los canales a las entradas RCA y a que la toma de tierra de los giradiscos esté conectada a la toma GND (4) del HAK360.

3.2.2 Micrófonos

Los conectores de micrófono son del tipo "COMBO" (16). El conector COMBO combina en un mismo conector la conexión tipo XLR-3 y la conexión tipo jack ¼". Estas entradas admiten la conexión en modo balanceado. Para ello se realizará la conexión como se indica:

	Empleando XLR 3	Empleando Jack estereofónico de ¼"
Vivo o señal directa	Terminal 2	Punta
Frío o señal invertida	Terminal 3	Aro central
Masa	Terminal 1	Base

Los micrófonos deben ser de baja impedancia (de 200 a 600Ω) y monofónicos. Para conexiones NO balanceadas cortocircuitar los terminales 1 y 3 del conector XLR o emplear un jack monofónico. También puede realizarse una conexión NO balanceada mediante un conector jack estéreo cortocircuitando a masa el aro central del conector.

La vía micrófono dispone de una conexión INSERT (14) para inserción de unidades de efectos únicamente en esta vía. Esta se realiza mediante jack de ¼" correspondiendo el envío a la punta y el retorno al aro central.

3.2.3 Reproductores de CD, Minidisc, Cinta...

Los dispositivos con salida de línea como Reproductores de CD, de cinta, MiniDisc o vídeos deben conectarse en las entradas de LINE (7). Todas estas entradas admiten señales de nivel de línea. La sensibilidad de las entradas LINE es de -10dBV, con ello se consigue una total adaptabilidad a las fuentes de sonido existentes en la actualidad.

3.2.4 Acceso directo a mezcla principal

El HAK360 dispone de un acceso directo al bus de mezcla principal MIX (5), este acceso posibilita la conexión a unidades de efectos exteriores. Adicionalmente, la entrada SESSION (6) permite la interconexión con otros mezcladores. De esta manera se pueden "colgar" varios mezcladores en serie (en cascada). Esta posibilidad se explota sobre todo en la modalidad del "Team Battle".

4. OPERACIÓN Y USO

4.1. Puesta en funcionamiento

Esta se realizará mediante el interruptor (1) situado en el panel posterior e inmediatamente se iluminarán los leds inferiores, ON, del Vu-meter. Aunque el ruido producido por la puesta en funcionamiento del HAK360 es mínimo y queda prácticamente anulado al hacerlo con los faders cerrados, siempre resulta muy recomendable poner en marcha todos los aparatos siguiendo la secuencia siguiente:

1. Fuentes de sonido
2. Unidad de mezclas, ecualizadores, filtros activos
3. Finalmente, amplificadores de potencia.

El paro de los aparatos debe realizarse en la secuencia inversa. Siguiendo este orden los picos o transitorios producidos por el encendido o apagado de los aparatos no afecta a los siguientes y, por consiguiente, tampoco llegan a los altavoces.

4.2. Sistema de monitorización

El HAK360 está equipado con un sistema de preescucha que permite monitorizar las señales PFL (Pre-fader listening) y PGM (Programa) a través de VU-METER y/o auditivamente a través de auriculares.

Para la monitorización vía auriculares el conmutador PGM/PFL (33) permite seleccionar entre las señales pre fader o post fader. En posición PGM se dispone directamente de la señal de programa. En posición PFL, el crossfader PFL (35) permite realizar una mezcla rápida entre las dos señales de entrada.

Utilizando el selector PFL/PGM (34) es posible visualizar en el VU las señales PFL1 en el VU1 y PFL2 en el VU2 y en posición PGM la mezcla postfader.

4.3. Ganancia de vía.

Todas las vías de entrada del HAK disponen de ajustes accesibles de la sensibilidad de entrada GAIN (20), ADJ (15), cuya misión es la de compensar las diferencias de nivel existentes entre las fuentes sonoras conectadas a la mesa antes de ser mezcladas.

Los ajustes de ganancia deben realizarse con suma meticulosidad utilizando el Vumeter y los auriculares como referencia y procurando que nunca se queden permanentemente iluminados todos los indicadores de color rojo, de lo contrario corremos el riesgo de saturar las entradas. En la entrada de MIC este control se encuentra en el panel posterior (ADJ 15).

4.4. Ecuación de vía

El sistema de control de tonos para las dos vías principales ofrece un amplio margen de actuación: -30 a +10dB para las vías de graves y agudos y -25 a +10dB para la vía de medios. Este amplio margen de variación posibilita la realización del efecto KILL de forma progresiva con tal de anular por completo las frecuencias que sobrepasen la frecuencia de corte. Los potenciómetros de la sección de ecualización han sido dispuestos de forma horizontal, siguiendo las indicaciones de expertos DJs. Este emplazamiento permite un trabajo más cómodo e intuitivo al utilizar la ecualización. EL HAK360 dispone además de un control de balance para cada canal de entrada.

Asimismo la vía de MICRO dispone de un control de tonos de dos bandas (graves y agudos).

ATENCIÓN: Utilice el control de tonos con precaución, la elevada ganancia máxima puede provocar sobredesplazamientos en su sistema de altavoces.

4.5. Conmutador Program Reverse

Este conmutador (22) direcciona las fuentes de sonido de INPUT 1 a INPUT 2 y viceversa, pero conservando sus ajustes previos de ganancia.

4.6 Faders ECLER

El HAK360 monta una nueva generación de faders ECLER precisos, extremadamente suaves, con un "cut in time" súper rápido y unas prestaciones que superan los 4.000.000 de maniobras combinados con el sistema VCA de ECLER (VCA: Voltage controlled Amplifier).

La utilización de VCA posibilita la modificación del comportamiento en ganancia/atenuación de los faders. Los controles "Curve Adjustment" permiten en el HAK360 ajustar "fade in" y "fade out" para cada una de las vías. Asimismo mediante los potenciómetros Shape (44) ubicados en el frontal del chasis es posible ajustar su curva de respuesta de forma independiente para que sea más abrupta "hard" o suave "soft". Finalmente cada vía incorpora la función REVERSE, también conocida como "Hamster Switch" (43) cuya activación invierte la dirección normal del crossfader. Dependiendo de la dirección de fader seleccionada es posible realizar crossfader "cuts" y "transforms" moviendo los faders en la misma dirección.

Para reemplazar los faders ECLER consultar la sección 4.9.

4.7 Crossfader Eternal

El Crossfader ECLER ETERNAL emplea tecnología inductiva basada en un sistema de control magnético. Una pantalla de aluminio extremadamente ligera (0,5gr) corta al desplazarse las líneas de campo magnético generadas entre dos juegos de bobinas. La variación de flujo electromagnético comanda a su vez un amplificador controlado por tensión que se encargará, directamente, de actuar sobre la señal de audio. Esta tecnología totalmente libre de contactos combinada con un sistema mecánico exclusivo de deslizamiento dan como resultado un tacto suave y uno de los crossfaders más precisos existentes en la actualidad.

El concepto ETERNAL tiene ventajas obvias en relación a otros sistemas existentes que utilizan tecnología óptica. A diferencia de los sistemas ópticos, el concepto inductivo es resistente al humo, humedad, temperatura y envejecimiento.

Otros sistemas electromagnéticos existentes en el mercado disponen de elementos móviles (imanes y láminas de hierro) muy pesados y ejes con excesivo juego todo ello empeora notablemente el tacto del crossfader dan una extraña sensación que redundo en imprecisiones de manipulación para "Scratching y Beat Juggling".

El sistema ETERNAL incorpora además la posibilidad de "afinar" su comportamiento convirtiendo los ajustes del crossfader del HAK360 en los más precisos:

- CROSSMODE SELECTOR (45). Dependiendo de lo "afilados" que deban ser los "scratches" el HAK360 posibilita la selección entre los modos FADE (fundido) o SWITCH (interruptor). En modo FADE se obtiene una curva muy progresiva mientras que en modo SWITCH su comportamiento es prácticamente el de un interruptor, óptimo para rápidos "scratches". Además ambos modos pueden ajustarse de forma "fina" mediante el potenciómetro de ajuste SHAPE.

- Ajuste SHAPE (48). Este potenciómetro situado en el frontal de la caja del aparato permite el ajuste de la pendiente del crossfader desde una pendiente suave "soft" a una más abrupta "hard".

- Interruptor REVERSE (46). También denominado HAMSTER, invierte la dirección normal del crossfader. Dependiendo de la dirección escogida pueden realizarse tanto "cuts" como "transforms" moviendo el crossfader en la misma dirección.

- Corrección electrónica del CUT in TIME (47). El "Cut in time" es la distancia existente entre el final físico del crossfader y el primer punto de entrada de señal. La posición más corta proporciona un "cut in time" prácticamente instantáneo, para encontrarla el potenciómetro debe encontrarse en posición extrema (programa musical totalmente atenuado) y el potenciómetro CUT IN TIME debe girarse a la derecha hasta que se obtenga señal musical. Para alargar el tiempo de "cut in time" girar el potenciómetro hacia la izquierda.

4.8. Efectos Cut/Transform

Los dos conmutadores Cut (36) del HAK360 son componentes de alta calidad que han demostrado su gran precisión y durabilidad durante años. Con estos conmutadores se puede desactivar por completo el canal correspondiente, similarmente a un crossfader ajustado en "hard". Si este corte se realiza en sincronía con el tempo del ritmo, se consigue el conocido efecto "Transform".

La dirección del conmutador se puede modificar y personalizar de manera individual (8 posiciones) desmontando el panel frontal. (Ver apartado 4.9.).

4.9. Componentes reemplazables (Faders, Crossfader, Interruptores)

El HAK dispone de una estructura modular interna en la que además los componentes principales que sufren un mayor desgaste se han montado de forma que sean fáciles de reemplazar: los dos faders principales, el crossfader y los interruptores de cut. Todos estos componentes pueden sustituirse simplemente utilizando un destornillador ya que emplean conectores multipin.

En caso de querer reemplazar alguna pieza, siga los siguientes pasos:

1. Retire los botones de los faders de la superficie del mezclador.
2. Desatornille los tornillos exteriores que sujetan la carátula plateada.
3. Extraiga la placa.
4. Retire los tornillos correspondientes al elemento que desee cambiar.
5. Desconecte cuidadosamente los conectores multiterminal.
6. Reemplácelo por otro igual.
7. Conecte los multiterminales que quedaron libres en 5.
8. Coloque la placa en su cavidad.
9. Atornille la placa a la carcasa.
10. Vuelva a colocar los botones en el panel frontal.

ATENCIÓN: Utilice en su HAK360 siempre repuestos originales ECLER.

4.10. Envío a unidades exteriores de efectos

Los dos canales mezclables del HAK360 están equipados con un pulsador (31) que permite realizar un envío a una unidad de efectos exterior (p.ej.: Reverb, sampler...) quedando ésta "enlazada" en la mezcla. Con el pulsador hundido, el envío a efecto está activado, Led effect iluminado (30).

La salida EFF (12) se conectará a la entrada del efecto estéreo y la salida de éste puede conectarse a la entrada MIX (5). La entrada MIX es un acceso directo al bus de mezcla principal, sin ningún tipo de control de volumen ni de tono.

4.11. Salidas

Auriculares: Para obtener el mejor rendimiento en su funcionamiento, éstos deberán ser de alta impedancia (200-600Ω). Se conectarán a la salida PHONES (42) mediante un conector jack normalizado de ¼" estereofónico. El casquillo del jack será la masa, el anillo central el canal derecho y la punta el canal izquierdo.

El HAK360 dispone de dos salidas OUT principales, OUT1 (10-11), balanceada XLR-3, 0dB sobre 600Ω y OUT2 (9) RCA, +6dB sobre 1kΩ, asociadas a sendos potenciómetros rotativos, es decir son totalmente independientes. Las salidas se pueden modificar internamente mediante "jumpers" a +6dBV (2V) o 0dB (1V) (Fig. 2). El HAK360 incorpora además un indicador luminoso de salida que se ilumina cuando el nivel existente en la salida OUT 1 supera su valor nominal, 1V. Pudiera ser que este indicador parpadeara al trabajar con la mesa pero nunca debe permanecer permanentemente encendido.

ATENCIÓN: Debe tenerse precaución al manipular el nivel general de salida de la mesa de mezclas de que nunca queden permanentemente encendidos los indicadores de "clip", recorte, de las etapas de potencia conectadas, sino que lo hagan, como máximo al ritmo de las frecuencias más graves.

El HAK posee salida de grabación REC (13) de 0dBV nominales sobre 10kΩ de carga.

5. CONSIDERACIONES

5.1. Bucles de masa

Procuraremos en todo momento que todas las fuentes de señal que lleguen a la mesa de mezclas, así como todos los aparatos que estén conectados a su salida, no tengan las masas interconectadas, es decir, que nunca les llegue masa por dos o más caminos distintos, ya que de esta manera se podrían producir zumbidos que llegarían incluso a interferir la calidad de la reproducción sonora. Los blindajes de los cables, de estar conectados a chasis, en ningún momento deben estar unidos entre sí, de esta forma evitaremos la formación de bucles de masa.

5.2. Conexiones de audio

Como norma general deberemos procurar que las conexiones de señal sean lo más cortas posible, asimismo emplearemos conectores y cables de la mejor calidad.

Normalmente a los cables y conectores no se les presta el interés merecido. En muchas ocasiones y debido a una mala conexión o por el uso de cables de baja calidad, pueden aparecer importantes problemas en la reproducción sonora.

5.3. Ruido de fondo

El empleo de circuitería activa puede aportar, según configuración, un nivel de ruido de fondo más o menos elevado. El mezclador HAK360 ha sido concebido para obtener el menor ruido de fondo posible. Independientemente de la concepción electrónica con que se haya realizado el mezclador, el nivel de ruido dependerá directamente de la correcta utilización e instalación de la unidad de mezcla. No es lo mismo, por ejemplo, tener el fader de una vía a "2" y el Master a "10" que a la inversa. En el primer caso, la señal que llega al amplificador de mezcla, que intrínsecamente tiene un nivel de ruido de fondo propio, es débil, por lo que la relación señal/ruido es baja (poca señal). Cuando el amplificador de salida sobredimensione indistintamente todo el conjunto tendremos a la salida un nivel de ruido de fondo muy elevado. En el segundo caso, al estar el fader al máximo la señal que recibe el amplificador de mezcla es grande y por tanto con una relación señal/ruido grande también, por lo tanto cuando esta señal llegue al Master y sea amplificada, guardará mejor relación que en el caso anterior.

5.4. Limpieza

La carátula no deberá limpiarse con sustancias disolventes o abrasivas puesto que se corre el riesgo de deteriorar la serigrafía. Para su limpieza se utilizará un trapo humedecido con agua y un detergente líquido neutro, secándola a continuación con un paño limpio. En ningún caso se debe permitir la entrada de agua por cualquiera de los orificios del aparato.

NOTICE D'UTILISATION

1. NOTE IMPORTANTE	22
2. INTRODUCTION	22
3. INSTALLATION	23
3.1. Emplacement et montage	23
3.2. Sources de signal	24
3.2.1 Platine	24
3.2.2 Microphones	24
3.2.3 Lecteur CD, Minidisc, magnétophone...	24
3.2.4 Accès direct au mixage principal	24
4. FONCTIONNEMENT ET UTILISATION	25
4.1. Mise en service	25
4.2. Système de contrôle	25
4.3. Gain des voies	25
4.4. Egalisation de voie	26
4.5. Commutateur "Program Reverse"	26
4.6. Faders ECLER	26
4.7. Crossfader ETERNAL	26
4.8. Effets "Cut"/"Transform"	27
4.9. Composants remplaçables (faders, crossfader, interrupteurs)	28
4.10. Envoi vers des unités d'effets extérieures	28
4.11. Sorties	28
5. REMARQUES	29
5.1. Boucle de masse	29
5.2. Branchement audio	29
5.3. Bruit de fond	29
5.4. Entretien	29
6. CARACTÉRISTIQUES TECHNIQUES	40
7. SCHÉMAS	41
7.1. Schémas	41
7.2. Liste des fonctions	43
7.3. Schéma de fonctionnement	44
7.4. Blocs de diagrammes	45

Ecler se réserve le droit d'apporter des modifications de toute sorte sur ses produits qui peuvent altérer leurs spécifications.

1. NOTE IMPORTANTE

Félicitations ! Vous venez d'acquérir un authentique équipement professionnel ECLER. Le HAK360 "Performance Mixing Instrument" est le fruit d'une recherche menée en collaboration avec de prestigieux DJs. Soumis à des contrôles très stricts lors de sa fabrication, le HAK360 intègre des composants de haute qualité.

Cette console est particulièrement destinée aux applications de Hip-Hop. Ses caractéristiques lui permettent de répondre tout particulièrement aux spécificités du "scratch", du "beat juggling" ou à celles d'autres techniques "Turntablist". Mais le HAK360 peut très bien être utilisé pour d'autres styles musicaux, tels que la House, la Trance, le Drum'n'Bass ou la Techno.

Afin de tirer le meilleur de cet équipement et de profiter d'un rendement maximal de celui-ci, il est indispensable, avant de procéder à son raccordement, de lire ce manuel avec le plus grand soin et de tenir compte des informations qu'il contient. En vue de garantir un fonctionnement optimal de cet appareil, il est fortement recommandé de laisser à nos services techniques le soin de procéder à sa maintenance ainsi qu'à d'éventuelles réparations.

Cette console doit être raccordée à la terre via son câble secteur.



Ne pas exposer l'équipement à la pluie ou à des éclaboussures. Ne poser sur ce dernier aucun récipient contenant du liquide, ni aucun objet incandescent tel qu'une bougie. Enfin, veiller à ne pas obstruer les grilles de ventilation de ce dernier.

Toute modification de la configuration de l'unité doit être exécutée par un technicien qualifié. Avant toute connexion ou déconnexion de la console, s'assurer que celle-ci n'est plus raccordée à la tension secteur.



ATTENTION: RISQUE DE CHOC ELECTRIQUE. NE PAS OUVRIR.

2. INTRODUCTION

Le HAK360 est une console de mixage quatre voies équipée de deux faders (LINE et PHONO), d'une entrée pour microphone et de la fonction "Session-Mix". L'appareil dispose de sorties symétriques pourvues de connecteurs XLR3. Il intègre également la nouvelle source d'alimentation ECLER, qui optimise la dynamique musicale et offre une grande versatilité de raccordement au secteur. Cette source fonctionne à des tensions variant entre 90 et 264 V (de 47 à 63 Hz), sans qu'il soit nécessaire de réaliser le moindre réglage interne (quel que soit le pays concerné).

La grande nouveauté du HAK360 réside dans l'intégration d'un crossfader inductif ETERNAL, fruit d'un concept de crossfader ne faisant appel à aucun contact. Vivement attendu, il est aujourd'hui développé exclusivement par ECLER (brevet en cours d'homologation). Ce système ETERNAL à champ magnétique, combiné à un mécanisme de glissières haut de gamme, donne au crossfader un mouvement incroyablement doux, un "temps de coupure" instantané et bien sûr une durée de vie pratiquement illimitée. Ce système ETERNAL autorise, outre les commandes habituelles REVERSE et SHAPE (courbe de transition), de nouvelles fonctions uniques : un dispositif électronique de réglage du "temps de coupure" (CUT IN TIME) ainsi que la sélection du mode de fonctionnement du crossfader (fondu-enchaîné ou commutation directe). Ces nouvelles prestations de la HAK optimisent l'exécution d'opérations de type "battle".

En contraste avec les faders traditionnels, les nouveaux faders de voie ECLER combinés à un système VCA haute qualité présentent une longévité plus grande et permettent d'inverser la courbe d'atténuation (réglage SHAPE pour "Mixage" ou "Scratching"). La durée de vie de ces potentiomètres a, lors de tests réalisés par ECLER, dépassé l'équivalent de 4.000.000 opérations.

Le HAK360 comporte 2+2 voies mixables (voie 1, voie 2, Session et microphone) avec 5+1 entrées stéréo et une entrée microphone (2 Phono, 2 Line, 1 Session et 1 Microphone). Les deux voies principales disposent de réglages d'égalisation tri-bandes avec fonction CUT, d'un contrôle de gain, d'un réglage de balance, d'un interrupteur de coupure CUT et de la fonction PFL, afin de contrôler visuellement (via le VU-METRE) et acoustiquement (à l'aide du casque) tout signal présent sur les entrées de la table.

3. INSTALLATION

3.1. Emplacement et montage

Le principal critère dont il faut tenir compte au moment de choisir l'emplacement de la nouvelle console HAK doit être le confort optimal de travail de l'opérateur, ainsi que la facilité de réalisation des connexions sur la console. Le HAK360 est conçu comme une console prévue pour être installée entre deux lecteurs CD ou platines vinyles. Le kit de profilés latéraux métalliques (disponible en option) (Fig. 1) permet de fixer solidement l'appareil, que ce soit directement sur la surface sur laquelle il est en appui ou bien sur les profilés latéraux en question. Ces derniers permettent également d'incliner la console.

En raison du gain élevé des entrées PHONO et MICRO, le HAK360 doit être installé le plus loin possible des sources de bruit (variateurs de tension, moteurs, etc.) et de tout câble secteur. Pour cette raison et en aucune circonstance, le capot métallique de l'appareil ne doit être retiré.

La consommation du HAK360 étant très faible, aucune ventilation n'est nécessaire. Il faut cependant éviter de l'exposer à des températures extrêmes et veiller à ce que l'atmosphère du local où il est installé soit la plus sèche et la plus exempte de poussière possible.

Le HAK360 fonctionne à l'aide d'une alimentation à découpage de type universel. L'utilisateur peut ainsi travailler sans avoir à réaliser le moindre réglage préalable à partir d'une tension susceptible de varier entre 90 et 264 V (47-63 Hz). Afin de limiter le risque de ronflements, veiller à ce que le câble secteur soit éloigné des câbles véhiculant les différents signaux.

En vue de protéger la console d'éventuelles surcharges secteur, cette dernière est équipée d'un fusible 500 mA. En cas de fonte de celui-ci, déconnecter la console et remplacer le fusible par un autre de caractéristiques identiques. Si celui-ci devait également fondre, consulter notre service technique.

ATTENTION : NE JAMAIS COURT-CIRCUITER LE DISPOSITIF DE PROTECTION OU INSTALLER UN FUSIBLE DE VALEUR PLUS ELEVÉE.



REMARQUE: Le changement des fusibles doit être effectué par un personnel technique qualifié.

3.2. Sources de signal

3.2.1 Platine

Celle-ci doit être équipée d'une cellule magnétique et d'une pointe en parfait état. Une cellule et une pointe spéciales doivent être prévues si l'on souhaite recourir au "scratching". La pointe doit être remplacée environ toutes les 500 heures. La cellule doit être capable de délivrer un niveau de sortie nominal compris entre 5,6 et 140 mV. Étant donné que les entrées PHONO (8) de la console HAK360 ont une capacité de surcharge importante, des cellules ayant un niveau de sortie supérieur peuvent être admises. Si l'on souhaite utiliser des cellules à bobine mobile, celles-ci doivent jouir d'un niveau de sortie élevé. Dans le cas contraire, il est nécessaire de prévoir un transformateur extérieur à la console et situé le plus près possible de la platine.

Veiller à la bonne assignation des voies aux entrées RCA. S'assurer que la prise de terre de la platine est bien raccordée à la prise GND (4) du HAK360.

3.2.2 Microphones

Les connecteurs du microphone sont du type "COMBO" (mi-XLR-3 / mi-jack 6,35 mm) (16). Ces entrées permettent de réaliser des connexions symétriques. Pour cela, respecter les indications suivantes :

	XLR 3	Jack 6,35 mm
Point chaud ou signal direct	Borne 2	Pointe
Point froid ou signal inversé	Borne 3	Bague centrale
Masse	Borne 1	Base

Les microphones doivent être de basse impédance (200 à 600 Ω) et mono. Pour les connexions NON symétriques, strapper les bornes 1 et 3 du connecteur XLR ou utiliser un jack mono. On peut également effectuer une connexion asymétrique à l'aide d'un connecteur jack stéréo, en réalisant un strap entre le point froid et la masse.

La voie assignée au microphone dispose d'une connexion INSERT (14) permettant l'insertion d'effets, uniquement sur cette voie. Cette opération se fait via le jack 6,35 mm (le départ correspondant à la pointe et le retour à la bague centrale).

3.2.3 Lecteur CD, Minidisc, magnétophone...

Les dispositifs à sortie "Ligne" comme les lecteurs de CD et magnétophones, les MiniDisc ou les équipements vidéo doivent être raccordés aux entrées LINE (7) qui acceptent toutes des signaux de ce type. La sensibilité de ces entrées est de -10 dBV, conférant ainsi à la console une totale adaptabilité à l'ensemble des sources sonores actuellement disponibles.

3.2.4 Accès direct au mixage principal

Le HAK360 dispose d'un accès direct au bus de mixage principal [MIX (5)], qui permet son raccordement à des systèmes d'effets extérieurs. De plus, l'entrée SESSION (6) autorise le raccordement en série (en cascade) du HAK360 avec d'autres consoles. Cette fonctionnalité est surtout exploitée en situation "Team Battle".

4. FONCTIONNEMENT ET UTILISATION

4.1. Mise en service

Cette mise en service s'effectue à l'aide de l'interrupteur (1) situé sur le panneau arrière. Immédiatement, les LEDs "ON" inférieures du VU-METRE s'allument. Bien que le bruit produit par la mise en marche du HAK360 soit minimale et pratiquement inexistant si l'opération est exécutée avec les faders fermés, il est vivement conseillé de mettre en marche tous les appareils en respectant la séquence suivante :

1. sources sonores.
2. unité de mixage, égaliseurs, filtres actifs.
3. et enfin amplificateurs de puissance.

L'arrêt des équipements doit se faire en respectant la séquence inverse. En suivant cet ordre, les crêtes ou les surtensions transitoires produites par la mise sous/hors tension des appareils n'affectent pas ces derniers, et par conséquent n'atteignent pas les haut-parleurs.

4.2. Système de contrôle

Le HAK360 est équipé d'un système de pré-écoute flexible, grâce auquel il est possible de contrôler visuellement les signaux PFL (Pre-Fader Listening) et PGM (Program) via le VU-METRE, et/ou acoustiquement à l'aide du casque.

Lors d'une écoute au casque, le commutateur PGM/PFL (33) autorise la sélection entre les signaux prefader ou postfader. En position PGM, l'opérateur accède directement au signal postfader correspondant à la "programmation". En position PFL, le crossfader PFL (35) permet de réaliser un mixage rapide entre les deux signaux prefader d'entrée.

Via le sélecteur PFL/PGM (34) il est possible de visualiser les signaux PFL1 sur le VU-METRE VU1 et les signaux PFL2 sur le VU-METRE VU2. En position PGM, le mixage postfader peut être contrôlé.

4.3. Gain des voies

Toutes les voies d'entrée du HAK360 disposent de réglages accessibles de sensibilité [GAIN (20) et ADJ (15)]. Ces derniers compensent les différences de niveau existant entre les diverses sources sonores raccordées à la console, avant qu'elles ne soient mixées.

Les réglages de gain doivent être effectués avec le plus grand soin, à l'aide du VU-METRE et du casque. Lors de cette opération, veiller à ce que les voyants rouges ne soient jamais tous allumés en permanence, ce qui risquerait d'exposer la console à une saturation des entrées. Le réglage (ADJ 15) correspondant à l'entrée MIC figure sur le panneau arrière de la console.

4.4. Egalisation de voie

Le dispositif de contrôle de tonalité des deux voies principales offre une plage de réglage comprise entre -30 et +10 dB pour les voies des graves et des aigus et entre -25 et +10 dB pour la voie des médium. Cette amplitude permet de réaliser progressivement l'effet de suppression "KILL" et finalement d'annuler complètement les fréquences surpassant la fréquence de coupure. Sur le conseil de DJs expérimentés, les potentiomètres de la section "égalisation" ont été disposés à l'horizontale. Cet emplacement permet à l'utilisateur de travailler dans des conditions confortables, favorisant par là-même une égalisation toute intuitive. Le HAK360 dispose en plus d'un réglage de balance pour chaque voie d'entrée.

La voie MIC est également pourvue d'un contrôle de tonalité bi-bandes (graves et aigus).

ATTENTION : il est recommandé d'utiliser ces commandes avec précaution, car un gain maximal peut être à l'origine de déplacements dangereux pour les membranes de haut-parleurs.

4.5. Commutateur "Program Reverse"

Ce commutateur (22) dirige les sources sonores de l'entrée INPUT 1 vers l'entrée INPUT 2 et inversement, tout en conservant les réglages de gain précédents.

4.6 Faders ECLER

Le HAK360 est équipé de la nouvelle génération de faders ECLER. Précis, d'une manipulation extrêmement douce, doté d'un "temps de coupure" très rapide et d'un VCA ECLER (VCA : Voltage controlled Amplifier), il a, lors de tests, résisté avec succès à plus de 4.000.000 de manipulations.

Grâce au VCA, il est possible de modifier les réglages de gain/d'atténuation des faders. Les commandes "Curve Adjustment" permettent quant à elles d'ajuster les réglages "fade in" et "fade out" relatifs à chacune des voies. De même, les potentiomètres Shape (44) situés sur la face avant de la console autorisent un réglage indépendant de la courbe d'action, afin que celle-ci soit plus abrupte "Sharp" (Scratching) ou plus douce "Soft" (Mixage). Enfin, chaque voie intègre la fonction REVERSE, également connue sous le nom "Hamster Switch" (43), dont l'activation inverse la direction normale du crossfader. Selon la direction sélectionnée, il est alors possible d'obtenir des effets "cuts" et "transforms", en déplaçant les faders dans le même sens.

Pour procéder au remplacement des faders ECLER, se reporter au paragraphe 4.9.

4.7 Crossfader ETERNAL

Le crossfader ECLER "ETERNAL" fait appel à la technologie inductive, fondée sur un système de commande à champ magnétique. Un écran en aluminium extrêmement léger (0,5 grammes) coupe, lors de leur déplacement, les ondes générées entre deux jeux de bobines. La variation du flux électromagnétique commande à son tour un amplificateur contrôlé par tension. Ce dernier se charge directement d'influer sur le signal audio. Cette technologie, où les contacts sont désormais absents, combinée à un dispositif mécanique exclusif de glissières, donne un toucher très fluide et fait du potentiomètre ETERNAL l'un des crossfaders les plus précis actuellement disponibles.

Le concept "ETERNAL" présente des avantages évidents comparé à d'autres systèmes existants qui utilisent la technologie de l'optique. En effet, à la différence de ces derniers, le concept inductif résiste à la fumée, à l'humidité, aux variations de température et au vieillissement.

D'autres systèmes électromagnétiques existant sur le marché intègrent des éléments mobiles très lourds (aimants et plaques métalliques) ou des axes présentant un jeu excessif. Tous ces facteurs nuisent au toucher du crossfader et sont à l'origine de manipulations imprécises, notamment en cas de "Scratching" et de "Beat Juggling".

Grâce à cette technologie ETERNAL qui lui permet d'affiner son comportement, le crossfader du HAK360 offre des réglages d'une grande précision :

- SELECTEUR CROSSMODE (45). Selon la nature des "scratches" que l'utilisateur souhaite réaliser, il a la possibilité de choisir entre les modes FADE (fondu-enchaîné) ou SWITCH (commutation rapide). Avec le premier, il obtient une courbe très progressive tandis qu'avec le second mode (SWITCH), le comportement est pratiquement celui d'un interrupteur, ce qui convient parfaitement à des "scratches" rapides. De plus, le potentiomètre SHAPE permet un réglage fin des deux modes.

- SHAPE (48). Ce potentiomètre situé sur la face avant de l'appareil permet de régler la pente du crossfader (de douce "soft" à plus abrupte "hard").

- Interrupteur REVERSE (46). Egalement appelé HAMSTER, ce réglage permet d'inverser la direction normale de fonctionnement du crossfader. Selon la direction sélectionnée, il est alors possible d'obtenir des effets "cuts" et "transforms", en déplaçant les faders dans le même sens.

- Correction électronique du "CUT in TIME" (47). Ce "temps de coupure" correspond à la distance existant entre la fin physique du crossfader et le premier point d'entrée des signaux. La position la plus courte autorise un "temps de coupure" pratiquement instantané. Pour l'obtenir, il faut placer le potentiomètre en position extrême (programme musical totalement atténué) et tourner sur la droite le potentiomètre CUT IN TIME, jusqu'à obtention du signal musical. Si l'on désire augmenter ce "temps de coupure", il suffit de tourner le potentiomètre sur la gauche.

4.8. Effets "Cut"/"Transform"

Les deux commutateurs CUT (36) du HAK360 sont des composants d'excellente qualité, dont la précision et la durabilité n'est plus à démontrer. Ces derniers permettent de désactiver totalement la voie correspondante, de la même manière qu'un crossfader réglé en position "Hard" (transition rapide). Si cette coupure se fait en fonction du tempo, on obtient alors l'effet "Transform" bien connu.

Il est possible, en démontant la face avant, de modifier et de personnaliser le sens de basculement des commutateurs (8 positions possibles). Pour plus de précisions, se reporter au paragraphe 4.9. ci-dessous.

4.9. Composants remplaçables (faders, crossfader, interrupteurs)

Le HAK bénéficie d'une structure interne modulaire, au sein de laquelle les principaux composants présentant une usure plus rapide ont été volontairement montés de manière à faciliter leur changement : les deux faders principaux, le crossfader et les interrupteurs de coupure. Tous ces composants peuvent être remplacés à l'aide d'un simple tourne-vis, étant donné qu'ils utilisent des connecteurs multibroches.

Pour remplacer une pièce, respecter la procédure suivante :

1. Retirer les boutons des faders, situés à la surface de la console.
2. Desserrer les vis extérieures qui maintiennent la façade.
3. Extraire l'unité.
4. Retirer les vis correspondant à l'élément que l'on souhaite changer.
5. Débrancher avec soin les connecteurs multibroches.
6. Remplacer le composant par un autre de caractéristiques identiques.
7. Raccorder les connecteurs multibroches libérés à l'étape 5.
8. Replacer l'unité dans sa cavité.
9. Visser cette dernière à la carcasse.
10. Replacer les boutons sur la face avant.

ATTENTION : veiller à toujours utiliser des pièces de rechange ECLER.

4.10. Envoi vers des unités d'effets extérieures

Les deux voies mixable du HAK360 disposent d'un bouton-poussoir (31) qui permet de réaliser un envoi vers une unité d'effet extérieure (Reverb, sampler, etc) intégrée au mixage. Lorsque le bouton-poussoir est enfoncé, l'envoi est activé et la LED correspondante s'allume (30).

La sortie EFF (12) se raccorde à l'entrée de l'unité d'effets stéréo et la sortie de cette dernière à l'entrée MIX (5) de la console. Cette entrée donne un accès direct au bus de mixage principal, sans aucun réglage de volume ou de tonalité.

4.11. Sorties

Casque : Pour obtenir le meilleur rendement possible, celui-ci doit être de haute impédance (200-600 Ω). Il se raccorde à la sortie PHONES (42) par un connecteur jack standard 6,35 mm stéréo. La bague du jack sert de masse, l'anneau central de canal droit et la pointe de canal gauche.

Le HAK360 est équipé de deux sorties OUT principales : OUT1 (10-11), symétrique avec connecteurs XLR-3 (0 dB / 600 Ω) et la sortie OUT2 (9) connecteurs RCA, (+6 dB / 1k Ω). Ces deux sorties sont associées à des potentiomètres rotatifs, c'est-à-dire qu'elles sont totalement indépendantes. Il est possible de les modifier par des réglages internes (+6 dBV (2V) ou 0 dBV (1V) (Fig. 2), à l'aide de cavaliers. Le HAK360 intègre également un voyant lumineux de sortie qui s'allume lorsque le niveau détecté à la sortie OUT 1 dépasse sa valeur nominale (1 V).

Il peut arriver que ce voyant clignote en cours d'utilisation de la console, mais il ne doit jamais demeurer allumé en permanence.

ATTENTION : Il faut veiller, lorsque l'on manipule le niveau général de sortie de la table de mixage, à ce que les indicateurs de "clip" des amplificateurs de puissance raccordés ne soient jamais allumés en permanence ou, si tel doit être le cas, s'assurer qu'ils le sont en rapport avec l'amplitude des graves.

Le HAK dispose d'une sortie enregistrement REC (13) pourvue d'un niveau nominal 0 dBV pour une charge de 10 k Ω .

5. REMARQUES

5.1. Boucle de masse

S'assurer que toutes les sources de signal qui arrivent à la console de mixage ainsi que tous les appareils qui sont raccordés à sa sortie, n'ont pas les masses interconnectées, c'est à dire que la masse n'arrive pas par deux ou trois voies différentes; en effet, ceci peut provoquer des bruits qui altèrent le signal sonore. S'assurer que les blindages des câbles soient connectés au châssis sans jamais être reliés entre eux afin d'éviter la formation de boucles de masse.

5.2. Branchement audio

D'une manière générale, s'assurer que les connexions des sources soient les plus courtes possibles et que l'on ait employé des câbles et des connecteurs d'excellentes qualités. Bien souvent, on ne prête pas assez d'intérêt à la qualité du câble et de sa connexion alors que des problèmes de ronflement pourraient être évités.

5.3. Bruit de fond

L'emploi de circuits actifs peut amener, suivant la configuration du circuit, un niveau de bruit de fond plus ou moins élevé. La HAK360 a été conçue pour obtenir le moins de bruit de fond possible. Indépendamment de la conception électronique avec laquelle ont été réalisées les consoles de mixage, le niveau de bruit dépend directement de la bonne installation et de l'utilisation correcte de la table de mixage.

Il faut éviter par exemple de mettre le "FADER" à 2 et le "MASTER" à 10. Il est conseillé de faire l'inverse (c'est à dire le "FADER" à 10 et le "MASTER" à 2).

1er cas : Fader à 2 et Master à 10

Le signal qui arrive à l'amplificateur de mélange, qui par principe, a un bruit de fond propre, est faible, donc le rapport signal/bruit est bas (peu de signal). L'amplificateur de mélange amplifiant sans distinction l'ensemble, on aura à la sortie un niveau de bruit de fond très élevé.

2ème cas : Fader à 10 et Master à 2

Le Fader étant au maximum, le signal que reçoit l'amplificateur de sortie est élevé et le rapport signal/bruit sera automatiquement bien meilleur que dans le cas précédent.

5.4. Entretien

Il est interdit d'utiliser des substances dissolvantes ou abrasives pour nettoyer la face avant, celles-ci détériorant la sérigraphie. Nettoyer uniquement avec un chiffon humide. Attention! Jamais de l'eau ou tout autre liquide ne doit pénétrer par les orifices du panneau de commande.

BEDIENUNGSANLEITUNG – MANUAL

1. WICHTIGE HINWEISE	32
2. EINFÜHRUNG	32
3. INSTALLATION	33
3.1. Aufstellung und Montage	33
3.2. Eingangssignalquellen	34
3.2.1. Plattenspieler	34
3.2.2. Mikrofone	34
3.2.3. CD-Player, Mini-Disc, Bandgerät...	34
3.2.4. Direkter Zugang zum Main Mix	35
4. BEDIENUNG	35
4.1. Einschalten	35
4.2. Monitorsystem	35
4.3. Kanal-Vorverstärkung	35
4.4. Kanal-Klangregelung (Equalizer)	36
4.5. Program Reverse-Schalter	36
4.6. ECLER Fader	36
4.7. ETERNAL Crossfader	36
4.8. Cutter/Transformer	37
4.9. Austauschbare Komponenten (Fader, Crossfader, Schalter)	38
4.10. Verwendung externer Effektgeräte	38
4.11. Ausgänge	38
5. WEITERE BEMERKUNGEN	39
5.1. Erdungsschleifen	39
5.2. Audioanschlüsse	39
5.3. Hintergrundrauschen	39
5.4. Reinigung	39
6. TECHNISCHE DATEN	40
7. GRAFISCHE DARSTELLUNGEN	41
7.1. Abbildungen	41
7.2. Funktionsübersicht	43
7.3. Anschlüsse und Bedienelemente	44
7.4. Schaltbild	45

Alle Angaben sind ohne Gewähr. Messwerte können produktionsbedingten Schwankungen unterliegen. ECLER SA nimmt sich das Recht heraus Veränderungen am Gerät vorzunehmen, die zur Verbesserung des Produktes beitragen.

1. WICHTIGE HINWEISE

Herzlichen Glückwunsch! Sie sind Besitzer eines echten ECLER Professional-Gerätes. Die Entwicklung des HAK360 Performance Mixers erfolgte in enger Zusammenarbeit mit führenden Performern. Der HAK360 verwendet nur höchstwertige Komponenten und wird unter strikter Qualitätskontrolle produziert.

Der HAK360 ist ein wahres Hip-Hop-Instrument, das speziell für Scratching, Beat Juggling und andere „Turntablist“-Techniken ausgelegt ist – aber natürlich eignet er sich ebenso gut für andere Musikrichtungen wie House, Trance, Drum 'n' Bass oder Techno Mixing.

Für eine optimale Bedienung und Nutzung Ihres Mixers ist es SEHR WICHTIG – bevor Sie irgend etwas anschließen –, diese Bedienungsanleitung aufmerksam zu lesen und alle darin enthaltenen Ausführungen strikt zu beachten. Es wird dringend empfohlen, Wartungs- und Reparaturarbeiten nur von unserem autorisierten Technikerservice ausführen zu lassen.



Dieses Gerät muss über sein Netzkabel geerdet werden.

Setzen Sie das Gerät nicht Regen oder Spritzwasser aus und stellen Sie keine Flüssigkeitsbehälter oder brennende Kerzen auf ihm ab. Halten Sie alle Lüftungsschlitze frei.

Jegliche Änderungen am Gerät dürfen nur von einem qualifizierten Techniker vorgenommen werden. Trennen Sie das Gerät vor dem Herstellen/Lösen von Verbindungen stets vom Netz.



ACHTUNG STROMSCHLAGGEFAHR - NICHT ÖFFNEN!

2. EINFÜHRUNG

Der HAK360 ist ein Vierkanalmixer, der in zwei Channel Fader (Line- oder Phono Fader), einen voll ausgestatteten Mikrofoneingang und eine Session-Mix-Funktion unterteilt ist. Das Gerät verfügt über professionelle, symmetrische XLR-Ausgänge sowie ein neues, überdimensioniertes ECLER-Schaltnetzteil, das erheblich bessere Dynamikeigenschaften bietet und eine hoch flexible Spannungsversorgung ermöglicht. Dieses neue Schaltnetzteil arbeitet mit Netzspannungen zwischen 90 und 264 V bei Netzfrequenzen zwischen 47 und 63 Hz, ohne eine interne Umstellung vornehmen zu müssen – damit passt sich das Gerät an die Netzspannungen sämtlicher Länder dieser Welt an!

Das revolutionär Neue am HAK360 ist die Integration eines ETERNAL Inductive Crossfaders, dessen lang erwartetes, kontaktloses Konzept exklusiv von ECLER entwickelt wurde (patentiert). Das spezielle ECLER-Magnetfeldsystem in Verbindung mit einem hochqualitativen Gleitsystem verleihen dem ETERNAL Crossfader unglaubliche Leichtgängigkeit, augenblickliche Cut-In-Ansprache und natürlich wirklich unbegrenzte Lebensdauer. Zusätzlich zu den Standardfunktionen REVERSE und SHAPE ermöglichte das ETERNAL Inductive Fade-System einzigartige „Tuning“-Features, die den HAK360 bestens für die „Schlacht“ rüsten: Elektronische CUT-IN-TIME-Korrektur und CROSSMODE (Fade/Switch Crossfader Modes).

Die neuen ECLER Channel Fader sind Teil einer hochwertigen VCA-Steuerung. Diese Regler bieten im Vergleich zu konventionellen Reglern eine erheblich höhere Lebensdauer sowie die Möglichkeit, die Attenuation-Kurve zu modifizieren und umzukehren (Shape-Einstellung für „Mixing“ und „Scratching“). Die ECLER Laboratories haben die Fader-Lebensdauer mit bis zu 4.000.000 Bewegungen auf eine harte Probe gestellt!

Der HAK360 verfügt insgesamt über 2+2 mischbare Kanäle (Channel 1, Channel 2, Session, Mic) mit 5+1 stereophonen Eingängen und einem Mikrofoneingang (2 x Phono, 2 x Line, 1 x Session, 1 x Mikrofon). Die Ausstattung der zwei Hauptkanäle umfasst einen Dreiband-Equalizer mit vollem Frequenz-Cut, einen Gain-Regler, einen Balance-Regler, einen neuen, ergonomisch geformten Channel CUT-Wechselschalter sowie eine PFL-Funktion, die Sie den Pegel direkt im VU-Meter anzeigen und im Kopfhörer überprüfen lässt.

3. INSTALLATION

3.1. Aufstellung und Montage

Bei der Aufstellung Ihres HAK sollten Sie größten Wert auf bequeme Bedienung und einfachen Zugang zu allen Anschlüssen legen. Der HAK360 ist als Tischmischer konzipiert, der seinen Platz im allgemeinen zwischen zwei Plattenspielern oder CD-Playern findet. Die optionalen Metall-Seitenprofile lassen Sie Ihren HAK fest auf seiner Standfläche verankern (Abb.1). Diese Profile gestatten es außerdem, den Mixer zu kippen, was seine Bedienung noch angenehmer macht.

Wegen der hohen Vorverstärkung der PHONO- und MICROPHONE-Eingänge sollten Sie den Mixer nach Möglichkeit möglichst weit entfernt von Störquellen (Dimmer, Elektromotoren etc.) und Netzleitungen postieren. Aus demselben Grund sollten Sie den HAK keinesfalls ohne seine Metallabdeckung benutzen.

Der Stromverbrauch des HAK ist sehr niedrig, so dass er keinerlei Kühlung benötigt – trotzdem sollten Sie einen Betrieb unter extrem hohen Temperaturen vermeiden. Die Aufstellungsumgebung sollte möglichst trocken und staubfrei sein.

Das neue Schaltnetzteil des HAK360 hat einen Universal-Spannungseingang, der ohne interne Modifizierung mit Netzspannungen von 90 - 264 V und Netzfrequenzen von 47 - 63 Hz zurecht kommt. Achten Sie darauf, das Netzkabel weit entfernt von den Signalkabeln zu verlegen, um mögliche Brummgeräusche zu verhindern.

Vor möglichen Überspannungen schützt das Gerät eine 500-mA-Sicherung. Sollte sie einmal durchbrennen, trennen Sie das Gerät vom Netz und ersetzen sie durch eine Sicherung identischen Typs. Falls auch die neue Sicherung durchbrennt, sollten Sie sofort Ihren autorisierten Technikerservice kontaktieren.

ACHTUNG: SCHLIESSEN SIE NIEMALS DIE SICHERUNGSLEITUNG KURZ, UND VERWENDEN SIE NIEMALS EINE STÄRKERE SICHERUNG!



ACHTUNG: Das Auswechseln der Sicherung muss von einem qualifizierten Techniker durchgeführt werden.

3.2. Eingangssignalquellen

3.2.1. Plattenspieler

Plattenspieler benötigen einen Tonabnehmer sowie eine intakte Nadel. Benutzen Sie für harten Scratching-Einsatz vorzugsweise Spezialtonabnehmer und -Nadeln. Denken Sie ferner daran, die Nadel nach etwa 500 Stunden Gebrauch auszutauschen. Die verwendeten Magnettonabnehmer müssen einen nominalen Ausgangspegel von 5,6 - 140 mV liefern. Die PHONO-Eingänge (8) des HAK360 verfügen über ausreichenden Headroom auch für Tonabnehmer mit hohem Ausgangspegel. Bei Verwendung von Moving Coil-Abnehmern mit niedrigem Ausgangspegel ist ein externer Vorverstärker erforderlich, der möglichst nah am Plattenspieler zu postieren und zwischen Tonabnehmer und Mixer zu schalten ist.

Achten Sie auf die korrekte Zuordnung von Channels und Phono-Eingängen und vergessen Sie nicht, das Erdungskabel des Plattenspielers mit dem GND-Anschluss (4) des HAK zu verbinden.

3.2.2. Mikrofone

Der HAK ist mit COMBO-Eingängen ausgestattet – zu einem Anschluss kombinierte XLR-3- und Klinkenbuchsen. Schließen Sie das Mikrofon am MICRO-Eingang (16) an der Rückwand an und benutzen Sie den kleinen ADJ-Regler (15) darunter zur Einstellung des Mic-Gains. Die COMBO-Anschlüsse gestatten die Verwendung symmetrischer Leitungen. Die Belegung dieser Anschlüsse ist wie folgt:

	XLR 3	Stereoklinke
HEISSES oder direktes Signal	Pin 2	Spitze
KALTES oder invertiertes Signal	Pin 3	Ring
ABSCHIRMUNG	Pin 1	Schaft

Es sind monophone Mikrofone mit niedriger Impedanz (200 - 600 Ω) zu verwenden. Benutzen Sie bei nicht-symmetrischen Mikrofonen für den Anschluss Monoklinken oder Stereoklinken mit einer Brücke zwischen Ring und Schaft. Bei Verwendung von XLR-Steckern für unsymmetrische Signale ist Pin 1 mit Pin 3 kurz zu schließen.

Der Mikrofonkanal verfügt über einen INSERT-Anschluss (14) zum Einschleifen externer Effektgeräte nur in diesen Kanal. Dazu ist ein Kabel mit Stereoklinkensteckern zu benutzen – Spitze des Steckers = Send-Signal, Ring = Return-Signal.

3.2.3. CD-Player, Mini-Disc, Bandgerät...

Geräte mit Line-Pegel wie CD-Player, Bandmaschinen, Mini-Disc- oder Videorecorder sind an allen LINE-Eingängen (7) anschließbar – sie sind für hohe Signalpegel ausgelegt. Die Eingangsempfindlichkeit der LINE-Eingänge beträgt -10 dBV, so dass wirklich jede Audioquelle angeschlossen werden kann.

3.2.4. Direkter Zugang zum Main Mix

Der HAK360 bietet über seinen MIX-Eingang (5) direkten Zugang zum Main Mixing-Bus und ermöglicht auf diese Weise die Einbindung externer Effektgeräte. Der SESSION-Eingang (6) gestattet es darüber hinaus, andere Mixer mit dem HAK zu verbinden, besonders vorteilhaft für „Team Battles“.

4. BEDIENUNG

4.1. Einschalten

Zum Einschalten des Mixers drücken Sie den POWER-Schalter (1) an der Geräterückwand – die zwei untersten LEDs (ON) des VU-Meters leuchten auf. Obwohl der HAK360 nur ein sehr leises und bei geschlossenen Haupt-Fadern kaum vernehmbares Einschaltgeräusch produziert, empfehlen wir dennoch zur Sicherheit die Einhaltung folgender Einschaltreihenfolge:

1. Sound-Erzeuger
2. Mixer, Equalizer, aktive Filter
3. Endstufen.

Das Ausschalten der Geräte sollte in umgekehrter Reihenfolge erfolgen, um eine Beschädigung der Lautsprecher unter allen Umständen zu vermeiden.

4.2. Monitorsystem

Der HAK ist mit einem flexiblen, unkomplizierten Monitorsystem ausgestattet, das es dem Operator erlaubt, die PFL (Pre-Fader Listening)- und PGM (Program Monitor)-Pegel der Haupteingänge mittels VU-METER und HEADPHONES präzise einzustellen.

Im HEADPHONES-Monitor-Modus lässt Sie der PGM/PFL-Schalter (33) zwischen Post-Fader- und Pre-Fader Listening wählen. In der Schalterstellung PFL dient der Crossfader (35) zum schnellen Überblenden zwischen den beiden vorzuhörenden Kanälen.

Das VU-Meter des HAK360 kann PFL-Monosignale (VU1-PFL1 / VU2-PFL2) oder das PGM Mix-Signal (PGM-Summe) anzeigen – die gewünschte Einstellung ist mittels des PFL/PGM-Wahlschalters (34) vorzunehmen.

4.3. Kanal-Vorverstärkung

Die Eingangsempfindlichkeit der Eingangskanäle des HAK360 ist mittels der GAIN- (20) bzw. des ADJ-Reglers (15) einstellbar. Diese Regler dienen dazu, Pegelunterschiede der angeschlossenen Soundquellen auszugleichen.

Die Eingangsempfindlichkeit ist anhand des VU-Meters und/oder des Kopfhörersignals so einzustellen, dass die roten LEDs des VU-Meters nicht aufleuchten, da sonst Signalverzerrungen (Übersteuerungen) auftreten. Der Gain-Regler (ADJ) für den MICRO-Eingang (15) befindet sich an der Rückwand des HAK.

4.4. Kanal-Klangregelung (Equalizer)

Die Klangregelung der beiden Hauptkanäle bewirkt eine Anhebung/Absenkung der hohen und tiefen Frequenzen um +10/–30 dB, der Mittenfrequenzen um +10/–25 dB. Dieser große Regelbereich ist insbesondere zur Erzeugung des bekannten „Kill“-Effektes erforderlich, der das Frequenzband, auf das er angewandt wird, vollständig unterdrückt. Den Anregungen erfahrener DJs folgend, haben wir die EQ-Reglerknöpfe horizontal angeordnet, da diese Anordnung für einen komfortableren Zugriff sorgt. Zusätzlich bietet der HAK360 in jedem Kanal einen eigenen Balance-Regler.

Der MICRO-Kanal verfügt über eine Zweiband-Klangregelung (Bass und Treble).

ACHTUNG: Setzen Sie die Klangregelung mit Bedacht ein – übermäßiges Anheben der tiefen Frequenzen hat eine exzessive Auslenkung der Lautsprechermembranen zur Folge.

4.5. Program Reverse-Schalter

Der Program Reverse-Schalter (22) lässt Sie die an INPUT 1 und INPUT 2 angeschlossenen Soundquellen vertauschen – die GAIN-Einstellungen der Kanäle ändern sich jedoch nicht.

4.6. ECLER Fader

Der HAK360 verwendet völlig neue ECLER Fader, die sich durch erhöhte Präzision, erstaunliche Leichtgängigkeit, eine sehr kurze Cut-In-Time und extra lange Lebensdauer auszeichnen – in Verbindung mit ECLERs VCA (Voltage Controlled Amplifier)-System nachweislich bis zu 4.000.000 Aktionen.

Das VCA-Konzept ermöglicht es, das Gain/Attenuation-Verhalten der Fader zu modifizieren. Der HAK360 bietet dieses „Curve Adjustment“-Feature, dank dessen Sie in der Lage sind, die Fade-In- und Fade-Out-Charakteristik der beiden Channel Fader zu beeinflussen. Zwei Knöpfe –SHAPE (44) – an der Gehäusefront lassen Sie das Ansprechverhalten der Fader unabhängig voneinander weicher oder härter machen. Beide Fader-Kanäle verfügen außerdem über die REVERSE-Funktion, die Sie mittels des so genannten „Hamster“-Schalters (43) die normale Richtung des Crossfaders umkehren lässt. Je nach gewählter „Fader-Ausrichtung“ können Sie auf diese Weise Crossfader-„Cuts“ oder -„Transformationen“ ausführen, indem Sie die Fader einfach in dieselbe Richtung bewegen.

Das Vorgehen zum Auswechseln der ECLER Fader wird in Abschnitt 4.9 erläutert.

4.7. ETERNAL Crossfader

Der ECLER ETERNAL Crossfader bedient sich einer induktiven Reglertechnologie, die auf einer Magnetsteuerung basiert. Eine extrem dünne Aluminiumschicht (0,5 g) unterbricht die Flusslinien eines Magnetfeldes, das zwischen zwei Spulensystemen erzeugt wird. Diese elektromagnetische Modulation steuert einen angeschlossenen spannungsgesteuerten Verstärker (VCA), der die Signalverstärkung (Gain/Attenuation) beeinflusst. Diese kontaktlose Technologie ist mit einem hochwertigen Gleitmechanismus kombiniert – das Resultat ist ein äußerst präzise arbeitendes Fader-System mit sehr „gefühlvollen“ Reglern.

Das ETERNAL-Konzept bietet offensichtliche Vorteile gegenüber optischen Systemen. Im Gegensatz zu optoelektronischen Bauelementen ist das induktive System widerstandsfähig gegen Rauch, Feuchtigkeit, Temperatur- und Alterungseinflüsse.

Bei anderen elektromagnetischen Systemen auf dem Markt reagiert die Mechanik besonders empfindlich auf Umwelteinflüsse, und bei vielen sind die beweglichen Elemente (Magnete oder Eisenplatten) erheblich schwerer, was dem Crossfader ein beachtliches Gewicht beschert. Solche Fader fühlen sich gewöhnlich etwas unangenehm an und wirken bei präzise auszuführenden Aktionen wie dem Scratching oder Beat Juggling eher hinderlich.

Der ETERNAL Crossfader bietet zudem neue „Tuning“-Funktionen, die dem HAK360 zu einzigartigen Crossfade-Möglichkeiten verhelfen:

- CROSSMODE-Wahlschalter (45): Die Crossfader-Einstellungen FADE und SWITCH entscheiden über die „Schärfe“ Ihrer Scratches. Im FADE-Modus folgt der Crossfader einer progressiv abfallenden Kurve („Roll-Off“), während im SWITCH-Modus die Fade-Kurve jäh abfällt, so dass der Crossfader beinahe als Schalter fungiert – ideal für schnelle Scratches. Beide Kurveneinstellungen können mittels des SHAPE-Potentiometers einer Feinstellung unterzogen werden.

- SHAPE-Regler (48): Dieser Regler lässt Sie die Crossfader-Kurve von weich bis hart variieren.

- REVERSE-Schalter (46): Dieser so genannte „Hamster“-Schalter kehrt die Normalrichtung des Crossfadens um. Je nach gewählter „Fader-Ausrichtung“ können Sie auf diese Weise Crossfader-„Cuts“ oder -„Transformationen“ ausführen, indem Sie die Fader einfach in dieselbe Richtung bewegen.

- Elektronische CUT-IN-TIME-Korrektur (47): Dieses kleine Drehpotentiometer an der Gehäusefront dient zur Feineinstellung der „Cut-In-Time“ des Crossfadens. Die „Cut-In-Time“ bezeichnet den Abstand zwischen der äußersten Position des Crossfadens und der Position, an der das „Fade-In“ beginnt. Je geringer dieser Abstand ist, desto kürzer ist die „Cut-In-Time“. Zur Einstellung der kürzesten „Cut-In-Time“ bringen Sie den Crossfader ans Ende seines Regelweges in die Fade-Out-Position (PGM-Pegel entsprechend wählen) und drehen den CUT-IN-TIME-Knopf bis zu der Position nach rechts, die kurz vor Einsetzen des Sounds liegt. Zur Verlängerung der „Cut-In-Time“ drehen Sie den Regler entsprechend nach links.

4.8. Cutter/Transformer

Bei den beiden Cut-Schaltern (36) im HAK360 handelt es sich um hochwertige Komponenten, deren hohe Präzision und Standfestigkeit sich über die Jahre erwiesen hat. Mit diesen Schaltern können Sie (ähnlich wie mit „hart“ eingestellten Fadern) den entsprechenden Kanal total „cutten“ (abschalten). Durch rhythmische Cut-Offs zum Beat entsteht der berühmte „Transform“-Effekt.

Die Richtung des Cut-Schalters ist individuell einstellbar (8 Positionen), nachdem Sie die Frontabdeckung abgeschraubt haben (siehe Abschnitt 4.9)

4.9. Austauschbare Komponenten (Fader, Crossfader, Schalter)

Das voll modulare Innenleben des HAK wird ergänzt durch ein einfach austauschbares Modul mit allen Hauptkomponenten, die harter Belastung ausgesetzt sind: die zwei Haupt-Fader, der Crossfader und die Cut-Schalter. Zum Austausch all dieser Komponenten wird dank ihrer Multipin-Anschlüsse lediglich ein Schraubenzieher benötigt.

Um eines dieser Elemente auszutauschen, gehen Sie wie folgt vor:

1. Ziehen Sie die Fader-Knöpfe ab.
2. Lösen und entfernen Sie die Schrauben des Moduls (unterer Teil des Bedienfeldes).
3. Heben Sie das Modul aus seiner Öffnung.
4. Lösen und entfernen Sie die Schrauben des auszutauschenden Elementes.
5. Ziehen Sie den entsprechenden Multipin-Stecker ab.
6. Setzen Sie das Austauschelement ein.
7. Stecken Sie den in Schritt 5. abgezogenen Multipin-Stecker wieder ein.
8. Setzen Sie das Modul vorsichtig wieder in seine Öffnung ein.
9. Schrauben Sie das Modul wieder fest.
10. Stecken Sie die Fader-Knöpfe wieder auf.

ZUR BEACHTUNG: Benutzen Sie für Ihren HAK360 ausschließlich ECLER-Originalersatzteile.

4.10. Verwendung externer Effektgeräte

Die zwei mischbaren Kanäle des HAK360 verfügen über einen schaltbaren Effektweg, über den Sie die Ausgangssignale zu externen Effektgeräten (Reverb, Sampler etc.) routen und wieder zum HAK rückführen können. Beim Drücken der EFFECT-Taste (31) wird der Effektweg aktiviert – die EFFECT-LED (30) leuchtet.

Verbinden Sie den EFF-Ausgang (12) mit dem Eingang eines Stereo-Effektgerätes und dessen Ausgang mit dem MIX-Eingang (5) des HAK360. Da dieser MIX-Eingang direkt auf den Mix-Bus führt, haben Sie keinen weiteren Einfluss auf Pegel oder Klang des Effektsignals.

4.11. Ausgänge

Kopfhörer: Um die erwünschte hohe Leistung zu erzielen, sollten nur Kopfhörer mit hoher Impedanz (200 - 600 Ω) verwendet werden. Schließen Sie den Kopfhörer am PHONES-Ausgang (42) an der Frontplatte an (Stereoklinkenstecker: Schaft = Masse, Ring = rechter Kanal, Spitze = linker Kanal).

Der HAK360 hat zwei Hauptausgänge: OUT1 (10/11) – symmetrische XLR-3-Ausgänge, 0 dB an 600 Ω und OUT2 (9) – RCA, +6 dB an 1 k Ω . Die MASTER 1- (23) und MASTER 2- (25) Drehpotis regeln deren Ausgangspegel. Mittels kleiner Plastik-Jumper (ein Set von 5 Jumpern liegt dem HAK360 bei) lassen sich die Hauptausgänge intern auf +6 dBV (2 V) oder 0 dBV (1 V) einstellen (Abb. 2). Die 0-dB-LED (24) in der Nähe des MASTER 1- Pegelreglers dient zur visuellen Kontrolle des OUT/MASTER-Signals. Sie leuchtet auf, wenn das OUT1-Signal den eingestellten Nominalpegel überschreitet.

Diese rote LED darf während der Performance nur blinken, aber niemals permanent leuchten.

ACHTUNG: Gehen Sie bei der Einstellung des Gesamtausgangspegels mit Sorgfalt vor. Die „Clip“-Anzeige der angeschlossenen Endstufe darf niemals permanent, sondern nur gelegentlich im Rhythmus der Bass-Signale aufleuchten.

Der HAK360 verfügt ferner über einen REC-Ausgang (13) mit einem nominalen Ausgangspegel von 0 dBV an 10 k Ω .

5. WEITERE BEMERKUNGEN

5.1. Erdungsschleifen

Es muss in jedem Fall darauf geachtet werden, daß Signalquellen und am Ausgang angeschlossene Geräte ihre jeweiligen Masseverbindungen niemals aneinander angeschlossen haben. Sollte das Mischpult über verschiedene Wege an die Masse angeschlossen sein, kann dies zu Störgeräuschen ("Brummschleifen") und Einbußen der Klangqualität führen.

Um das Auftreten von Erdungsschleifen zu verhindern, dürfen die Abschirmungen der Anschlußkabel keinesfalls miteinander verbunden werden.

5.2. Audioanschlüsse

Es ist empfehlenswert, die signalführenden Anschlüsse so kurz wie möglich zu halten und Stecker und Kabel von bester Qualität zu verwenden. Im Allgemeinen wird Kabeln und Steckern nicht die notwendige Aufmerksamkeit entgegengebracht. Viele ernsthafte Probleme können auftreten, wenn schlechte Verbindungen hergestellt oder billige Kabel verwendet wurden.

5.3. Hintergrundrauschen

Die Verwendung aktiver Komponenten bringt zwangsläufig einen mehr oder weniger erhöhten Grundrauschpegel mit sich. Bei der Entwicklung des HAK360 wurde Wert auf die Minimierung des Hintergrundrauschens gelegt. Unabhängig davon hängt der Rauschpegel auch direkt von der korrekten Installation und Bedienung des Mischpults ab. Es ist beispielsweise nicht das gleiche, wenn der Kanalfader auf "2" und der Master auf "10" steht, als umgekehrt. Im ersten Fall ist das Signal, das den Verstärker des Mischpults erreicht, schwach, daher ist auch der relative Rauschanteil gering. Wenn das Signal verstärkt wird, ist das Ergebnis ein sehr hoher Ausgangs-Rauschpegel. Im zweiten Fall, wo der Kanal Fader auf Maximum steht, ist das zu verstärkende Signal relativ stark, d.h. der Signal-Rauschabstand ist ebenfalls hoch. Daher ist das Verhältnis, wenn das Signal den Master erreicht und verstärkt wird, besser als im ersten Fall.

5.4. Reinigung

Die Frontplatte darf nicht mit lösungsmittelhaltigen oder scheuernden Substanzen gereinigt werden, da hierbei die Oberfläche beschädigt werden könnte. Verwenden Sie zur Reinigung der Frontplatte ein feuchtes Tuch und etwas milde Seifenlauge. Trocknen Sie danach die Oberfläche sorgfältig ab. Lassen Sie niemals Wasser in die Öffnungen der Frontplatte gelangen.

6. TECHNICAL CHARACTERISTICS
6. CARACTÉRISTIQUES TECHNIQUES

6. CARACTERÍSTICAS TÉCNICAS
6. TECHNISCHE DATEN

Inputs	Sensitivity nom/Impedance	PHONO	-45dBV/50kΩ
		LINE	-10dBV/50kΩ
		SESSION	0dBV/20kΩ
		MICRO (BAL)	-50÷-30dBV/1.5kΩ
		INSERT	0dBv/100kΩ
		MIX	0dBV/20kΩ
Outputs	Level/Minimum Load	OUT 1 (BAL)	0(+6)*dBV 600Ω / 1(2)V
		OUT 2	+6(0)*dBV 1kΩ / 2(1)V
		INSERT (MIC)	0dBV/1kΩ
		EFFECT	0dBV/1kΩ
		REC	0dBV/10kΩ
		HEADPHONES	230mW/400Ω
Maximum input level (full gain)		PHONO	-28dBV
		LINE	+8dBV
		MICRO	-10dBV
Input tone adjust		MICRO	±10dB @ 100Hz ±10dB @ 10kHz
Frequency Response		PHONO	RIAA ±0.5dB
		LINE	10Hz÷30kHz -1dB
		MICRO	10Hz÷30kHz -1dB
THD + N		PHONO	<0.09%
		LINE	<0.05%
		MICRO	<0.15%
CMRR		MICRO	>75dB 1kHz
Signal Noise Ratio		PHONO	>85dBV
		LINE	>100dBV
		MICRO	>75dBV
Tone control		BASS	-30/+10dB
		MID	-25/+10dB
		TREBLE	-30/+10dB
Kill Filters		HIGH	6.5kHz
(cut frequency at -6dB)		LOW	200Hz
Slope 12dB/oct in all the cases		MID	6.5kHz & 200Hz
Mains		VOLTAGE	90-264 VAC
		FREQUENCY	47-63 Hz
Power consumption			22 VA
Dimensions			265x360x80mm
Weight			4.3kg

* Internally selectable

7. DIAGRAMAS
7. SCHÉMAS

7.1. Figures
7.1. Schémas

7. DIAGRAMAS
7. GRAFISCHE DARSTELLUNGEN

7.1. Figuras
7.1. Abbildungen

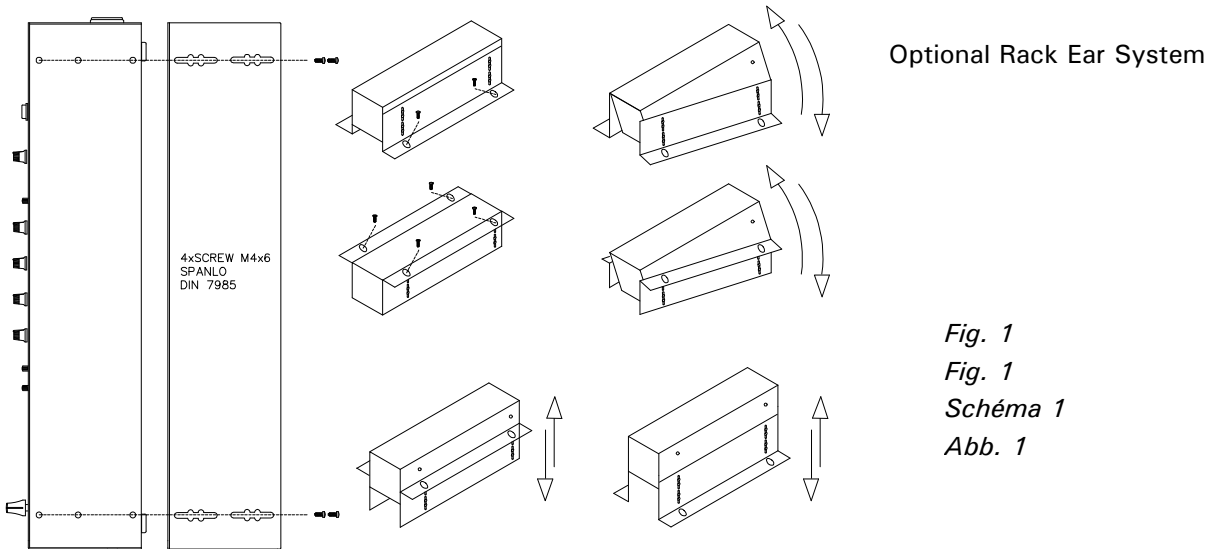
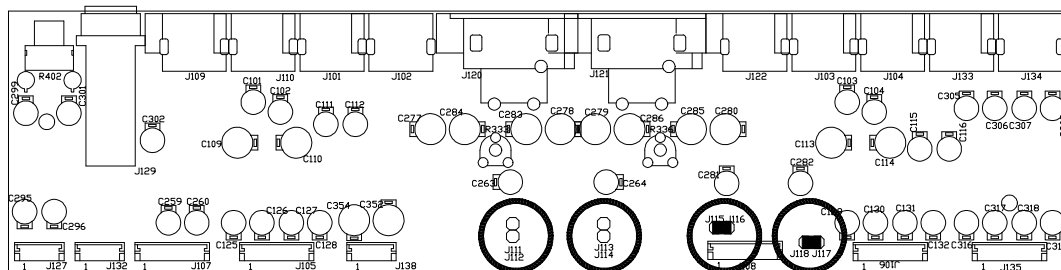


Fig. 1
Fig. 1
Schéma 1
Abb. 1



JUMPER PIN
CONFIGURATION.
TOP VIEW

FACTORY ADJUSTED
OUT 1 0dB
OUT 2 +6dB

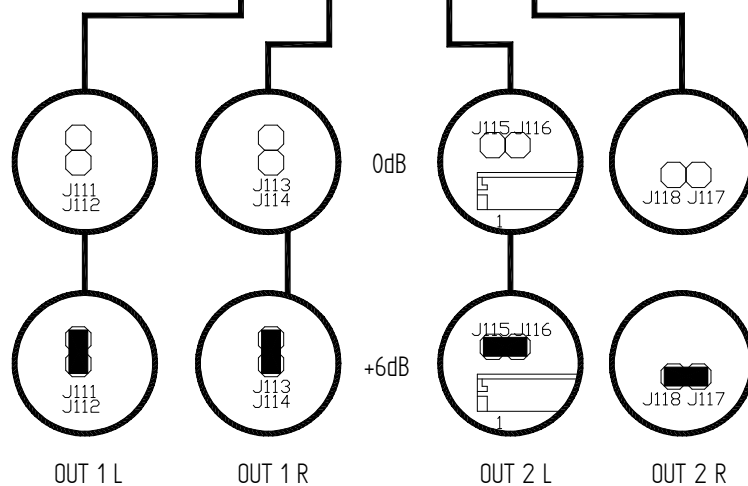


Fig. 2
Fig. 2
Schéma 2
Abb. 2

7.2. Function list

1. On switch
2. Fuse holder
3. Mains socket
4. Ground (earth) terminal, GND
5. Mix input, MIX
6. Session input, SESSION
7. Line input, LINE
8. Phono input, PHONO
9. RCA output 2, OUT 2
10. XLR balanced output 1 right channel, OUT 1 R
11. XLR balanced output 1 left channel, OUT 1 L
12. Effect output, EFF
13. Recording output, REC
14. Micro channel insert connection, INSERT
15. Microphone input sensitivity adjust, ADJ
16. XLR 3 / Jack microphone input, MIC
17. Bass control, BASS
18. Input selector
19. Treble control, TREBLE
20. Input gain control, GAIN
21. Microphone level control, LEVEL
22. Input Program Reverse switch, PGM REV
23. Output 1 level control, MASTER 1 LEVEL
24. OdB led indicator
25. Output 2 level control, MASTER 2 LEVEL
26. Session input level control, SESSION LEVEL
27. Treble control, TREBLE
28. Bass control, BASS
29. Mid control, MID
30. Effect ON led indicator, ON
31. Effect switch, EFFECT
32. Balance control, BALANCE
33. Prelistening / Program Selector, MONITOR PHONES
34. Prelistening / Program Selector, MONITOR VU-METER
35. Pre mixing monitoring crossfader
36. Cut switch, INPUT 1-2 CUT
37. Led Vu-meter
38. Channel level control, INPUT 1-2 LEVEL
39. Fader and Crossfader reverse led indicators, HAMSTER
40. Crossfader control, CROSSFADE
41. Headphones level control, VOL
42. Stereo jack headphones connection, PHONES
43. Input fader reverse switch, INPUT 1-2 FADER
44. Fader curve shape adjust knob, SHAPE
45. CROSSMODE selector
46. Crossfade reverse switch
47. Electronic CUT-IN-TIME correction knob
48. Crossfader transition curve adjust, SHAPE

7.2. Lista de funciones

1. Interruptor de puesta en marcha
2. Portafusible
3. Base de red
4. Borne de toma de masa, GND
5. Entrada de mezcla, MIX
6. Entrada sesión, SESSION
7. Entrada línea, LINE
8. Entrada phono, PHONO
9. Salida 2 RCA, OUT 2
10. Salida 1 balanceada XLR canal derecho, OUT 1 R
11. Salida 1 balanceada XLR canal izquierdo, OUT 1 L
12. Salida efectos, EFF
13. Salida grabación, REC
14. Conexión para inserción efectos en la vía Micro, INSERT
15. Ajuste sensibilidad de entrada micrófono, ADJ
16. Entrada micrófono XLR y JACK, MIC
17. Control de graves, BASS
18. Selector de entradas
19. Control de agudos, TREBLE
20. Ganancia de entrada, GAIN
21. Control de nivel de vía micrófono, LEVEL
22. Conmutador inversor entradas, PGM REV
23. Control de volumen salida 1, MASTER 1 LEVEL
24. Indicador de nivel OdB
25. Control de volumen salida 2, MASTER 2 LEVEL
26. Control de volumen entrada sesión, SESSION LEVEL
27. Control de agudos, TREBLE
28. Control de graves, BASS
29. Control de medios, MID
30. Indicador luminoso efectos, ON
31. Conmutador de efectos, EFFECT
32. Control de balance, BALANCE
33. Selector programa o preescucha, MONITOR PHONES
34. Selector programa o preescucha, MONITOR VU-METER
35. Crossfader para monitorización de pre-mezcla
36. Conmutador cut, INPUT 1-2 CUT
37. Vu-meter a leds
38. Control de nivel de vía, INPUT 1-2 LEVEL
39. Indicadores led de inversión de faders y xfader, HAMSTER
40. Control de, CROSSFADE
41. Control volumen de auriculares, VOL
42. Jack estéreo conexión de auriculares, PHONES
43. Conmutador inversor fader, INPUT 1-2 FADER
44. Ajuste del tipo de curva del fader, SHAPE
45. Selector de modos de fundido (CROSSMODE)
46. Conmutador inversor crossfade, XFADER
47. Corrección electrónica de CUT-IN-TIME
48. Ajuste del tipo de curva transición del crossfader, SHAPE

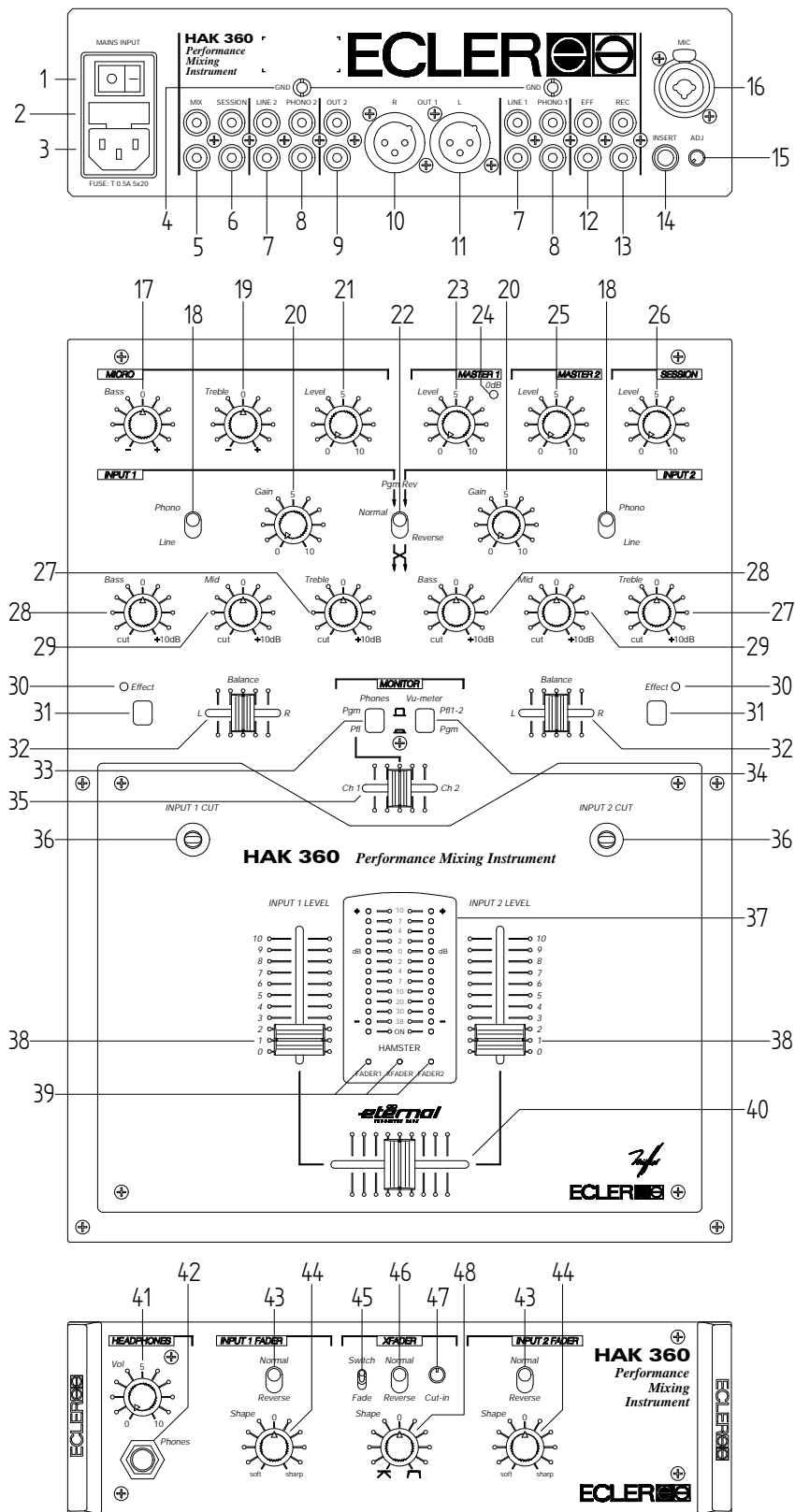
7.2. Liste des fonctions

1. Interrupteur de mise en marche
2. Porte fusible
3. Embase prise secteur
4. Prise de terre, GND
5. Entrée MIX
6. Entrée SESSION
7. Entrée ligne, LINE
8. Entrée Phono, PHONO
9. Sortie output 2 RCA, OUT 2
10. Sortie symétrique XLR canal de droite, OUT 1 R
11. Sortie symétrique XLR canal gauche, OUT 1 L
12. Sortie effets, EFF
13. Sortie d'enregistrement, REC
14. Connexion pour l'insertion d'effets sur micro, INSERT
15. Réglage de la sensibilité de l'entrée micro, ADJ
16. Entrée micro XLR 3 et Jack, MIC
17. Contrôle des graves, BASS
18. Sélecteur d'entrée
19. Contrôle des aigus, TREBLE
20. Gain de l'entrée, GAIN
21. Contrôle de niveau de la voie micro, LEVEL
22. Commutateur inverseur d'entrée, PGM REV
23. Contrôle de niveau de la sortie 1, MASTER 1 LEVEL
24. Indicateur de niveau ObB
25. Contrôle de volume de la sortie 2, MASTER 2 LEVEL
26. Contrôle de volume de l'entrée Session, SESSION LEVEL
27. Contrôle des aigus, TREBLE
28. Contrôle des graves, BASS
29. Contrôle des médiums, MID
30. Indicateur lumineux des effets, ON
31. Commutateur d'effet, EFFECT
32. Contrôle de la balance, BALANCE
33. Pré-écoute / Sélecteur de programme, MONITOR PHONES
34. Pré-écoute / Sélecteur de programme, MONITOR VU-METER
35. Crossfader de pré-écoute pour le pré-mix
36. Commutateur de Switch, INPUT 1-2 CUT
37. Vu-mètre à leds
38. Contrôle de niveau de la voie, INPUT 1-2 LEVEL
39. Leds d'inversion de faders et xfader, HAMSTER
40. Contrôle de crossfader, CROSSFADE
41. Contrôle de volume casque, VOL
42. Jack stéréo pour connecter un casque, PHONES
43. Commutateur inverseur de fader, INPUT 1-2 FADER
44. Bouton de réglage de la courbe du fader, SHAPE
45. Selecteur de modèle de courbe
46. Commutateur inverseur de crossfader
47. Potentiomètre d'ajustement CUT-IN-TIME (point de coupure)
48. Réglage de la courbe de transition du crossfader, SHAPE

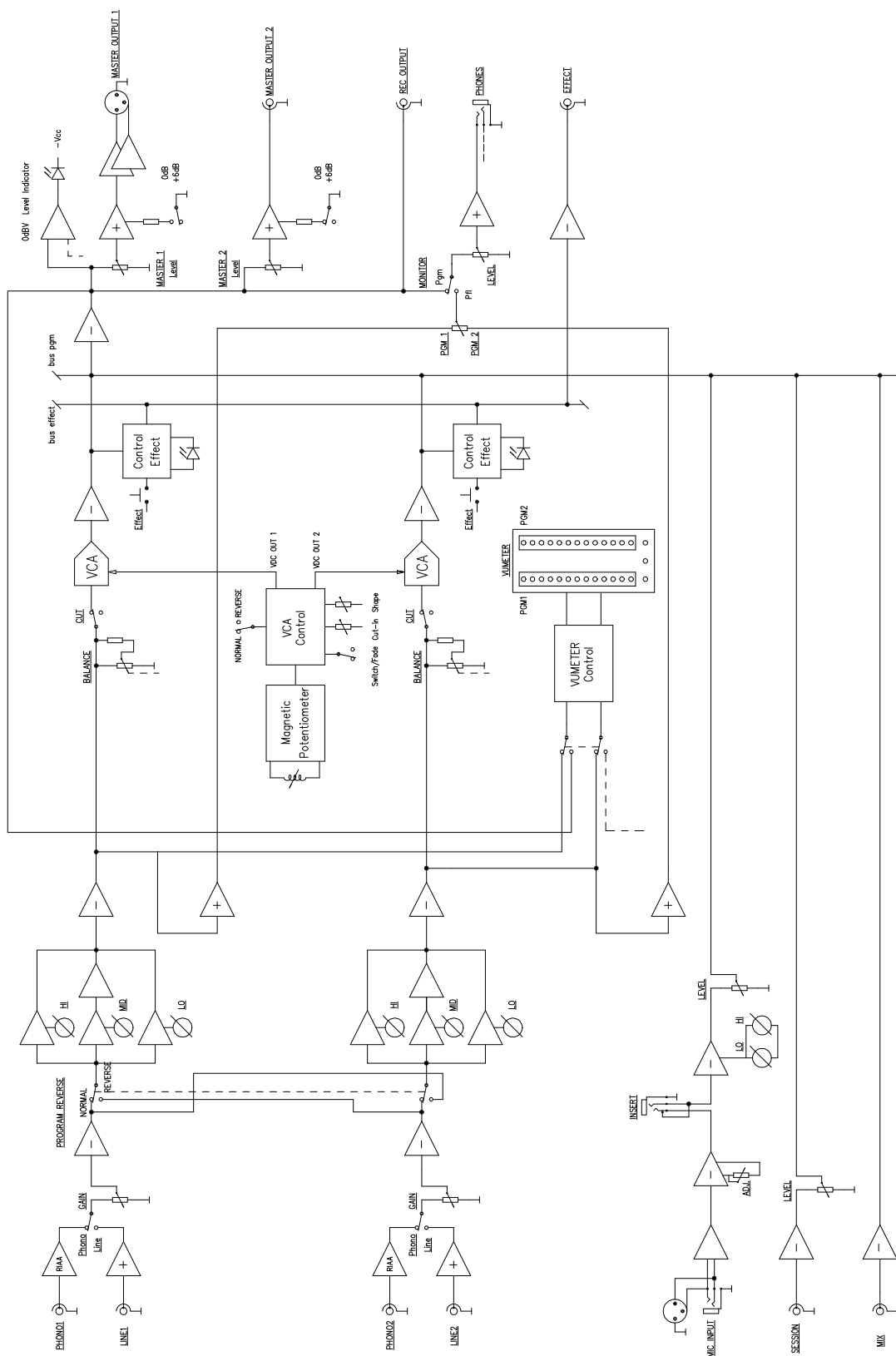
7.2. Funktionsübersicht

1. Hauptschalter
2. Sicherungskapsel
3. Stromanschluss
4. Masseanschluss, GND
5. Mix-Eingang, MIX
6. Session-Eingang, SESSION
7. Linien-Eingang, LINE
8. Phono-Eingang, PHONO
9. Cinch-Ausgang 2, OUT 2
10. Symmetrischer XLR-Ausgang, rechts, OUT1 R
11. Symmetrischer XLR-Ausgang, links, OUT1 L
12. Effect-Ausgang, EFF
13. Aufnahme-Ausgang, REC
14. Mikrofon-Insert Anschluss, INSERT
15. Mikrofon-Empfindlichkeitsregler, ADJ
16. XLR3 / Jack Mikrofon-Eingang, MIC
17. Tiefenregler, BASS
18. Eingangs-Wahlschalter
19. Höhenregler, TREBLE
20. Empfindlichkeitsregler Eingang, GAIN
21. Mikrofon-Pegelregler, LEVEL
22. Reverseschalter des Programm-Eingangs, PGM REV
23. Pegelregler des ersten Ausgangs-Kanals, MASTER1 LEVEL
24. 0-dB-LED-Anzeige
25. Pegelregler des zweiten Ausgangs-Kanals, MASTER 2 LEVEL
26. Session-Eingang Pegelregler, SESSION LEVEL
27. Höhenregler, TREBLE
28. Tiefenregler, BASS
29. Mittenregler, MID
30. Kontroll-LED für Effekt, ON
31. Effekt-Schalter, EFFECT
32. Balance-Kontrolle, BALANCE
33. Vorhören / Programm-Wahl, MONITOR PHONES
34. Vorhören / Programm-Wahl, MONITOR VU-METER
35. Crossfader für die Pre-Mix Monitorisierung
36. Cut-Schalter, INPUT 1-2 CUT
37. LED VU-Meter
38. Pegelregler des ersten Eingangs-Kanals, INPUT 1-2 LEVEL
39. Kontroll-LEDs für Fader und Crossfader Reverse, HAMSTER
40. Crossfader, CROSSFADE
41. Pegelregler des Kopfhörers, VOL
42. Stereophonischer Kopfhörerausgang, PHONES
43. Reverse-Schalter für Eingang, INPUT 1-2 FADER
44. Einstellung der Kurve des Fader, SHAPE
45. CROSSMODE-Wahlschalter
46. Reverse-Schalter für Crossfader
47. Elektronische CUT-IN-TIME-Korrektur
48. Einstellung der Transitionskurve des Crossfadern, SHAPE

- 7.3. Function diagram
- 7.3. Diagrama de funcionamiento
- 7.3. Schéma de fonctionnement
- 7.3. Anschlüsse und Bedienelemente



7.4. Block diagram
 7.4. Diagrama de bloques
 7.4. Blocs de diagrammes
 7.4. Schaltbild





ECLER Laboratorio de electro-acústica S.A.
Motors 166-168, 08038 Barcelona, Spain
INTERNET <http://www.ecler.es> E-mail: info@ecler.es