



JRX118S

18 Inch
Compact
Subwoofer

JRX100

Key Features:

- ▶ 18" compact subwoofer
- ▶ 350 watt (continuous), 1400 watt (peak) power capacity
- ▶ The rugged enclosure is constructed from 19 mm (3/4 in) MDF (Medium Density Fiberboard) using advanced adhesives and mechanical fastener technology for durability and improved low-frequency performance. The enclosure is covered in black carpet.
- ▶ A top mounted, cast aluminum 36 mm pole mount receptacle can receive an optional SS3BK pole to facilitate use of the JRX118SP as a base for a mid-high speaker cabinet.
- ▶ Non-resonant, all steel handles are used.
- ▶ Attractive 18-gauge perforated steel grille protects components from damage.
- ▶ 36 mm pole mount receptacle for use with satellite speakers.

The JRX118S is an 18" compact direct-radiation subwoofer designed to supplement and extend low frequency performance of full-range systems in live sound and music playback applications.

The JRX118S is driven by a massive JBL 18" woofer with a cast frame and 3" voice-coil. It's rated at 350 watts (continuous) and 1400 watts (peak) – based on JBL Professional's 100 hour extended life test.



With JRX112M and SS3-BK



Specifications:

System Type:	18" compact subwoofer
Frequency Range (-10 dB): ¹	38 Hz - 300 Hz
Frequency Response (±3 dB): ¹	47 Hz - 300 Hz
Sensitivity (1w/1m):	96 dB SPL
Nominal Impedance:	4 Ω
Rated Maximum SPL: ²	133 dB peak, @1 m (3.3 ft)
Power Capacity: ³	350 watts
Peak Power Capacity: ³	1400 watts
Recommended Amplifier Power:	350 - 700 watts @ 4 ohms
Dimensions (H x W x D):	605 mm x 508 mm x 551 mm (23.8 in x 20.0 in x 21.7 in)
Net Weight:	32.2 kg (71 lb)
Shipping Weight:	36.8 kg (81 lb)
LF Driver:	2043-G
Input Connectors:	Neutrik® Speakon® NL-4 (x2); 1/4" TS phone jack (x1) parallel
Enclosure Construction:	19 mm (3/4 in) MDF (Medium Density Fiberboard) with glued and mechanically fastened joint detail; covered in black carpet.
Grille:	18-gauge, powder-coated steel
Optional Accessory:	SS3-BK

¹ Frequency Range and Frequency Response are based on half-space conditions.

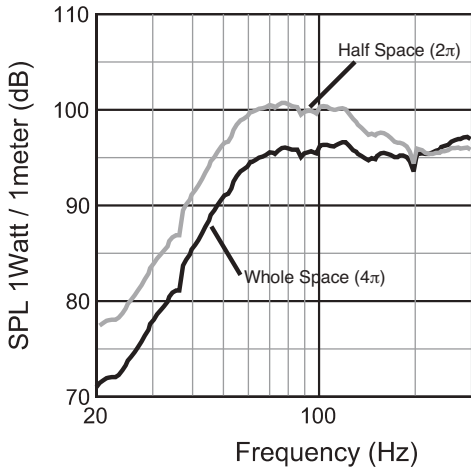
² Calculated half-space (2π) performance based upon peak power capacity.

³ "Power Capacity" and "Peak Power Capacity" ratings are based on the average and peak power capacity of product samples subjected to a 100 hour power test using random noise with a 6 dB crest factor, in accordance with IEC standards.

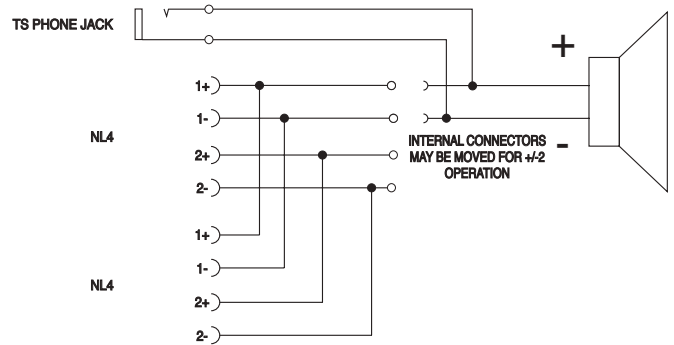
JBL continually engages in research related to product improvement. Some materials, production methods and design refinements are introduced into existing products without notice as a routine expression of that philosophy. For this reason, any current JBL product may differ in some respect from its published description, but will always equal or exceed the original design specifications unless otherwise stated.

JRX118S 18 Inch Compact Subwoofer

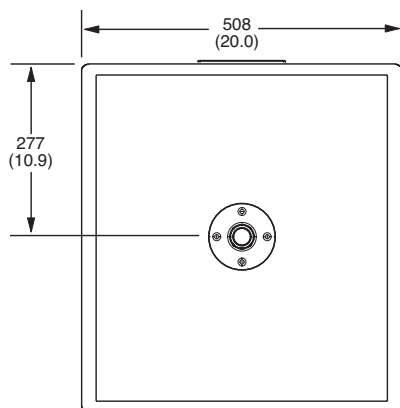
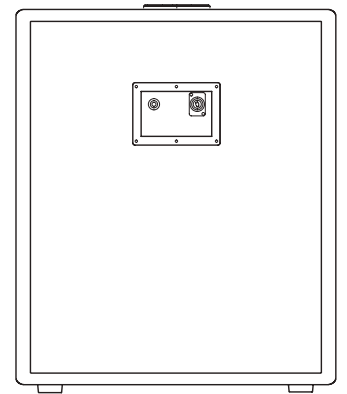
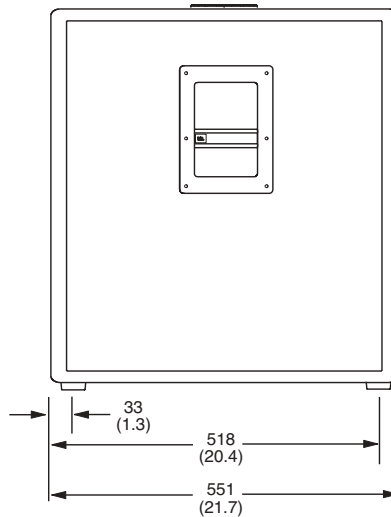
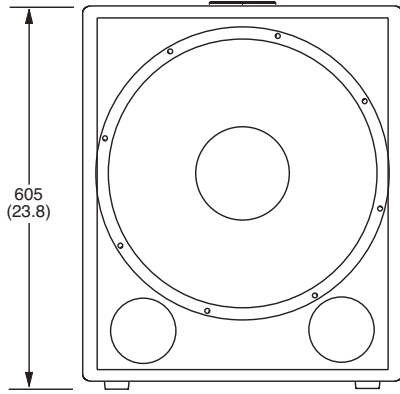
Frequency Response:



Block Diagram:



Dimensions



Dimensions in mm (in)



JBL Professional
 8500 Balboa Boulevard, P.O. Box 2200
 Northridge, California 91329 U.S.A.

A Harman International Company
 © Copyright 2004 JBL Professional

SSJR118S
 352947-001
 CRP 10M
 05/07