

# SP125S Low Frequency Loudspeaker System For Permanent Installation

## Sound Power Series

### Key Features:

- ▶ Usable LF reinforcement to 32 Hz
- ▶ VGC (Vented Gap Cooled™) LF transducers
- ▶ Trapezoidal enclosure for easy cluster arrangements
- ▶ DuraFlex finish, tough, weather resistant and paintable
- ▶ 12 Suspension points (M10 Thread)
- ▶ Internal tamper resistant selector for parallel/discrete LF transducer connectors

The model SP125S is an extremely rugged low frequency loudspeaker system and provides usable LF reinforcement to 32 Hz. The trapezoidal enclosure enables LF reinforcement to be neatly integrated into a tight cluster array. The powerful 15" VGC (Vented Gap Cooled™) LF transducers provide powerful transient bass with minimum power compression and distortion.

The SP125S can be configured in two different ways, parallel or discrete transducer connection. The mode of operation is selected via an easily accessible internal tamper resistant selector and is clearly indicated on the rear connector panel. In parallel mode the two transducers are connected together and in discrete mode they are separated, providing either a nominal 4 ohms impedance or two separate 8 ohm loads. When using with other full range Sound Power systems, utilizing the DSC260 digital controller for crossover, signal alignment, and equalization functions provides optimum system performance.

The SP125S is part of the JBL Sound Power Series, a family of modular loudspeaker systems designed for fixed installation applications ranging from speech reinforcement to large scale music productions. All models are fitted with suspension points that accept M10 threads. The enclosures are finished with a hard wearing, weather resistant, textured finish DuraFlex. Premium 13 ply wood and an 18 gauge steel, foam-backed grille enable Sound Power systems to comply with environment test specifications.

### Components:

The SP125S utilizes one of JBL's finest cone transducers, the 2226H. The two 15" 2226H are part of JBL's family of Vented Gap Cooled woofers and carries an AES power rating of 1200 watts with minimal power compression. The cone has been treated for weather resistance.



### Specifications:

#### System:

Freq. Range (-10 dB):	32 Hz - 1.7 kHz
Freq. Response (-3 dB):	40 Hz - 900 kHz
Recommended High Pass:	30 Hz - 40 Hz, 12 dB/Octave
Recommended Low Pass:	200 Hz - 1 kHz, min. 12 dB/Octave

#### Transducers:

Low Frequency:	2 x 2226H, 380 mm (15 in) dia., 100 mm (4 in) edgewound ribbon voice coil
Nominal Impedance:	4 Ohms / (2 x 8 Ohms)
Input Power Rating:	1200 W, AES; 4800 W Peak (2 x 600 W AES, 2400 W Peak)
Sensitivity <sup>1</sup> :	100 dB, 1 W, @ 1 m (3.3 ft)
Calculated Maximum SPL:	137 dB, @ 1 m (3.3 ft)
Recommended Amplifier <sup>2</sup> :	1600 W

#### Physical:

Enclosure:	Trapezoidal, 22.5° side angles, birch plywood
Environmental Specifications:	Mil-Std 810, IPX4 per IEC 529
Suspension Attachment:	12 points; accepts M10 threaded hardware
Finish:	Black DuraFlex coating
Grille:	Black powder coated zinc treated 18 gauge perforated steel grille with foam backing
Input Connectors:	2 x NL4 Neutrik Speakon connectors
Dimensions:	1137 mm x 572 mm x 572 mm (44.75 in x 22.50 in x 22.50 in)
Net Weight:	49.9 kg (110 lbs.)

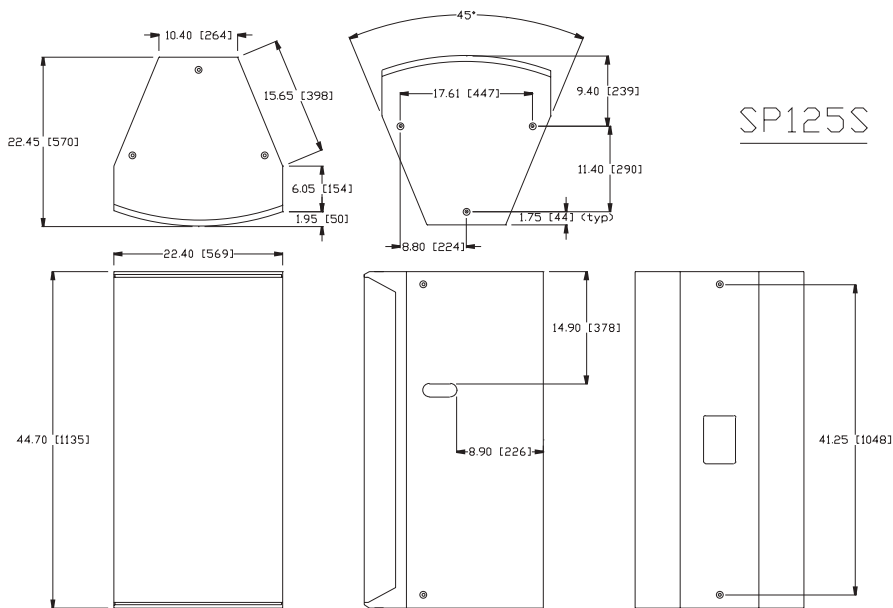
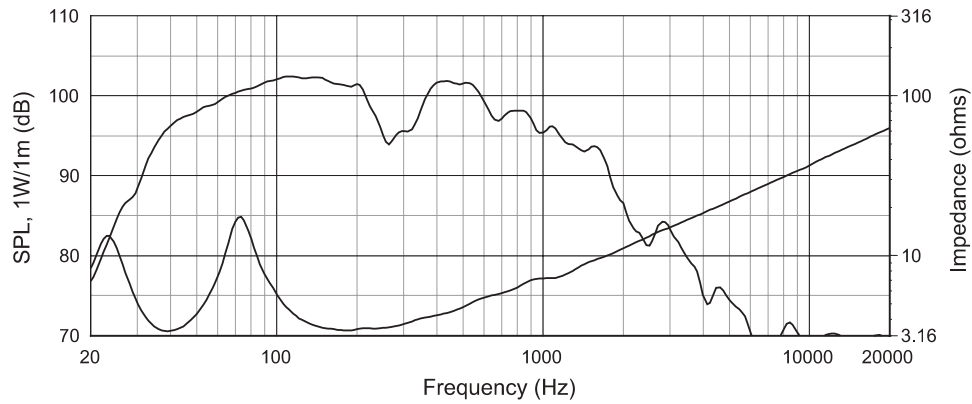
<sup>1</sup>Measured on axis in the far field with 1 watt (2.0 V RMS, 4 ohms) input and referenced to 1 meter distance using the inverse square law. Listed sound pressure represents an average from 300 Hz to 1 kHz.

<sup>2</sup>Recommended Amplifier is a power capability value that should be taken as a guide.

JBL continually engages in research related to product improvement. New materials, production methods, and design refinements are introduced into existing products without notice as a routine expression of that philosophy. For this reason, any current JBL product may differ in some respect from its published description, but will always equal or exceed the original design specifications unless otherwise stated.

## ▶ SP125S Low Frequency System

Frequency Response is measured on-axis at a distance referenced to 1 m @ 1 watt (2.0 Vrms) input, shown as half-space ( $2\pi$ ) environment.



JBL Professional  
8500 Balboa Boulevard, P.O. Box 2200  
Northridge, California 91329 U.S.A.

■ A Harman International Company

SS SP125S  
CRP 15M  
1/98