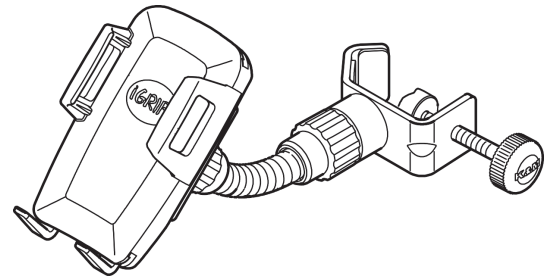


# 19745 Smartphone holder

- Universal holder suitable for all devices with a width 46-84 mm
- Particularly suitable for smartphones, flat devices and MP3 players
- Functioning of the operating controls is not affected
- Simply place in the holder and close the clamping jaw
- Released at the press of a button
- Moveable bars can be removed and the holder turned
- Smartphone operating controls are almost freely accessible - and if not: turn the holder 180° and mount it
- 4 different holding arms adjust to any Smartphone
- Clamps on tube diameters 7 - 30 mm
- Flexible holding arm (length 110 mm) for positioning as required



Thank you for choosing this product. These instructions contain information about the installation and use of the holder. We suggest you keep the instructions in a safe place for later use.

## SAFETY NOTES

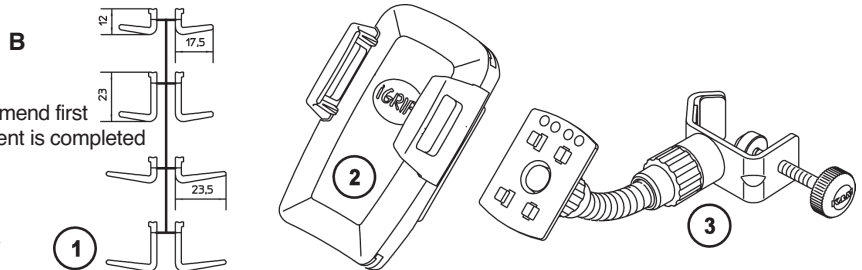
- Use a suitable stand - the stand must be stable, able to accommodate the weight and have a tube  $\varnothing$  7-30 mm; e.g. K&M music stands (100/1 et seq.), for orchestral stands (118/1 et seq.) and microphone stands (200 et seq.), etc.
- Carefully place the smartphone in the holder and ensure it is held firmly in place
- Maneuver the holder with care; when adjusting we recommend first removing the smartphone and replacing it when adjustment is completed

## INSTALLATION INSTRUCTIONS (A-F)

**A PREPARE THE STAND** (see Safety Notes above)

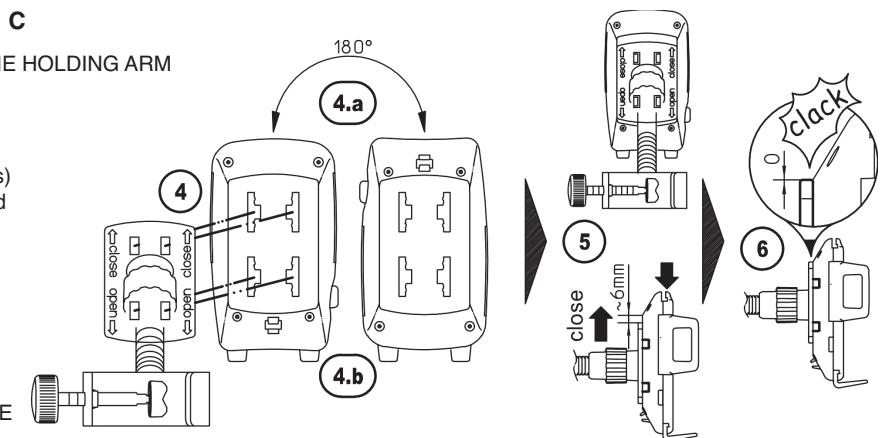
**B LAY OUT THE COMPONENTS** for 19745 IN ORDER

- 1 Four holding arm pairs (2 heights, D depths)
- 2 Smartphone cradle
- 3 Holding arm with clamp (for tubes 7-30 mm)



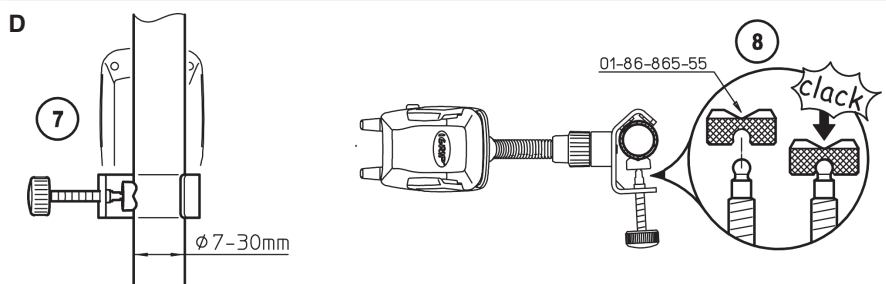
**C CONNECTING THE SMARTPHONE CRADLE TO THE HOLDING ARM**

- 4 Place the smartphone cradle on the four hooks of the holding arm plate...
  - 4.a. The smartphone cradle can be turned 180°, if needed (e.g. because of the connections/cables)
  - 4.b. NOTE: the holding arms must always be mounted in the lower position: refer to Section 10.
- 5 ...and then slide the holding plate in the "close" direction against the smartphone cradle until it audibly clicks in place.
- 6 The correct position has been reached when the holding plate sits firmly on the side marked with "close".



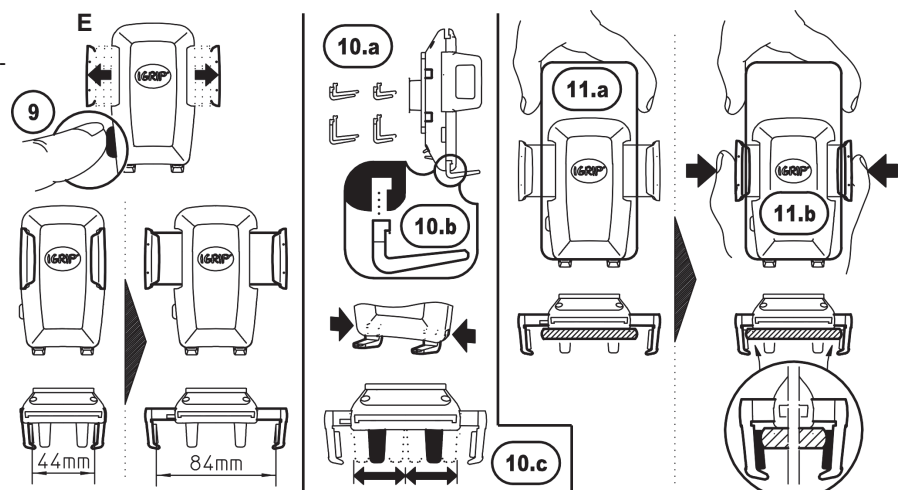
**D ATTACHING THE HOLDING ARM TO THE STAND TUBE**

- 7 Hold the holding arm clamp on the stand tube (7-30 mm) and attach by tightening the knurled screw.
- 8 The knurled screw has a removable protective plastic cap to protect the surface of the tube (part no. 01-86-865-55).



**E PLACING THE SMARTPHONE IN CRADLE**

- NOTE:  
Suitable for devices with a width 46-84 mm
- 9 Press the button to part the sides
  - 10.a Select the correct holding arms (4 options)
  - 10.b Slide both holding arms in the corresponding slots on the side of the smartphone cradle.
  - 10.c The two lower bars can be slid to the right or left - accommodating a variety of smartphones.  
NOTE:  
The bars can be removed to aid installation. We stress the importance of BOTH bars being in place when the device is clicked in the cradle.
  - 11.a Hold the smartphone with one hand and position centrally on the lower bars of the cradle...
  - 11.b ...then close the two sides with the other hand until the device is held firmly between the moss rubber protectors.



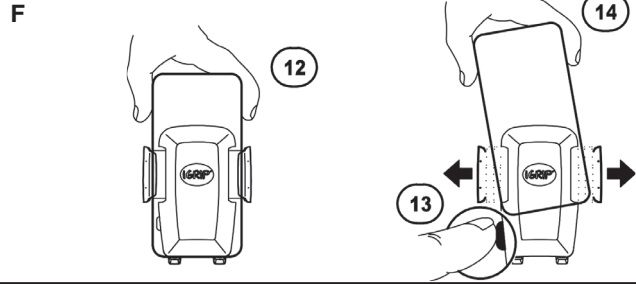
# 19745 Smartphone holder

## INSTALLATION INSTRUCTIONS (A-F)

Continuation

### F REMOVING THE SMARTPHONE FROM THE CRADLE

- 12 Hold the smartphone at the top...
- 13 ...with the other hand press the sliders so that the side bars part and...
- 14 ...the smartphone can be removed.



## FUNCTIONS & ADJUSTMENT (G-K)

### G STAND:

- Tube diameter 7-30 mm

### H SIZE SMARTPHONES:

- Width: 44-84 mm
- Height: check suitability above 150 mm  
if need check to see that it fits correctly

### I DIRECTION:

- 360° around the clamp on the stand tube

### J TILT (see Fig.):

- The flexible arm can be "bent" through 90°.  
Apply gentle strength.  
We recommend: bending the arm upwards for a good reading angle  
We do not recommend: bending the arm sideways as this is better  
attained by re-adjusting the clamp.  
We warn against: bending the arm downwards as the smartphone  
may fall from the holder.

### K FORMAT (see Fig.):

- Portrait (vertical)
- Landscape (horizontal)
- The arm is connected to the cradle and u clamp in two ways:
  - a. per screw mechanism
  - b. per square plug connection

15 Switching from portrait to landscape format and back functions as follows.

- a Loosen and remove the arm union nut (it doesn't matter which one of the two)
- b Remove the arm
- c Turn the arm through 90° and insert the cone in the square plug of the threaded connection
- d Re-tighten the union nut

### FAULT-FINDING (F) and REPAIR (R)

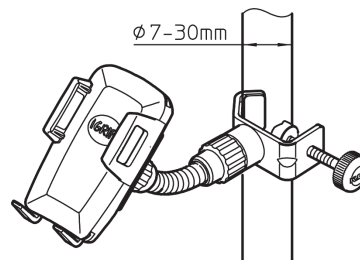
#### F: Smartphone wobbles

- B: Check the side bars are tight and if necessary correct (E 11.b)

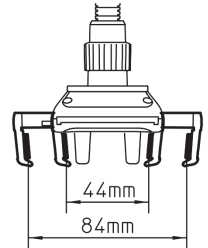
#### F: Smartphone cradle wobbles

- B: Check the screw connections and if necessary tighten (15)
- B: Locking mechanism not right? Repeat positioning procedure for the cradle and ensure it is correctly locked in place (C)

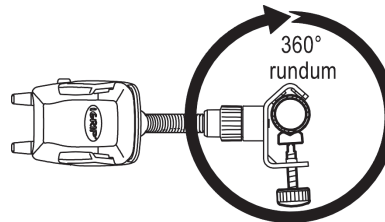
### G



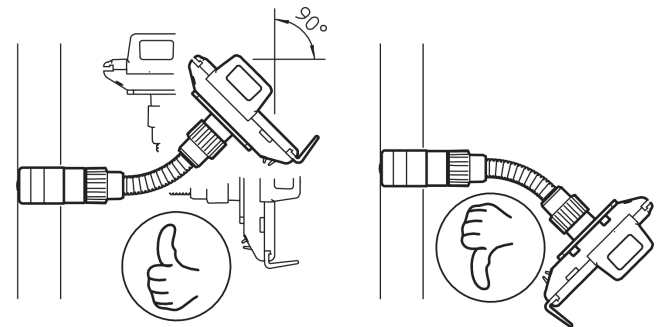
### H



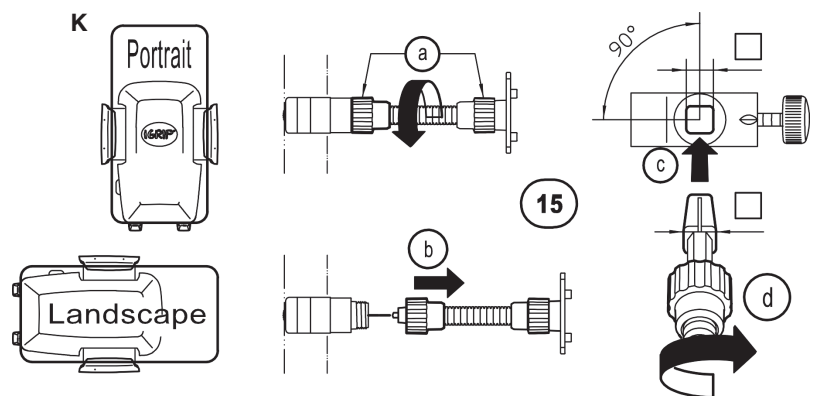
### I



### J



### K



## TECHNICAL DATA

Material	Clamp, knurled screw: steel Cradle, holding plate, nuts: PC-ABS Arm: aluminum bar internally, plastic externally Knurled handle, tappet: PA	Dimensions	Width of device: 44-84 mm for tubes: $\phi$ 7-30 mm
		Carton	155 x 50 x 190 mm
Load	Smartphones, MP3 players, div. devices (pay attention to size)	Weight	net: 0.19 kg gross: 0.27 kg