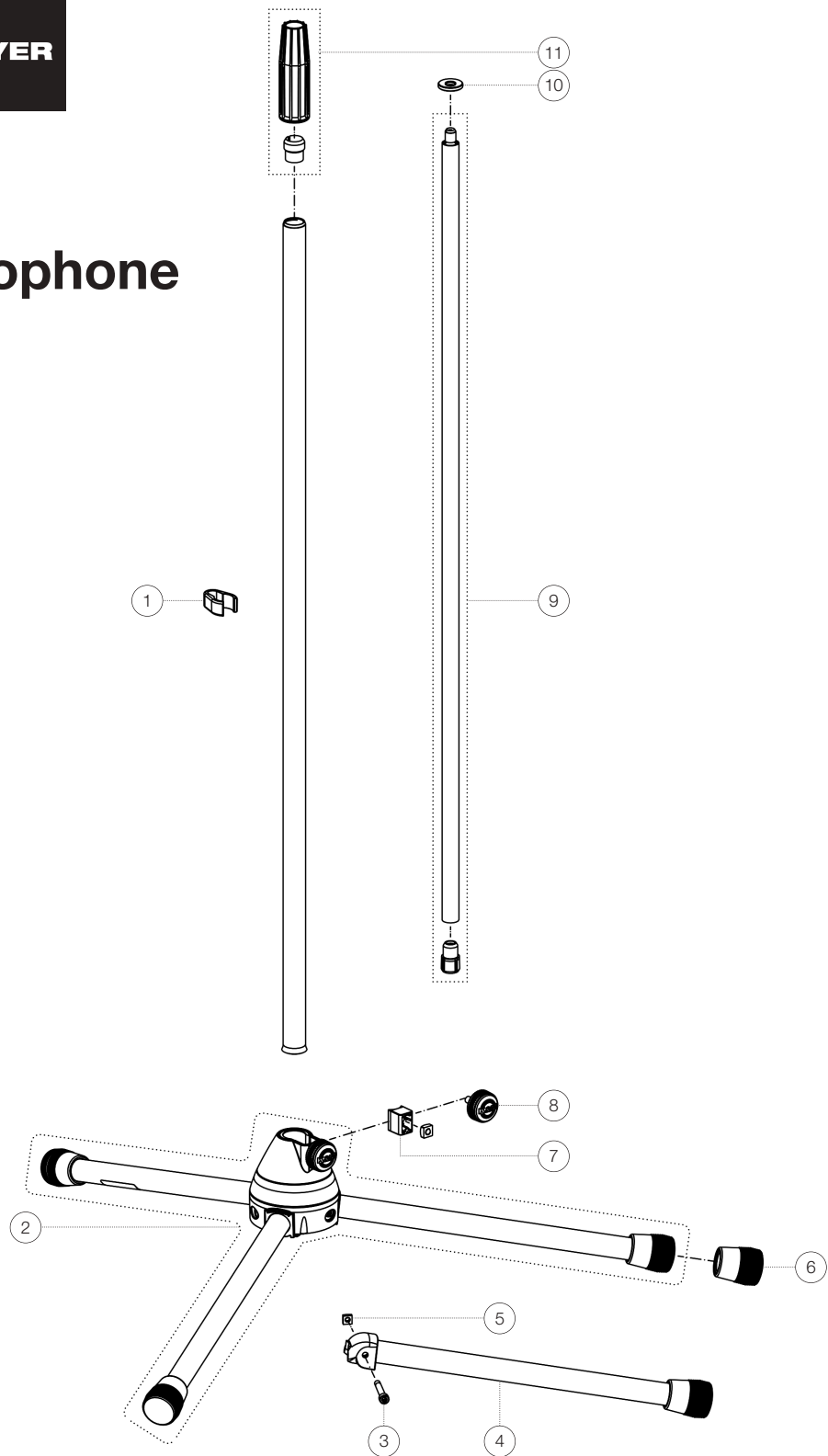


Spare parts list

201A/2 Microphone stand

20130-300-55 - black

*Rev05



Position	Description	Article No.	Quantity
1	Cable holder	01-85-970-55	1
2	Base with legs	3-00-000-017	1
3	Cylinder head screw M5 x 36 mm	03-02-176-29	3
4	Foot tube complete	6-21025-1-55	3
5	Square nut M5	03-08-210-29	3
6	End cap	01-84-980-55	3
7	Clamping piece with pin R10 complete	6-86642-1-55	1
8	Knurled screw with logo M6 x 16 mm	01-82-948-55	1
9	Extension rod, plastic stop and threaded bolt	6-21020-1-55	1
10	Aluminum knurled washer	03-31-550-15	1
11	Clutch with tension ring	3-00-000-018	1