

213 Speaker Stand

- Load Bearing Weight: 50 kg TÜV-certified
- High quality stand for professional use: safe, stable and easy to use
- Similarly adapted for home, property, public area
- Height: min. 1395 / max. 2180 mm, Base Circumference 1320 mm, Extension Rod \varnothing 35 mm, Weight: 8.6 kg

Thank you for choosing this product. The instructions provide directions to all of the important set up and handling steps. We recommend you keep these instructions for future reference.

SAFETY NOTES

- Max centric load 50 kg
- Before and after use check stand for damage. Damaged Stands may not be used.
- Weight distribution must now allow the stand to list to one side
- The floor must be load bearing and even.
- Prior to installation check if the stand, speakers and aids (ladders among other aids) are in working order.
- Ensure use of suitable speakers; i.e. the connection adapters must be equipped with the proper dimensions and quality.
- Keep unauthorized personnel away from the stand
- Protect against risk of tripping or the stand falling over.
- Maintain safety when installing the system:
 - Ensure the screws are properly tightened.
 - Maximum stability is given when the base struts of the stand are level.
 - The crank button must be in the correct position (has clicked into place) other than when it is being extended or retracted.
- NOTE: moving a stand with the speakers attached can result in damage to the stand's base.
- Careful and attentive handling is required when adjusting the stand due to the possibility of pinching or wedging your hand.

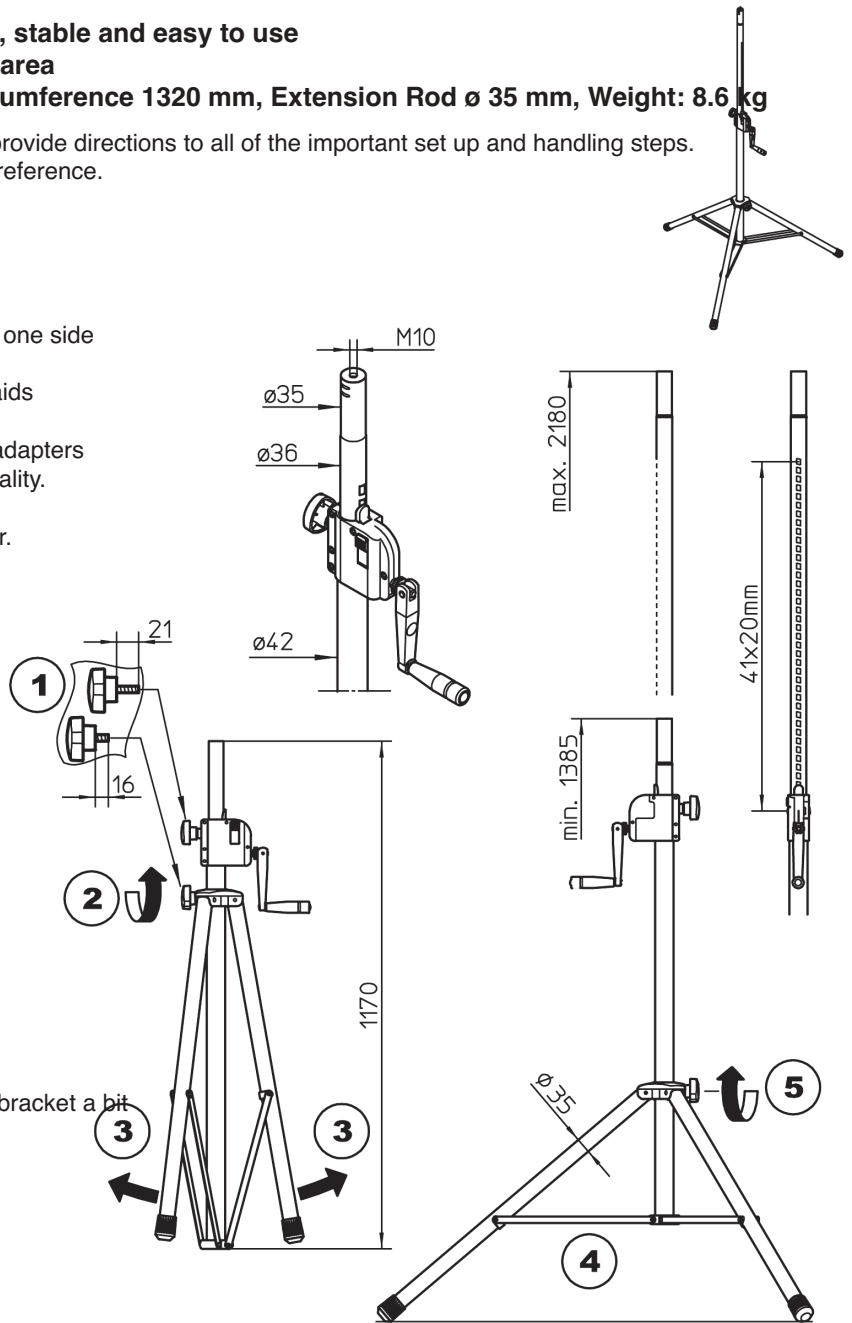
SET UP INSTRUCTIONS

Setting up the 213 Speaker Stand is very easy. With the exception of two clamp screws 1 the stand comes pre-assembled. All that needs to be done is to place the stand in position.

- (1) Screw in both clamp screws loosely
- (2) Loosen the clamping screw of the triangular clamp/bracket a bit
- (3) Expand the legs until...
- (4) ...the connecting struts are horizontal.
- (5) Re-tighten the lower clamping screw.

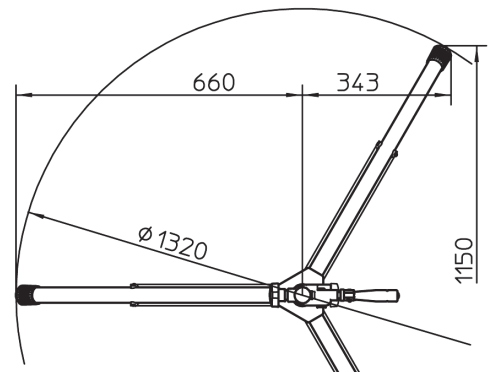
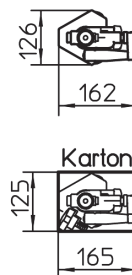
NOTE:

Manual strength is sufficient; avoid over tightening, it places undue stress on the components.



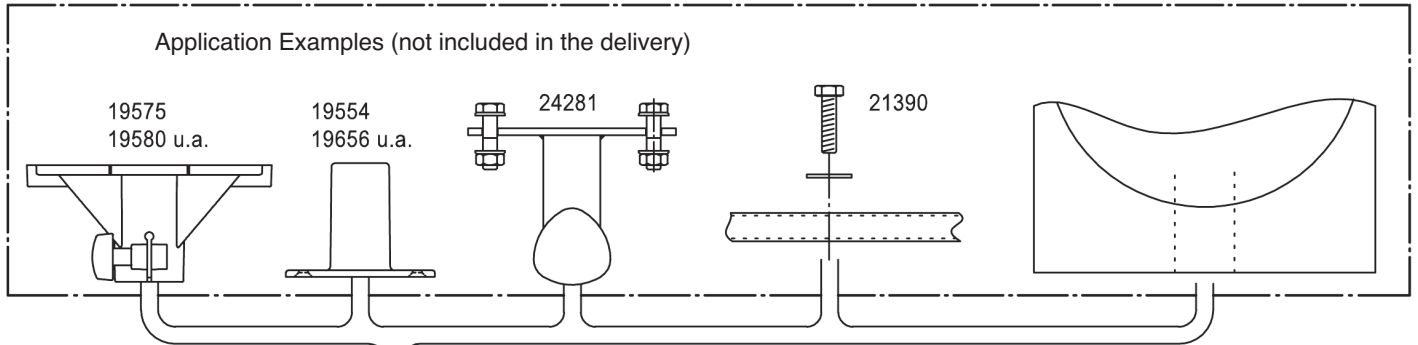
TECHNICAL DATA

Material	Tubes, struts, bolts - steel Brackets, housing - zinc-die cast End caps, shock absorbers - (TPE)
Bearing load	max. 50 kg central load
Dimension	max. base circle \varnothing 1320 mm Height: 1395-2180 mm (at max base circle) Extension tube: \varnothing 35 mm with M10 socket
Folded size, kg	1170 x 162 x 125 mm, 8.6 kg
Box, kg	1185 x 165 x 125 mm, 9.4 kg
Accessories (optional)	Carrying case 21311 (for one or two 213) K&M flange adapter e.g. 19580, 19654, 19656 etc. Screw-on Adapter (24281) Adapter Sleeve 21326 \varnothing 38mm (=US-Variant) Traverse 213/9



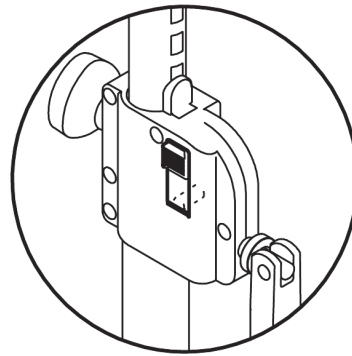
PLACEMENT and EXTENSION of the SPEAKER

NOTE!
 The crank system is used for easy extension and retraction of the speakers (load).
 However, do not underestimate the weight of the speaker (max. 50 kg), which must be placed on the stand tube, i.e.: knowledgeable and physically fit individuals are needed, depending on the load weight – this can require 2 - 3 individuals.

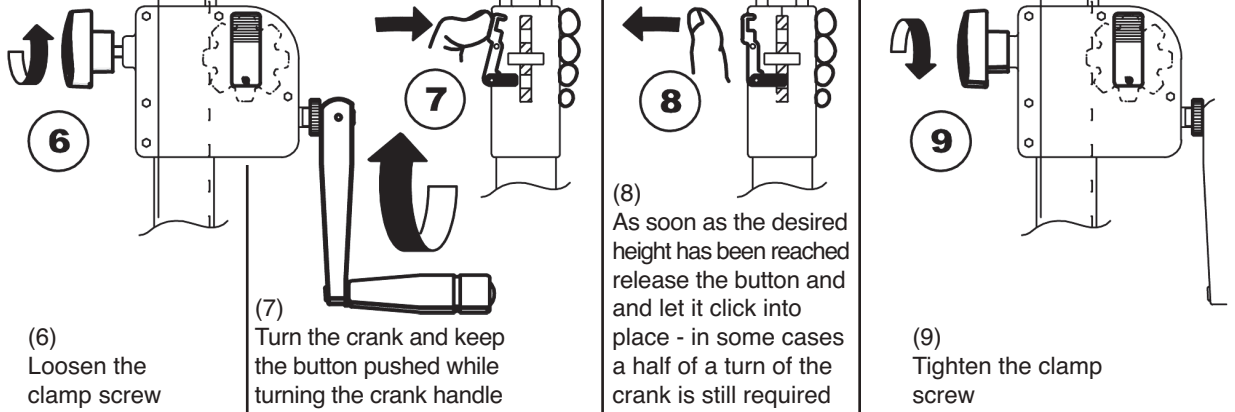


MOVING THE WEIGHT

In contrast to other stands one individual is able to move the speaker to the desired height easily using the crank system.



SEQUENCE WHEN EXTENDING AND RETRACTING THE SPEAKERS



CHECK, MAINTENANCE, CLEANING

- Careful use of the stand maintains the use of the telescope and the load bearing functionality of the stand, as well as the safety of the installation
- Perform workstation maintenance only without the speakers attached and watch for possible risks (pinched hands/fingers, impact or the stand falls over)
- To care for the product use a damp cloth and a non-abrasive cleaning agent

FAULT-FINDING (F) and REMEDY (R)

F: Stand is not stable:

- R: Ensure that the surface is even.
- R: Ensure that the base is expanded to its full extended position and tighten the clamp screw.

F: The extension tube is loose i.e. retracts when the speakers are attached:

- R: Check if the button on the crank is in the correct position (has clicked into place) and tighten the clamp screw.