

MA-707 Portable Wireless PA System

Introduction

For over 18 years, MA-707 has been mass-produced and sold in over 75 countries and it remains a market-leading system as MIPRO ensures product design, craftsmanship and reliability are second to none.

MA-707 is a versatile and rugged system that can be used indoors and outdoors and provides excellent full range music reproduction as well as quality intelligible speech. It offers an ideal public address solution for medium to large crowds.

Ideal applications include: Schools, Places of worship, Presentations, seminars and meetings, Shopping center & trade show presentations and promotions, Aerobic & fitness centers, Parades & fetes, Street performers, Recreational & social activities, Hobby & leisure clubs, Weddings & funeral services, Auctions.

Key Features

- Delivers a powerful 100 Watts of audio output.
- Up to 2 optional diversity receiver modules with 16 auto-scannable frequencies.
- One-touch Scan for a clear, interference-free frequency set.
- One-touch ACT syncs the transmitter and receiver frequency automatically.
- Interference warning indicator.
- Built-in retractable handle and sturdy wheels for easy transport.
- Built-in storage compartment for up to 2 handheld or body pack transmitters.
- Optional modular digital audio player & recorder.
- Built-in AC switching power supply for universal usage and fast battery charge.
- 3 power modes: AC, rechargeable battery and external DC jack.



Transmitters & Microphones

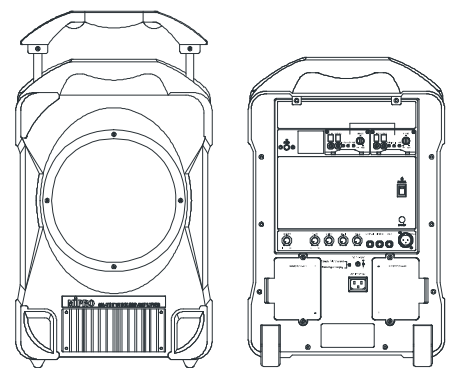
ACT-32H	Handheld Transmitter
ACT-32HC	Rechargeable Handheld Transmitter
ACT-32T	Bodypack Transmitter
ACT-32TC	Rechargeable Bodypack Transmitter
MM-107	Wired Supercardioid Dynamic Microphone

Accessories

MB-70	Sealed Lead-acid Rechargeable Battery. (12V, 4.5AH)
MB-80	Lithium Iron Phosphate (LFP) Rechargeable Battery (12.8V)
MP-80	3-in-1 Transmitter Charger Station
SC-70	Storage Cover Bag
MS-70	Tripod Speaker Stand
MA-707EXP	Passive Extension Speaker
MRM-70B	Single-Channel Diversity Receiver Module
CDM-2P	CD/USB Player Module
CDM-2BP	CD/USB/Bluetooth Player Module
CDM-3AP	CD/USB Player & Recorder Module

Technical Specifications

Portable PA	
Max. Power Output	100 Watts
Amplifier	Class AB
T.H.D.	<1%
Frequency Response	50Hz~18kHz
Speaker	8" full-range
Audio Inputs	Wired: XLR× 1 & 6.3mm (1/4")× 1 Wireless: UP to 2 wireless microphones CD Player: CD, USB port Line-In: Unbalanced 6.3mm (1/4") jack
Audio Output	Unbalanced line 6.3mm (1/4") jack
Extension Speaker	6.3mm (1/4") Phone jack
Volume	Master and other individual controls
Controls	Tone control on wireless mics
Storage	2 handheld or bodypack transmitters
Installation	Speaker stand, flat surface or retractable handle & wheels
Power Supply	AC: Built-in 100-240V AC switching power supply DC & Battery: 24~32V DC, 12V/4.5AH rechargeable gel cell battery (MB-70× 2)
Charge Time	Up to 8 hours (automatic charging management)
Stand-by Time	Up to 7 hours
Battery Indicator	Single LED indicator
Dimensions	310(W)× 445(H)× 240(D)mm 12.2(W)× 17.5(H)× 9.4(D)"
Weight	Approx. 14.8 kg 32.5 lbs, batteries included
Wireless System (optional)	
Receiver	MRM-70B with Scan & ACT sync
Max. Receiver	Up to 2
Installation	Plug-in Module
Antenna	Built-in
Audio Player (optional)	
Model	CDM-2P CDM-2BP CDM-3AP
Installation	Plug-in Module



MIPRO Electronics Co., Ltd

Headquarters: 814 Pei-kang Road, Chiayi, 60096, Taiwan
Tel: +886.5.238.0809 | Fax: +886.5.238.0803
www.mipro.com.tw | mipro@mipro.com.tw

Specifications subject to change without notice. SS015/07