

Pioneer Dj

TURNTABLE

PLX-1000

pioneerdj.com/support/

The Pioneer DJ support site shown above offers FAQs, information on software and various other types of information and services to allow you to use your product in greater comfort.

Operating Instructions

Thank you for buying this Pioneer DJ product. Please read through these operating instructions so you will know how to operate your model properly. After you have finished reading the instructions, put them away in a safe place for future reference. In some countries or regions, the shape of the power plug and power outlet may sometimes differ from that shown in the explanatory drawings. However the method of connecting and operating the unit is the same.

NOTE:

This equipment has been tested and found to comply with the limits for a Class B digital device, pursuant to Part 15 of the FCC Rules. These limits are designed to provide reasonable protection against harmful interference in a residential installation. This equipment generates, uses, and can radiate radio frequency energy and, if not installed and used in accordance with the instructions, may cause harmful interference to radio communications. However, there is no guarantee that interference will not occur in a particular installation. If this equipment does cause harmful interference to radio or television reception, which can be determined by turning the equipment off and on, the user is encouraged to try to correct the interference by one or more of the following measures:

- Reorient or relocate the receiving antenna.
- Increase the separation between the equipment and receiver.
- Connect the equipment into an outlet on a circuit different from that to which the receiver is connected.
- Consult the dealer or an experienced radio/TV technician for help.

D8-10-1-2_A1_En

CAUTION

TO PREVENT THE RISK OF ELECTRIC SHOCK, DO NOT REMOVE COVER (OR BACK). NO USER-SERVICEABLE PARTS INSIDE. REFER SERVICING TO QUALIFIED SERVICE PERSONNEL.

D3-4-2-1-1_B1_En

WARNING

This equipment is not waterproof. To prevent a fire or shock hazard, do not place any container filled with liquid near this equipment (such as a vase or flower pot) or expose it to dripping, splashing, rain or moisture.

D3-4-2-1-3_A1_En

WARNING

This product equipped with a three-wire grounding (earthed) plug - a plug that has a third (grounding) pin. This plug only fits a grounding-type power outlet. If you are unable to insert the plug into an outlet, contact a licensed electrician to replace the outlet with a properly grounded one. Do not defeat the safety purpose of the grounding plug.

D3-4-2-1-6_A1_En

Operating Environment

Operating environment temperature and humidity:
+5 °C to +35 °C (+41 °F to +95 °F); less than 85 %RH (cooling vents not blocked)

Do not install this unit in a poorly ventilated area, or in locations exposed to high humidity or direct sunlight (or strong artificial light).

D3-4-2-1-7c*_A2_En

CAUTION

The **POWER** switch on this unit will not completely shut off all power from the AC outlet. Since the power cord serves as the main disconnect device for the unit, you will need to unplug it from the AC outlet to shut down all power. Therefore, make sure the unit has been installed so that the power cord can be easily unplugged from the AC outlet in case of an accident. To avoid fire hazard, the power cord should also be unplugged from the AC outlet when left unused for a long period of time (for example, when on vacation).

D3-4-2-2-2a*_A1_En

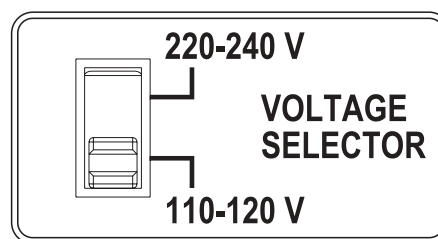
Voltage selector

You can find the voltage selector switch on the top panel of multi-voltage models.

The factory setting for the voltage selector is 110-120 V. Please set it to the correct voltage for your country or region.

- For Taiwan, please set to 110-120 V before using.

Before changing the voltage, disconnect the AC power cord. Use a medium size screwdriver to change the voltage selector switch.



D3-4-2-1-5*_A2_En

Information to User

Alterations or modifications carried out without appropriate authorization may invalidate the user's right to operate the equipment.

D8-10-2_A1_En

VENTILATION CAUTION

When installing this unit, make sure to leave space around the unit for ventilation to improve heat radiation (at least 15 cm at top, 5 cm at rear, and 5 cm at each side).

D3-4-2-1-7d*_A1_En

The graphical symbol  placed on the product means alternating current.

D3-8-2-4_A1_En

CAUTION

This product is evaluated in moderate climate condition.

D3-8-2-1-7b_A1_En

WARNING

Store small parts out of the reach of children and infants. If accidentally swallowed, contact a doctor immediately.

D41-6-4_A1_En

WARNING

To prevent a fire hazard, do not place any naked flame sources (such as a lighted candle) on the equipment.

D3-4-2-1-7a_A1_En

POWER-CORD CAUTION

Handle the power cord by the plug. Do not pull out the plug by tugging the cord and never touch the power cord when your hands are wet as this could cause a short circuit or electric shock. Do not place the unit, a piece of furniture, etc., on the power cord, or pinch the cord. Never make a knot in the cord or tie it with other cords. The power cords should be routed such that they are not likely to be stepped on. A damaged power cord can cause a fire or give you an electrical shock. Check the power cord once in a while. When you find it damaged, ask your nearest service center or your dealer for a replacement.

S002*_A1_En

For U.S.A. and Canada

IMPORTANT



The lightning flash with arrowhead symbol, within an equilateral triangle, is intended to alert the user to the presence of uninsulated "dangerous voltage" within the product's enclosure that may be of sufficient magnitude to constitute a risk of electric shock to persons.

CAUTION

RISK OF ELECTRIC SHOCK
DO NOT OPEN

CAUTION:

TO PREVENT THE RISK OF ELECTRIC SHOCK, DO NOT REMOVE COVER (OR BACK). NO USER-SERVICEABLE PARTS INSIDE. REFER SERVICING TO QUALIFIED SERVICE PERSONNEL.



The exclamation point within an equilateral triangle is intended to alert the user to the presence of important operating and maintenance (servicing) instructions in the literature accompanying the appliance.

D3-4-2-1-1b_A1_En

IMPORTANT



Ce symbole de l'éclair, placé dans un triangle équilatéral, a pour but d'attirer l'attention de l'utilisateur sur la présence, à l'intérieur du coffret de l'appareil, de "tensions dangereuses" non isolées d'une grandeur suffisante pour représenter un risque d'électrocution pour les êtres humains.

ATTENTION

DANGER D'ÉLECTROCUTION
NE PAS OUVRIR

ATTENTION :

POUR ÉVITER TOUT RISQUE D'ÉLECTROCUTION, NE PAS ENLEVER LE COUVERCLE (NI LE PANNEAU ARRIÈRE). AUCUNE PIÈCE RÉPARABLE PAR L'UTILISATEUR NE SE TROUVE À L'INTÉRIEUR. CONFIER TOUT ENTRETIEN À UN PERSONNEL QUALIFIÉ UNIQUEMENT.



Ce point d'exclamation, placé dans un triangle équilatéral, a pour but d'attirer l'attention de l'utilisateur sur la présence, dans les documents qui accompagnent l'appareil, d'explications importantes du point de vue de l'exploitation ou de l'entretien.

D3-4-2-1-1b_A1_Fr

NOTE

THE NO USER-SERVICEABLE PARTS COMPARTMENT WARNING IS LOCATED ON THE APPLIANCE BOTTOM.

D3-7-13-68_A1_En

IMPORTANT SAFETY INSTRUCTIONS

- 1) Read these instructions.
- 2) Keep these instructions.
- 3) Heed all warnings.
- 4) Follow all instructions.
- 5) Do not use this apparatus near water.
- 6) Clean only with dry cloth.
- 7) Do not block any ventilation openings. Install in accordance with the manufacturer's instructions.
- 8) Do not install near any heat sources such as radiators, heat registers, stoves, or other apparatus (including amplifiers) that produce heat.
- 9) Do not defeat the safety purpose of the polarized or grounding-type plug. A polarized plug has two blades with one wider than the other. A grounding type plug has two blades and a third grounding prong. The wide blade or the third prong are provided for your safety. If the provided plug does not fit into your outlet, consult an electrician for replacement of the obsolete outlet.
- 10) Protect the power cord from being walked on or pinched particularly at plugs, convenience receptacles, and the point where they exit from the apparatus.
- 11) Only use attachments/accessories specified by the manufacturer.
- 12) Use only with the cart, stand, tripod, bracket, or table specified by the manufacturer, or sold with the apparatus. When a cart is used, use caution when moving the cart/apparatus combination to avoid injury from tip-over.
- 13) Unplug this apparatus during lightning storms or when unused for long periods of time.
- 14) Refer all servicing to qualified service personnel. Servicing is required when the apparatus has been damaged in any way, such as power-supply cord or plug is damaged, liquid has been spilled or objects have fallen into the apparatus, the apparatus has been exposed to rain or moisture, does not operate normally, or has been dropped.



D3-7-13-69_En

IMPORTANT NOTICE

THE MODEL NUMBER AND SERIAL NUMBER OF THIS EQUIPMENT ARE ON THE REAR OR BOTTOM. RECORD THESE NUMBERS ON PAGE 19 FOR FUTURE REFERENCE.

D36-AP9-3*_A1_En

The Safety of Your Ears is in Your Hands

Get the most out of your equipment by playing it at a safe level – a level that lets the sound come through clearly without annoying blaring or distortion and, most importantly, without affecting your sensitive hearing. Sound can be deceiving. Over time, your hearing “comfort level” adapts to higher volumes of sound, so what sounds “normal” can actually be loud and harmful to your hearing. Guard against this by setting your equipment at a safe level BEFORE your hearing adapts.

ESTABLISH A SAFE LEVEL:

- Set your volume control at a low setting.
- Slowly increase the sound until you can hear it comfortably and clearly, without distortion.
- Once you have established a comfortable sound level, set the dial and leave it there.

BE SURE TO OBSERVE THE FOLLOWING GUIDELINES:

- Do not turn up the volume so high that you can't hear what's around you.
- Use caution or temporarily discontinue use in potentially hazardous situations.
- Do not use headphones while operating a motorized vehicle; the use of headphones may create a traffic hazard and is illegal in many areas.

S001a_A1_En

REMARQUE

L'AVERTISSEMENT DE PIÈCES NON RÉPARABLES PAR L'UTILISATEUR SE TROUVE SUR LE DESSOUS DE L'APPAREIL.

D3-7-13-68_A1_Fr

AVERTISSEMENT

Cet appareil n'est pas étanche. Pour éviter les risques d'incendie et de décharge électrique, ne placez près de lui un récipient rempli d'eau, tel qu'un vase ou un pot de fleurs, et ne l'exposez pas à des gouttes d'eau, des éclaboussures, de la pluie ou de l'humidité.

D3-4-2-1-3_A1_Fr

AVERTISSEMENT

Cet appareil est muni d'une fiche de mise à la terre (masse) à trois fils. Comme la fiche présente une troisième broche (de terre), elle ne peut se brancher que sur une prise de courant, prévue pour une mise à la terre. Si vous n'arrivez pas à insérer la fiche dans la prise de courant, contactez un électricien qualifié pour faire remplacer la prise par une qui soit mise à la terre. N'annulez pas la fonction de sécurité que procure cette fiche de mise à la terre.

D3-4-2-1-6_A1_Fr

AVERTISSEMENT

Pour éviter les risques d'incendie, ne placez aucune flamme nue (telle qu'une bougie allumée) sur l'appareil.

D3-4-2-1-7a_A1_Fr

NOTE IMPORTANTE SUR LE CÂBLE D'ALIMENTATION

Tenir le câble d'alimentation par la fiche. Ne pas débrancher la prise en tirant sur le câble et ne pas toucher le câble avec les mains mouillées. Cela risque de provoquer un court-circuit ou un choc électrique. Ne pas poser l'appareil ou un meuble sur le câble. Ne pas pincer le câble. Ne pas faire de noeud avec le câble ou l'attacher à d'autres câbles. Les câbles d'alimentation doivent être posés de façon à ne pas être écrasés. Un câble abîmé peut provoquer un risque d'incendie ou un choc électrique. Vérifier le câble d'alimentation de temps en temps. Contacter le service après-vente le plus proche ou le revendeur pour un remplacement.

S002*_A1_Fr

Milieu de fonctionnement

Température et humidité du milieu de fonctionnement : De +5 °C à +35 °C (de +41 °F à +95 °F) ; Humidité relative inférieure à 85 % (orifices de ventilation non obstrués)

N'installez pas l'appareil dans un endroit mal ventilé ou un lieu soumis à une forte humidité ou en plein soleil (ou à une forte lumière artificielle).

D3-4-2-1-7c*_A1_Fr

PRÉCAUTION DE VENTILATION

Lors de l'installation de l'appareil, veillez à laisser un espace suffisant autour de ses parois de manière à améliorer la dissipation de chaleur (au moins 15 cm sur le dessus, 5 cm à l'arrière et 5 cm de chaque côté).

D3-4-2-1-7d*_A1_Fr

ATTENTION

L'interrupteur **POWER** de cet appareil ne coupe pas complètement celui-ci de sa prise secteur. Comme le cordon d'alimentation fait office de dispositif de déconnexion du secteur, il devra être débranché au niveau de la prise secteur pour que l'appareil soit complètement hors tension. Par conséquent, veillez à installer l'appareil de telle manière que son cordon d'alimentation puisse être facilement débranché de la prise secteur en cas d'accident. Pour éviter tout risque d'incendie, le cordon d'alimentation sera débranché au niveau de la prise secteur si vous prévoyez une période prolongée de non utilisation (par exemple avant un départ en vacances).

D3-4-2-2a*_A1_Fr

AVERTISSEMENT

Gardez les pièces de petite taille hors de la portée des bébés et des enfants. En cas d'ingestion accidentelle, veuillez contacter immédiatement un médecin.

D41-6-4_A1_Fr

Le symbole graphique  indiqué sur le produit représente le courant alternatif.

D3-8-2-4_A1_Fr

ATTENTION

Ce produit a été testé dans des conditions de climat tempéré.

D3-8-2-1-7b_A1_Fr

Contents

How to read this manual

In this booklet, the names of the buttons and terminals of the main unit appear in square brackets ([]).

Examples:

- Press the [START/STOP] button.
- If this product is connected to a pre-main amplifier or component that does not have a [PHONO] terminal, sufficient volume and sound quality cannot be obtained. In this case, use the PHONO equalizer.

01 Before start

Features	6
What's in the box	6

02 Before you start

About the cartridge.....	7
Assembly	7

03 Part names and functions

Top panel	9
Rear panel	10

04 Adjustment

Adjusting the tone arm balance.....	11
Adjusting the stylus pressure.....	11
Adjusting anti-skating	11
Adjusting the arm lifter height	12
Adjusting the arm height.....	12

05 Connections

Descriptions of terminals.....	13
Basic style.....	13
Place of installation	14

06 Operation

Turning the power on	15
Turning the power off	15
Playback	15
Pausing playback.....	15
Finishing playback.....	15
Adjusting the pitch	16

07 Additional information

Troubleshooting.....	17
Cautions on use	17
Maintenance of each part.....	17
About trademarks and registered trademarks	18
Specifications.....	18

Before start

Features

This unit is a professional turntable that provides functions, durability, operability and sound quality suitable for a wide range of occasions, from listening at home to disco or club scenes.

Direct drive system that achieves high torque

The unit turns at a constant speed with 0.1 % or less wow and flutter, 4.5 kg·cm or more starting torque and start time of 0.3 seconds (at 33 1/3 rpm).

Design focused on high sound quality

- For the RCA terminal, we adopted a gold plated component made of the same cutting product as the TAD player, which is our flagship brand. A stable connection directly transmits the PHONO signal.
- External vibration effects are suppressed by the use of vibration suppression material between the top and bottom cabinet.

Highly accurate, 3-level adjustable tempo control

- Tempo variable width can be adjusted to $\pm 8\%$, $\pm 16\%$, and $\pm 50\%$. This provides highly flexible playback.
- Pressing the [RESET] button instantly returns the tempo to $\pm 0\%$ constant rotation.

Detachable power cord and audio cables

- Cables are not obstacles when the main unit is moved, thus preventing disconnection problems.
- By replacing the audio cable, it is possible to customize the unit to deliver the preferred sound.

What's in the box

- Turntable
- Turntable sheet
- Slip mat
- Slip sheet
- Dust cover
- Adapter for EP record
- Balance weight
- Sub weight
- Headshell
- Shell weight
- Power cord
- Audio cable
- Ground wire
- Operating instructions (this document)

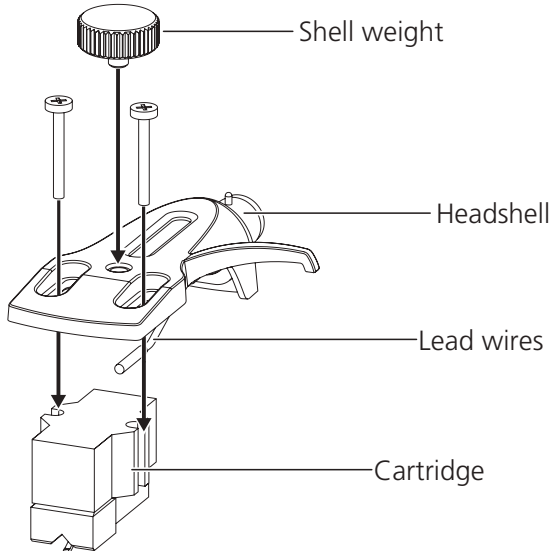
Before you start

About the cartridge

- The cartridge is not provided.
- Refer to the instruction manual for your cartridge.

Attach the cartridge on the headshell.

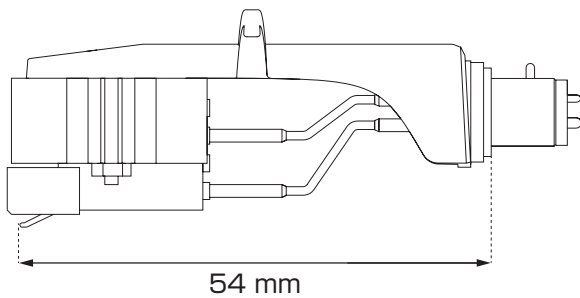
The lead wires of the headshell part are color-coded. Use tweezers or a similar tool to correctly connect the wires to the corresponding cartridge terminal per the indication on the cartridge.



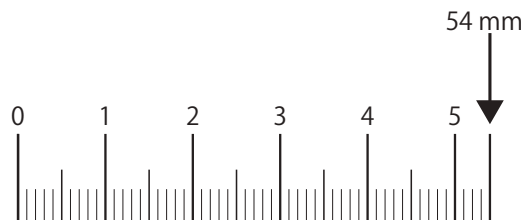
- If a horizontal balance cannot be obtained because the cartridge is too light, use the supplied shell weight.

Adjusting the overhang

Use the following overhang adjustment scale to adjust the position using the cartridge attaching screw so that the stylus tip comes to a position 54 mm from the tone arm attachment part.



Overhang adjustment scale

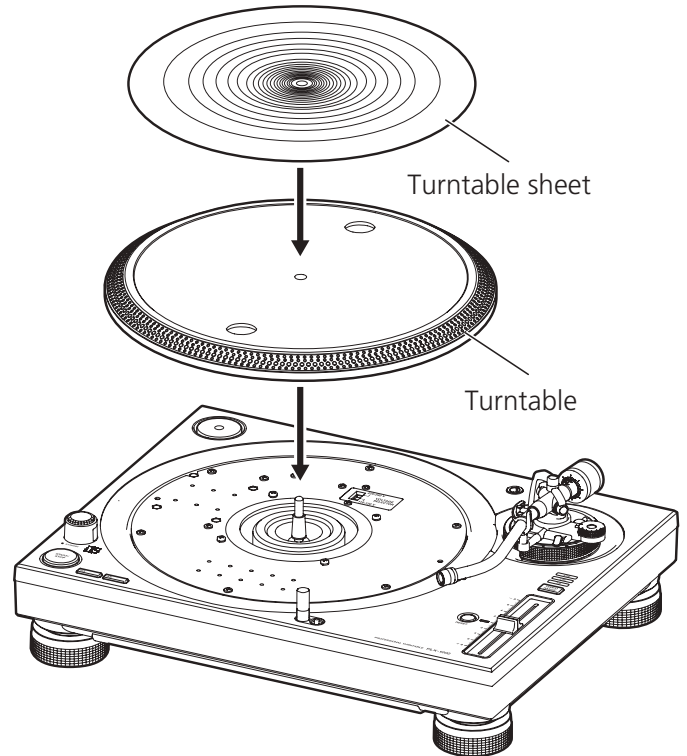


Assembly

1 Attach the turntable and turntable sheet.

Set the turntable on the center spindle and place the turntable sheet on top of the turntable.

- Be careful not to hit the turntable on the main unit or drop it.
- Make sure that iron powder or other dust is not adhering to the magnet on the back of the turntable.
- Do not touch the magnet fixing screw of the turntable (3 locations). If the fixing screw position is changed, the rated performance cannot be guaranteed.

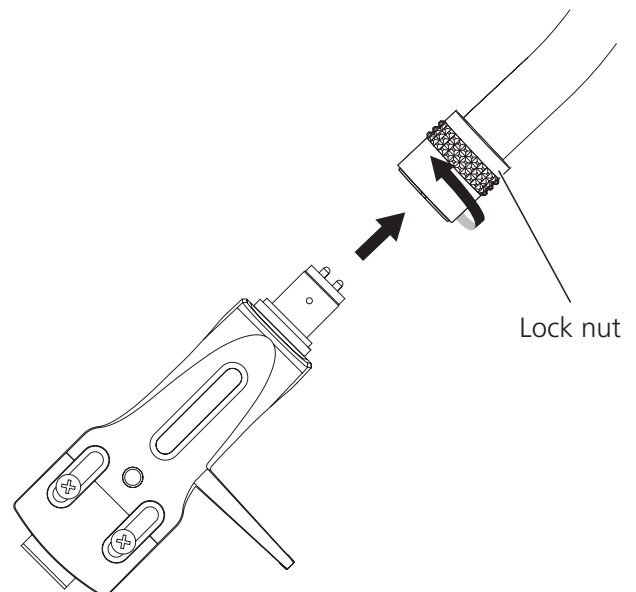


2 Attach the cartridge on the headshell.

The lead wires of the headshell part are color-coded. Use tweezers or a similar tool to correctly connect the wires to the corresponding cartridge terminal per the indication on the cartridge.

3 Attach the headshell.

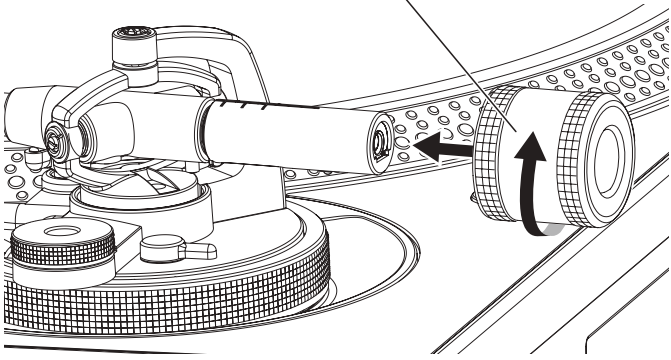
Insert the headshell with attached cartridge into the tone arm. Next, while keeping the headshell horizontal, tighten the lock nut.



4 Attach the balance weight.

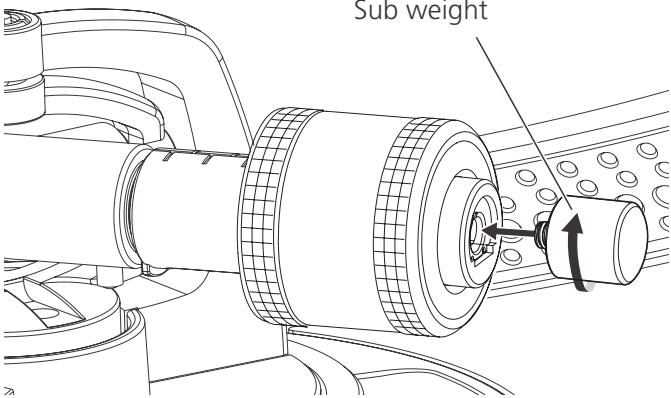
Attach the balance weight to the rear shaft of the tone arm.

Balance weight



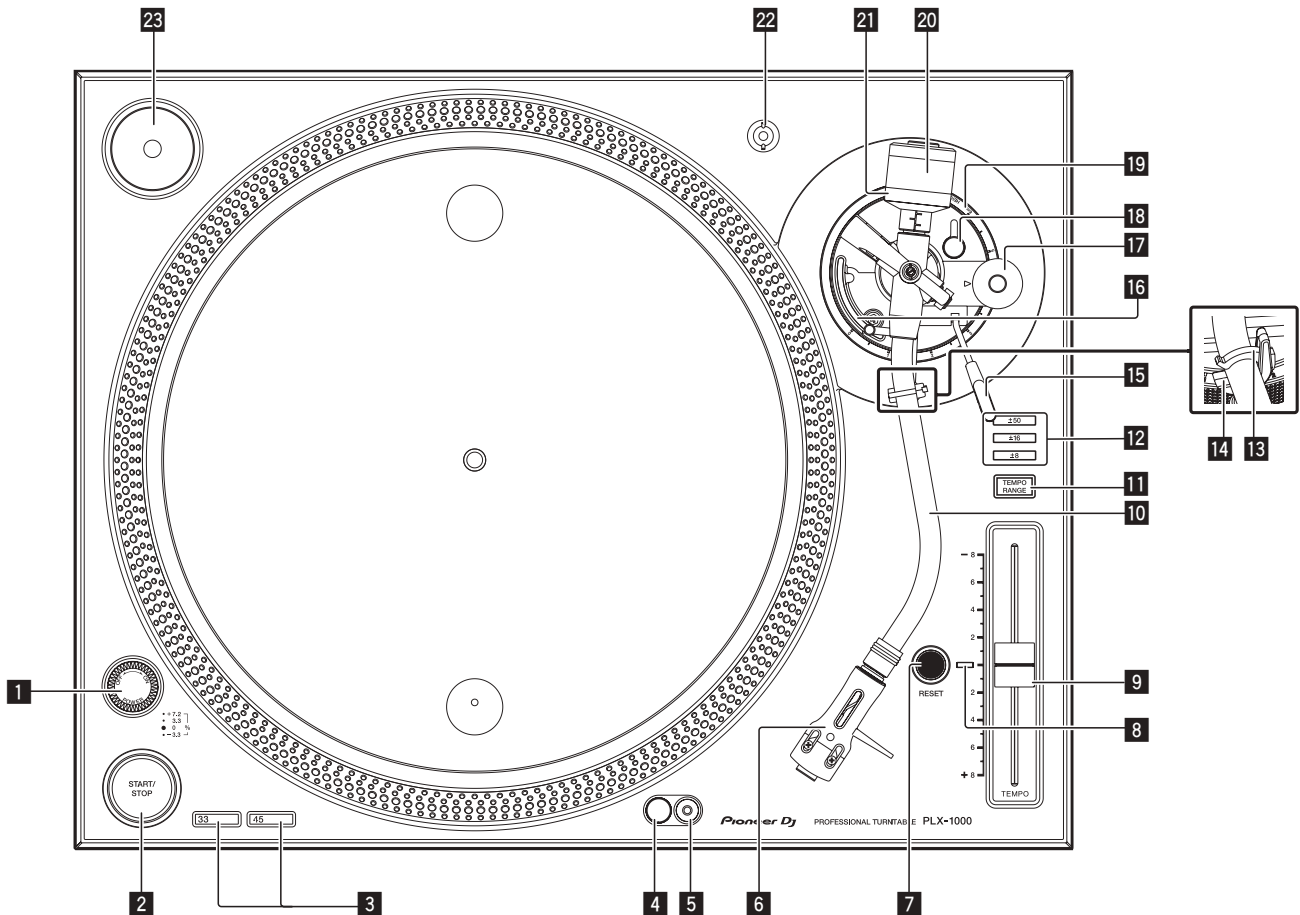
- If a horizontal balance cannot be obtained because the cartridge is too heavy, attach the sub weight to the rear shaft of the tone arm.

Sub weight



Part names and functions

Top panel



1 POWER switch

When turning the switch to the [ON] side, the power is turned on and the strobe illuminator on the side lights.

➔ *Playback* (p.15)

2 START/STOP button

Pressing the button starts or stops rotation of the turntable.

➔ *Playback* (p.15)

3 Speed change button

Changes the speed according to the record to be played.

- For a 33 1/3 rpm record, press the [33] button.
- For a 45 rpm record, press the [45] button.

➔ *Playback* (p.15)

4 Stylus illuminator

Lights to illuminate the stylus tip.

➔ *Playback* (p.15)

5 Stylus illuminator switch

The stylus illuminator lights in white and ascends to the position at which the stylus tip is illuminated.

➔ *Playback* (p.15)

6 Headshell

Used with a cartridge attached.

7 RESET button

8 RESET indicator

Pressing the [RESET] button turns on the [RESET] indicator. While the [RESET] indicator is on, the turntable turns at the specified rotation speed (33 1/3 rpm or 45 rpm) regardless of the position of the **TEMPO** slider.

➔ *Adjusting the pitch* (p.16)

9 TEMPO slider

You can slide back and forth to perform fine adjustment of the rotation speed.

➔ *Adjusting the pitch* (p.16)

10 Tone arm

➔ *Adjustment* (p.11)

11 TEMPO RANGE button

Each time the button is pressed the tempo range switches, to $\pm 8\%$, $\pm 16\%$, or $\pm 50\%$.

➔ *Adjusting the pitch* (p.16)

12 TEMPO RANGE indicator

The set tempo range lights in blue.

13 Arm clamer

Clamps the tone arm.

14 Arm rest

Serves as the support base for the tone arm.

15 Lifter lever

The tone arm goes up when the lever is pulled up. The tone arm goes down when the lever is pushed down.

16 Arm lifter

This device is used to move the tone arm up and down. It is operated by the lifter lever.

17 ANTI SKATING dial

When a record is played, there is power to pull the stylus tip toward the inner perimeter. By matching this dial to the stylus pressure value, that power is eliminated.

➔ *Adjusting anti-skating* (p.11)

18 HEIGHT ADJUST lock

Locks the adjusted height of the arm.

➔ *Adjusting the arm height* (p.12)

19 HEIGHT ADJUST dial

Used to adjust the height of the tone arm.

➔ *Adjusting the arm height* (p.12)

20 Balance weight

Used to balance the tone arm and adjust the stylus pressure.

➔ *Adjustment* (p.11)

21 Stylus pressure adjustment ring

Used to match to the appropriate stylus pressure of the cartridge.

➔ *Adjusting the stylus pressure* (p.11)

22 Headshell stand

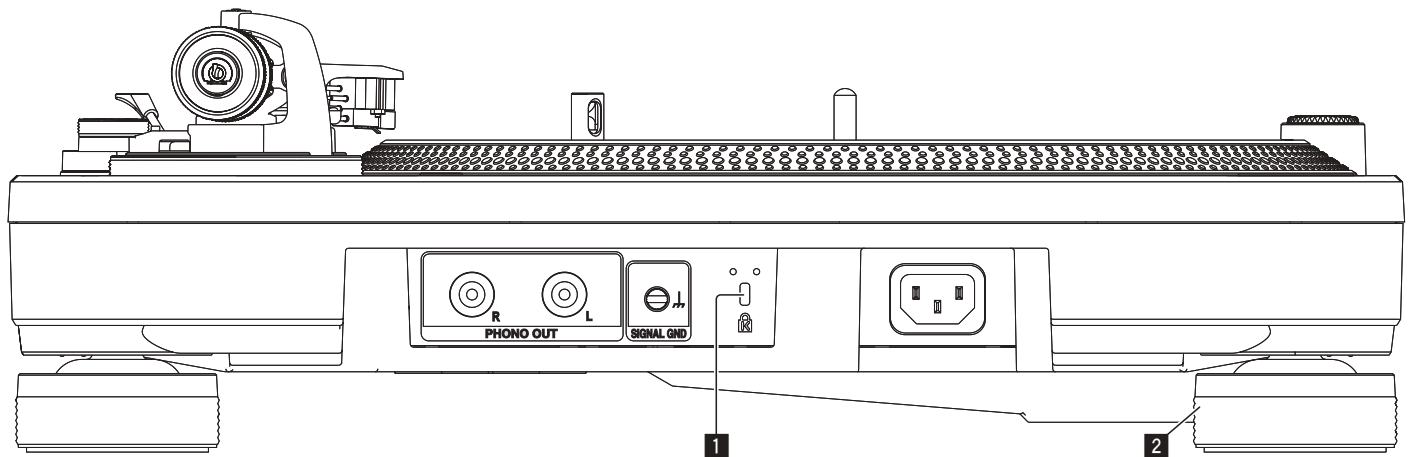
Used to stand the shell up.

23 Adapter for EP record

Used to play standard EP records.

➔ *To play a standard EP record* (p.15)

Rear panel



For the terminals used for connections, see *Descriptions of terminals* on page 13.

1 Kensington security slot**2 Insulator**

Suppresses the effect of outside vibration. Turning the insulator adjusts the turntable height.

➔ *Adjusting the height of the main unit* (p.14)

Adjustment

Adjusting the tone arm balance

- Because the cartridge and headshell weights differ depending on the product, the balance of the tone arm is adjusted.

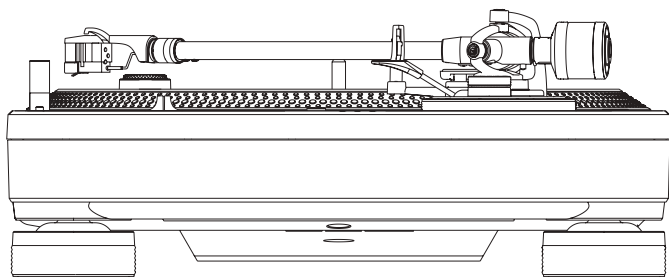
Prepare as follows.

- Remove the stylus cover and arm clasper while paying attention not to touch the stylus tip.
- Push down the lifter lever.
- Set the [ANTI SKATING] dial to "0".

Keep the tone arm from the arm rest and adjust the balance so it is horizontal.

Turn the balance weight until the tone arm becomes almost horizontal.

- When moving the tone arm, make sure that the stylus tip does not directly touch the turntable and the like.



Adjusting the stylus pressure

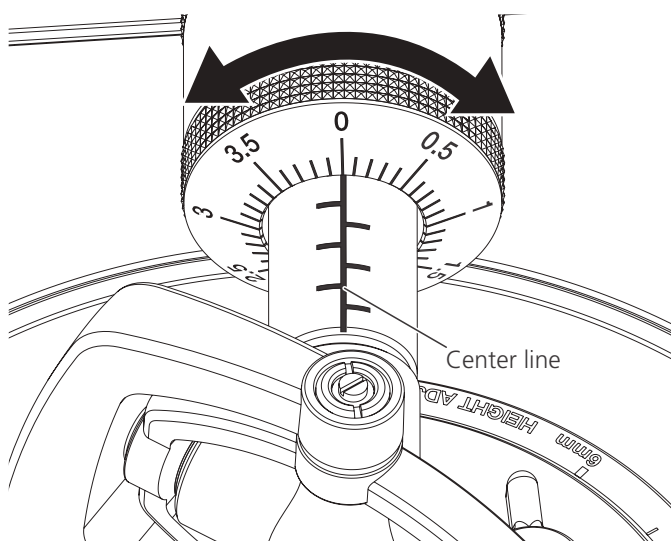
- To prevent stylus jumping or sound distortion, the stylus pressure is adjusted to the appropriate stylus pressure value determined for each cartridge.

Prepare as follows.

- Return the tone arm to the arm rest and secure with the arm clamp.

1 Match the "0" on the stylus pressure adjustment ring to the center line of the arm rear shaft.

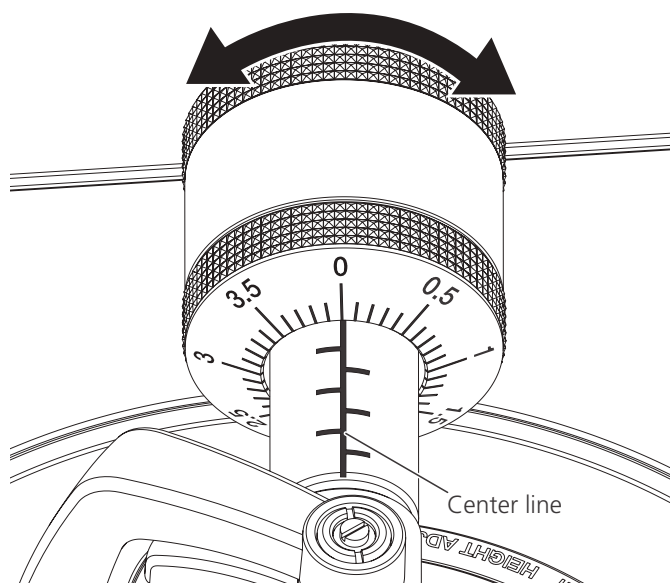
While using your finger to hold the balance weight to keep it from moving, turn only the stylus pressure adjustment ring so that the number "0" comes to the black center line of the tone arm rear shaft.



2 Adjust the stylus pressure.

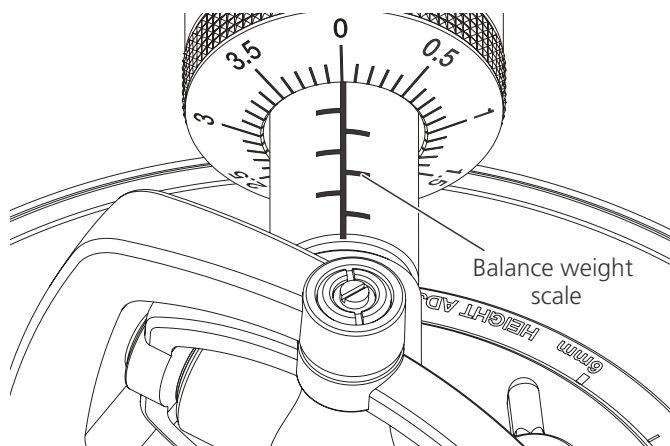
Turn the balance weight to adjust to the appropriate stylus pressure value for your cartridge.

- When turning the balance weight, the stylus pressure adjustment ring turns together. While observing the adjustment ring, adjust the stylus pressure to the appropriate value.



Using the balance weight attachment scale

It is recommended to remember the balance weight scale position of your shell with cartridge because you can set the appropriate stylus pressure by simply setting to the set balance weight scale position without adjusting the tone arm horizontal balance.



1 Attach your shell with cartridge to the tone arm.

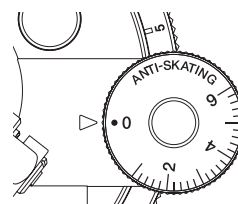
2 Using the value set for the balance weight, adjust the balance weight attachment scale position.

Adjusting anti-skating

This adjustment is made to prevent stylus jumping.

Match to the same scale position as the stylus pressure value.

Turn the [ANTI SKATING] dial to match the reference line to the same value as the cartridge stylus pressure value.



When scratch play is performed

To prevent stylus jumping, adjust the scale position to match the play action.

Adjusting the arm lifter height

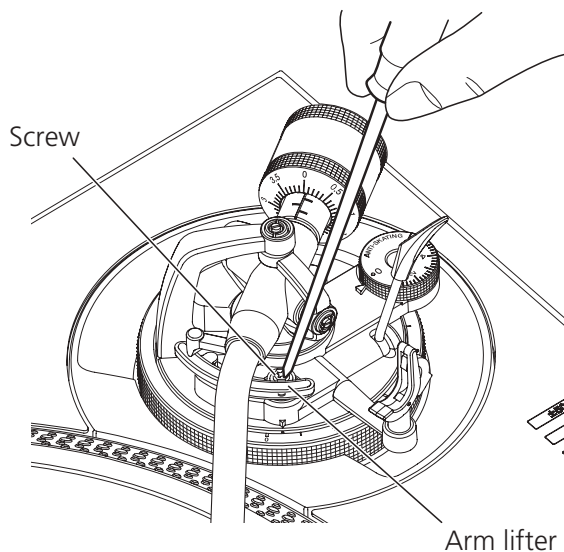
If necessary, perform adjustment to match the cartridge being used. Prepare as follows.

- Place a record on the turntable sheet.
- Remove the stylus cover and arm clumper while paying attention not to touch the stylus tip.
- Pull up the lifter lever and move the tone arm onto the record.

Adjust the height by turning the screw while the arm lifter is pushed down.

- Turning clockwise narrows the distance between the record and stylus.
- Turning counterclockwise widens the distance between the record and stylus.

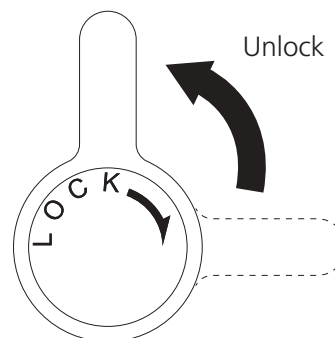
The arm lifter height (the distance between the record and stylus when the lifter lever is pulled up) is factory-adjusted in a range between approximately 8 mm and 13 mm.



* Turn the screw while pushing down this part.

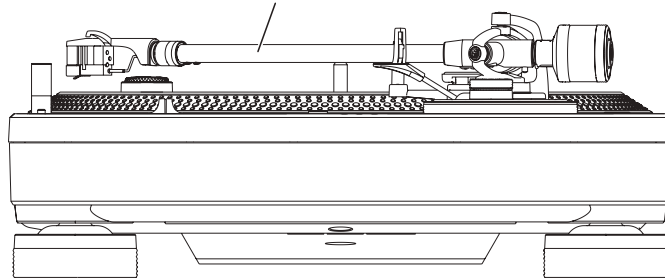
Adjusting the arm height

1 Turn the [HEIGHT ADJUST] lock to unlock the lock.

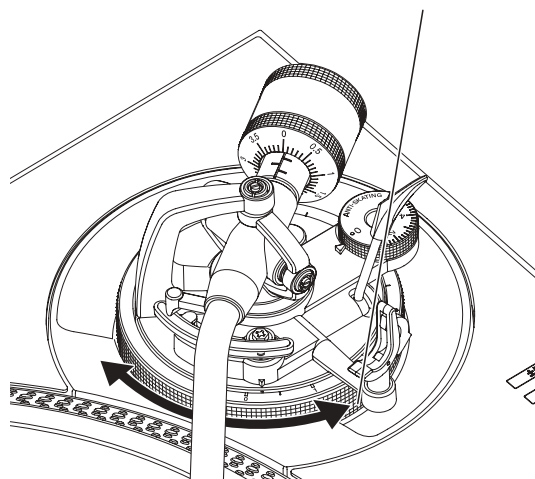


2 Push down the lifter lever and place the stylus on the record, then adjust the [HEIGHT ADJUST] dial to make the tone arm and record parallel.

Adjust so that the tone arm becomes horizontal



[HEIGHT ADJUST] dial



Refer to the following table to adjust the [HEIGHT ADJUST] dial to match the height to your cartridge size.

Cartridge size H (mm)	[HEIGHT ADJUST] dial scale position
	19
20	1
21	2
22	3
23	4
24	5
25	6

3 Turn the [HEIGHT ADJUST] lock to fix the height of the arm.

After adjusting height of the arm, always turn the [HEIGHT ADJUST] lock to fix the arm.

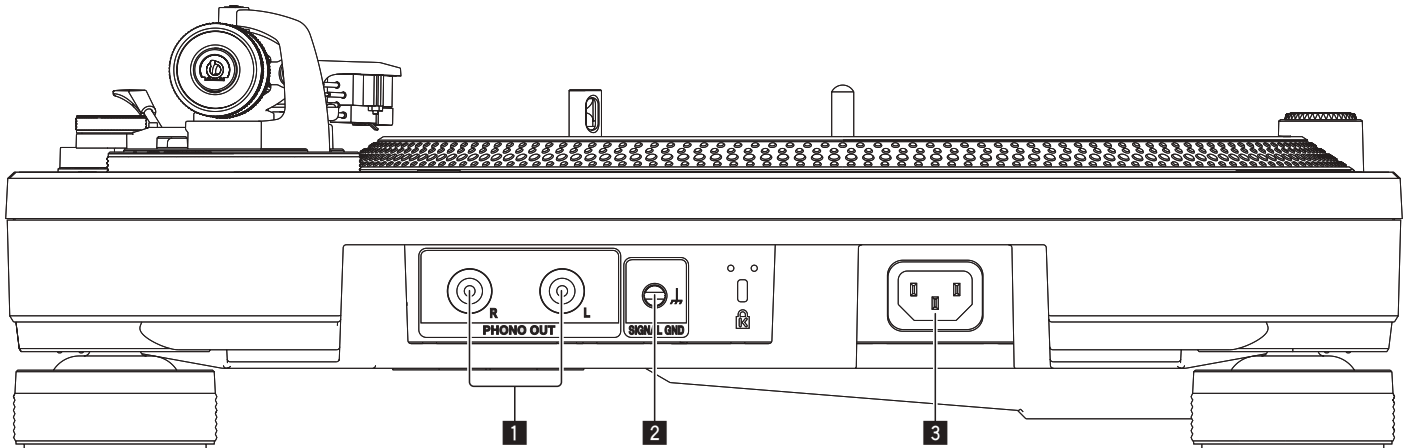
When scratch play is performed

To prevent stylus jumping, use the [HEIGHT ADJUST] dial to adjust the arm height to match the play action.

Connections

- Be sure to turn off the power and unplug the power cord from the power outlet whenever making or changing connections.
- Refer to the operating instructions for the component to be connected.
- Connect the power cord after all the connections between devices have been completed.

Descriptions of terminals



1 PHONO OUT terminals

Connect the audio cables (included) here.

2 SIGNAL GND terminal

Connect the ground wire (accessory). This helps reduce noise when connecting an analog player.

3 AC IN

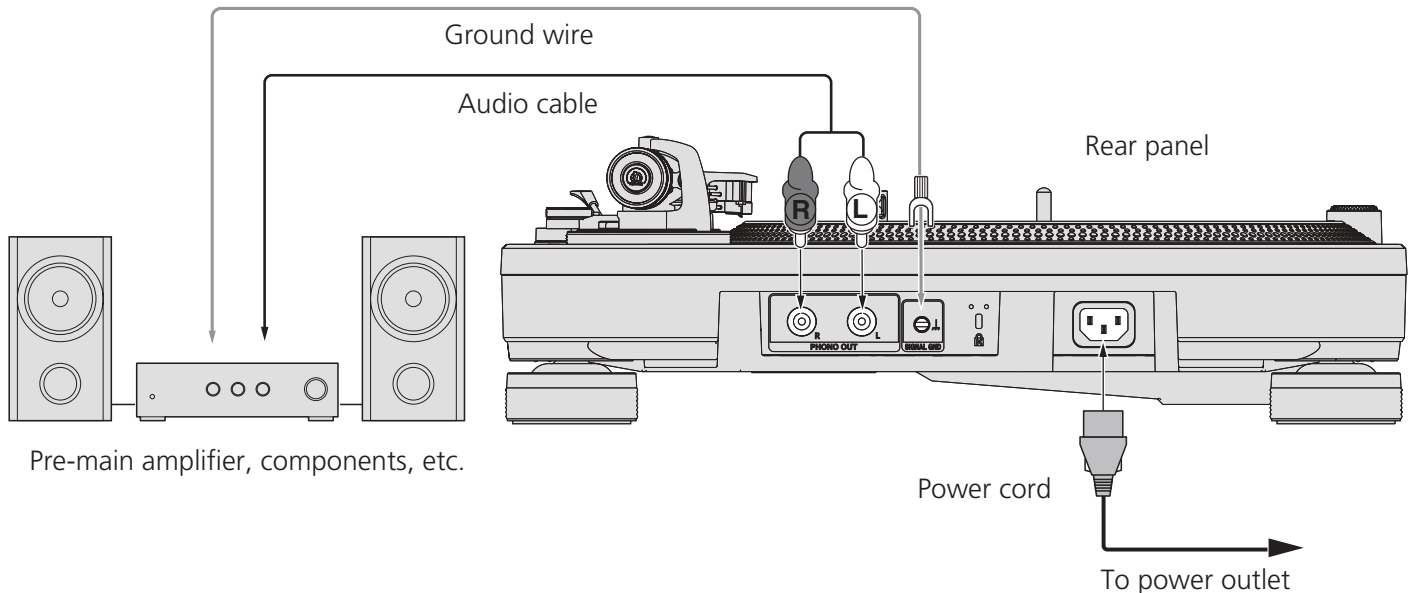
Connects to a power outlet using the included power cord. Wait until all connections between the equipment are completed before connecting the power cord.

- Be sure to use the included power cord.

Basic style

- Connects to a power outlet using the included power cord. Wait until all connections between the equipment are completed before connecting the power cord.
- Refer to the operating instructions for the component to be connected.

Connecting to a pre-main amplifier and component



1 Connect the audio cable and ground wire to the [PHONO] input terminal of the pre-main amplifier or other component.

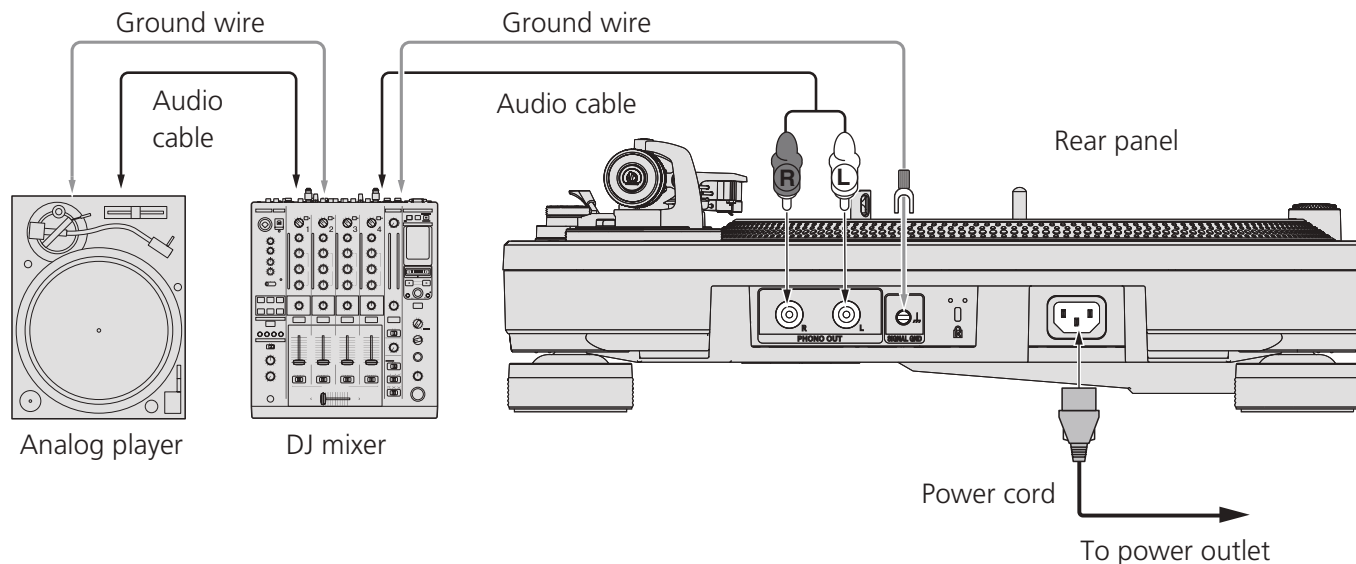
- If this product is connected to a pre-main amplifier or component that does not have a [PHONO] terminal, sufficient volume and sound quality cannot be obtained. In this case, use the PHONO equalizer.
- Make sure to connect the ground wire. If the unit is not properly grounded, a power hum (humming sound) occurs.

2 Connect the power cord.

Connects to a power outlet using the included power cord. Wait until all connections between the equipment are completed before connecting the power cord.

- Before connecting to the outlet (AC outlet) mounted on the connected equipment, check the wattage displayed on the outlet. (This unit consumes 9 W of power.)

Connecting to a DJ mixer



1 Connect the audio cable and ground wire to the [PHONO] input terminal of the DJ mixer.

- If this product is connected to a DJ mixer that does not have a [PHONO] input terminal, sufficient volume and sound quality cannot be obtained.
- Make sure to connect the ground wire. If the unit is not properly grounded, a power hum (humming sound) occurs.

2 Connect the power cord.

Connects to a power outlet using the included power cord. Wait until all connections between the equipment are completed before connecting the power cord.

- Before connecting to the outlet (AC outlet) mounted on the connected equipment, check the wattage displayed on the outlet. (This unit consumes 9 W of power.)

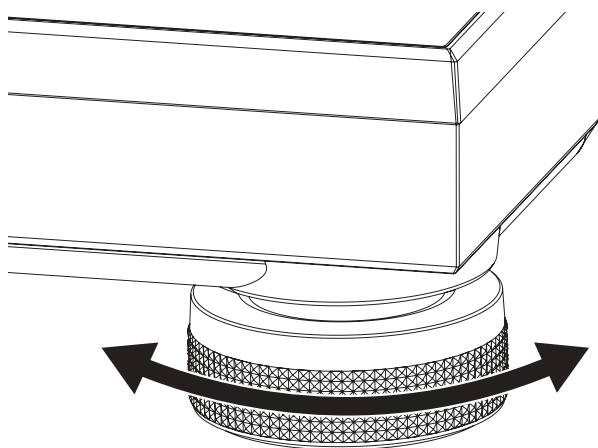
Place of installation

Place the unit on a level surface that is free of external vibration.

- To the extent possible, keep the unit away from the speaker system.
- When the unit is very close to a radio (AM/FM broadcasting), the radio could generate noise. Keep the distance as far away from the unit as possible.

Adjusting the height of the main unit

Adjust the height by turning the insulator in a way that the main unit is horizontal.



Operation

Turning the power on

1 Make all the connections, then plug the power cord into a power outlet.

⇒ *Connections* (p.13)

2 Change the [POWER] switch to the [ON] side to turn on the power of the unit.

This unit's indicators light and the power turns on.

Turning the power off

Change the [POWER] switch to the [OFF] side to turn off the power of the unit.

This unit's power turns off.

Playback

Prepare as follows.

- Place a record on the turntable.
- Remove the stylus cover and arm clamber.

1 Change the [POWER] switch to the [ON] side to turn on the power of the unit.

2 Press the [START/STOP] button.

The turntable rotates.

3 Press the [RESET] button.

The [RESET] indicator lights in yellow-green and the speed returns to the prescribed rpm (33 1/3 or 45 rpm).

4 Pull up the lifter lever and move the tone arm onto the record.

5 Push down the lifter lever.

The tone arm slowly descends and playback begins.

Pausing playback

Pull up the lifter lever.

The stylus of the cartridge lifts away from the record.

- To resume playback, push down the lifter lever.

Finishing playback

1 Pull up the lifter lever to return the tone arm to the arm rest and then push down the lifter lever.

2 Press the [START/STOP] button.

An electronic brake brings the turntable to a smooth stop.

3 Change the [POWER] switch to the [OFF] side to turn off the power of the unit.

Use the arm clamber to secure the tone arm.

To protect the stylus tip, attach the stylus cover.

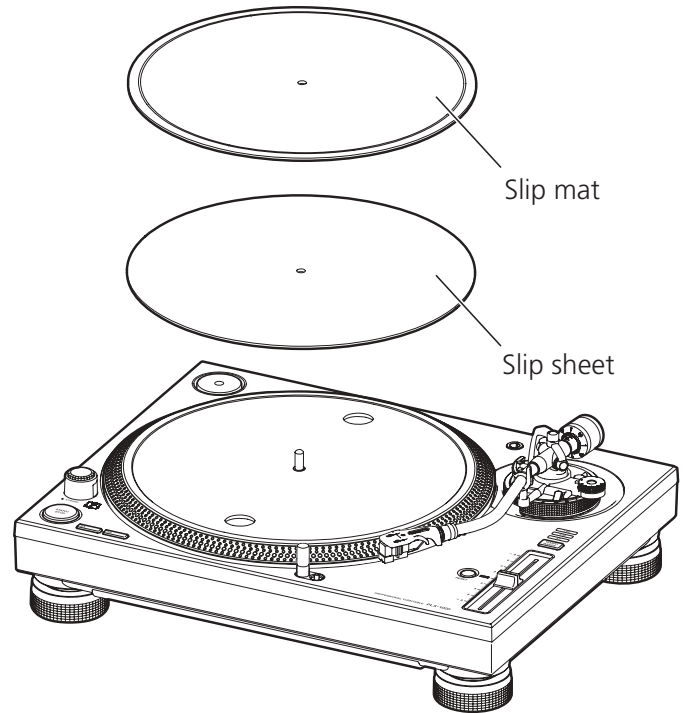
About the slip mat and slip sheet

Slip mat

If you use the mat instead of the turntable sheet, you can stop the record by hand during playing, or turn the turntable in reverse.

Slip sheet

When the slip sheet is used under the slip mat, sliding of scratch becomes smooth.



To play a standard EP record

Attach the EP record adapter to the center spindle and press the [45] button.

Illuminating the stylus tip

When the stylus illuminator switch is pressed, the stylus illuminator lights in white and ascends to the position at which the stylus tip is illuminated.

- If it is not needed, press the stylus illuminator switch to lower it. The stylus illuminator switch goes off.

Attaching the dust cover

When you are done using the unit, hold both sides of the dust cover and place from directly above.

Adjusting the pitch

1 Press the [RESET] button to turn off the [RESET] indicator.

2 Move the [TEMPO] slider forward or backward.

Moving the slider forward increases the rotation speed and moving it backward decreases the rotation speed.

- The scale of the [TEMPO] slider is a rough value. Please use it as a guide.

3 Press the [TEMPO RANGE] button.

The [TEMPO] slider's adjustment range switches each time the button is pressed. The adjustment range indicator lights.

Setting value	Units of adjustment
±8	0.016 %
±16	0.032 %
±50	0.1 %

Returning to the usual pitch

Press the [RESET] button.

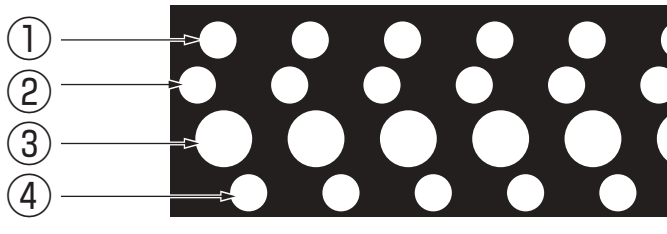
Pressing the [RESET] button turns on the [RESET] indicator. While the [RESET] indicator is on, the turntable turns at the specified rotation speed (33 1/3 rpm or 45 rpm) regardless of the position of the TEMPO slider.

Detecting the pitch

Finer pitch can be detected by looking at the four rows of strobe patterns inscribed around the turntable.

- A strobe illuminator (blue LED light) is used to illuminate the strobe pattern of the unit. Always use the strobe illuminator when detecting pitch.

Strobe pattern



- ① When strobe pattern looks stopped +7.2 % pitch change
- ② When strobe pattern looks stopped +3.3 % pitch change
- ③ When strobe pattern looks stopped Specified rotation speed (33 1/3 rpm or 45 rpm)
- ④ When strobe pattern looks stopped -3.3 % pitch change

Additional information

Troubleshooting

- Incorrect operation is often mistaken for trouble or malfunction. If you think that there is something wrong with this component, check the points below and the [FAQ] for the [PLX-1000] on the Pioneer DJ support site.
pioneerdj.com/support/
Sometimes the problem may lie in another component. Inspect the other components and electrical appliances being used. If the problem cannot be rectified, ask your nearest Pioneer authorized service center or your dealer to carry out repair work.
- This unit may not operate properly due to static electricity or other external influences. In this case, proper operation may be restored by turning the power off, waiting 1 minute, then turning the power back on.

Problem	Check	Remedy
The power is not turned on.	Is the power cord properly connected?	Properly connect the included power cord to a power outlet.
	Is the [POWER] switch for power supply set to [ON]?	Set the [POWER] switch for power supply to [ON].
No sound or small sound.	Are the audio cables properly connected?	Connect the audio cables properly.
	Are the terminals and plugs dirty?	Clean the terminals and plugs before making connections.
	Is the headshell attached properly?	Attach the headshell properly.
The left and right sound are reversed.	Are the left and right connections for each piece of equipment reversed?	Correctly connect the audio cable and the lead wires of headshell part.
There is a low hum sound (humming or buzzing sound) during playback.	Is there an electric device such as a fluorescent lamp or its power cord near the connection cord?	Place the power cord of the fluorescent lamp or other device as far away as possible.
	Is the ground wire of the turntable system disconnected?	Connect the ground wire properly.
The stylus tip does not come down on the record.	Is the stylus pressure adjusted properly?	Match the balance weight to the appropriate stylus pressure value for your cartridge.
	Is the arm horizontally balanced?	Turn the balance weight until the tone arm becomes horizontal state.
Stylus jumping occurs.	Is the stylus pressure adjusted properly?	Match the balance weight to the appropriate stylus pressure value for your cartridge.
	Is the record warped or does it have scratches?	Check the condition of the record.
	Does the stylus tip have a lot of dust on it?	Remove the shell with cartridge and use a soft tip brush or writing brush to carefully remove dust, etc. from the stylus tip.
	Is anti-skating adjusted correctly?	Adjust anti-skating correctly.
	Is the arm height adjusted correctly?	Adjust the arm height correctly.
The arm stops along the way and does not go ahead.	Does the record have scratches?	Check the condition of the record.
	Is the arm coming into contact with something?	Check around the arm. If there is an obstacle, remove it.
Sound volume is low or loud.	Is the connection to the amplifier appropriate for the cartridge type (output)?	Connect the connection cables properly.

Cautions on use

About condensation

Water droplets (condensation) may form inside the unit (on operating parts and lenses) in the winter, for example, if the unit is moved from a cold place into a warm room or if the temperature in the room in which the unit is installed rises suddenly (through heating, etc.). The unit will not operate properly and will not be playable with condensation inside. Let the unit stand for 1 to 2 hours at room temperature (though this time depends on the conditions of the condensation) without turning on the power. The water droplets will evaporate and the unit will become playable. Condensation can occur in the summer as well if the unit is exposed to the direct wind from an air-conditioner, etc. If this happens, move the unit to a different location.

When transporting the unit to another location

Use the original packing materials to pack the unit. If the original packing materials are not available, be sure to perform the following.

- Detach the turntable sheet and turntable and pack carefully.

- Detach the headshell and balance weight from the arm and pack carefully.
- Use the arm clamper to secure the tone arm and use tape to secure it so that it does not move.
- Wrap the main unit in a blanket or soft paper so that it will not be damaged.

Maintenance of each part

When attaching and detaching the headshell, turn off the power of the amplifier.

If you attempt to do so while the volume is loud, the speaker could be damaged.

- Remove the shell with cartridge and use a soft tip brush or writing brush to carefully remove dust, etc. from the stylus tip.
- Use a good quality record cleaner to clean records.
- Use a soft cloth or something similar to clean the headshell terminal and then reattach it to the tone arm.

Cleaning the dust cover, etc.

Use a soft cloth to clean the dust cover and cabinet

- Do not clean the dust cover while playing. Static electricity could cause the tone arm to be pulled by the dust cover.

About trademarks and registered trademarks

- Pioneer DJ is a trademark of PIONEER CORPORATION and is used under license.

The names of companies and products mentioned herein are the trademarks of their respective owners.

Specifications

Power requirementsAC 110 V to 120 V or 220 V to 240 V, 50 Hz/60 Hz
Power consumption..... 9 W
Main unit weight14.6 kg (32.2 lb)
Max. dimensions.....453 mm (W) × 159 mm (H) × 353 mm (D)
(17.8 in. (W) × 6.3 in. (H) × 13.9 in. (D))
Tolerable operating temperature +5 °C to +35 °C (+41 °F to +95 °F)
Tolerable operating humidity 5 % to 85 % (no condensation)

Turntable part

Drive methodServo type direct drive
Motor3-phase brushless DC motor
Braking system Electronic brake
Rotation speed 33 1/3 rpm, 45 rpm
Rotation speed adjustment range ±8 %, ±16 %, ±50 %
Wow and flutter.....0.1 % or less WRMS (JIS WTD)
S/N ratio.....70 dB (DIN-B)
Turntable..... Aluminum die-casting Diameter: 332 mm
Starting torque 4.5 kg·cm or more
Start time0.3 seconds (at 33 1/3 rpm)

Tone arm part

Arm type Universal type S-shape tone arm,
gimbal-supported type bearing structure, static balance type
Effective length..... 230 mm
Overhang 15 mm
Tracking error..... Within 3°
Arm height adjustment range..... 6 mm
Stylus pressure variable range.....0 g to 4.0 g (1 scale 0.1 g)
Proper cartridge weight.....2.5 g to 12 g
* Cartridge weight includes the mounting screws and nuts.
When shell weight is used.....2.5 g to 5.5 g
When only balance weight is used 5 g to 9 g
When sub weight is used8.5 g to 12 g

— The specifications and design of this product are subject to change without notice.



AlphaTheta Music Americas, Inc.
LIMITED WARRANTY
WARRANTY VALID ONLY IN THE U.S.A. AND CANADA

ONE YEAR LIMITED WARRANTY

AlphaTheta Music Americas, Inc. (COMPANY) warrants that Pioneer DJ branded products distributed by COMPANY in the U.S.A. and Canada that fail to function properly under normal use and conditions due to a manufacturing defect when installed and operated according to the owner's manual enclosed with the unit, and any officially published guidelines such as technical specifications or service communications, will be repaired or replaced with a unit of comparable value, at the option of COMPANY, without charge to you for parts or actual repair work. Parts supplied under this warranty may be new or rebuilt at the option of COMPANY.

THIS WARRANTY IS VALID ONLY IN THE COUNTRY OF PURCHASE. THIS LIMITED WARRANTY APPLIES TO THE ORIGINAL OR ANY SUBSEQUENT OWNER OF THIS PIONEER DJ PRODUCT DURING THE WARRANTY PERIOD PROVIDED THE PRODUCT WAS PURCHASED FROM AN AUTHORIZED COMPANY DISTRIBUTOR/DEALER IN THE U.S.A. OR CANADA. YOU WILL BE REQUIRED TO PROVIDE A SALES RECEIPT OR OTHER VALID PROOF OF PURCHASE SHOWING THE DATE OF ORIGINAL PURCHASE OR, IF RENTED, YOUR RENTAL CONTRACT SHOWING THE PLACE AND DATE OF FIRST RENTAL. IN THE EVENT SERVICE IS REQUIRED, THE PRODUCT MUST BE DELIVERED WITHIN THE WARRANTY PERIOD, TRANSPORTATION PREPAID, ONLY FROM WITHIN THE U.S.A. OR CANADA, AS APPLICABLE. AS EXPLAINED IN THIS DOCUMENT. YOU WILL BE RESPONSIBLE FOR REMOVAL AND INSTALLATION OF THE PRODUCT. COMPANY WILL PAY TO RETURN THE REPAIRED OR REPLACEMENT PRODUCT TO YOU WITHIN THE U.S.A. OR CANADA, AS APPLICABLE.

PRODUCT WARRANTY PERIOD

	<u>Parts</u>	<u>Labor</u>
Audio and Video	1 Year	1 Year

The warranty period for retail customers who rent the product commences upon the date product is first put into use (a) during the rental period or (b) retail sale, whichever occurs first.

WHAT IS NOT COVERED

IF THIS PRODUCT WAS PURCHASED FROM AN UNAUTHORIZED DISTRIBUTOR, THERE ARE NO WARRANTIES, EXPRESS OR IMPLIED, INCLUDING THE IMPLIED WARRANTY OF MERCHANTABILITY AND THE IMPLIED WARRANTY OF FITNESS FOR A PARTICULAR PURPOSE AND THIS PRODUCT IS SOLD STRICTLY "AS IS" AND "WITH ALL FAULTS".

COMPANY SHALL NOT BE LIABLE FOR ANY CONSEQUENTIAL AND/OR INCIDENTAL DAMAGES, INCLUDING WITHOUT LIMITATION LOSS OF USE, LOSS OF PROFITS OR LOSS OF WAGES, TO THE GREATEST EXTENT ALLOWED BY APPLICABLE LAW.

THIS WARRANTY DOES NOT APPLY IF THE PRODUCT HAS BEEN SUBJECTED TO POWER IN EXCESS OF ITS PUBLISHED POWER RATING.

THIS WARRANTY DOES NOT COVER THE CABINET OR ANY APPEARANCE ITEM, USER ATTACHED ANTENNA, ANY DAMAGE TO RECORDS OR RECORDING TAPES OR DISCS, ANY DAMAGE TO THE PRODUCT RESULTING FROM ALTERATIONS, MODIFICATIONS NOT AUTHORIZED IN WRITING BY COMPANY, ACCIDENT, MISUSE OR ABUSE, DAMAGE DUE TO LIGHTNING OR TO POWER SURGES, SUBSEQUENT DAMAGE FROM LEAKING, DAMAGE FROM INOPERATIVE BATTERIES, OR THE USE OF BATTERIES NOT CONFORMING TO THOSE SPECIFIED IN THE OWNER'S MANUAL.

THIS WARRANTY DOES NOT COVER THE COST OF PARTS OR LABOR WHICH WOULD BE OTHERWISE PROVIDED WITHOUT CHARGE UNDER THIS WARRANTY OBTAINED FROM ANY SOURCE OTHER THAN A COMPANY AUTHORIZED SERVICE COMPANY OR OTHER DESIGNATED LOCATION. THIS WARRANTY DOES NOT COVER DEFECTS OR DAMAGE CAUSED BY THE USE OF UNAUTHORIZED PARTS OR LABOR OR FROM IMPROPER MAINTENANCE.

ALTERED, DEFACED, OR REMOVED SERIAL NUMBERS VOID THIS ENTIRE WARRANTY

THIS WARRANTY DOES NOT COVER DAMAGE CAUSED BY TAMPERING, ABUSE, OR NEGLIGENCE OF THE PRODUCT, OR BY PARTS NOT PROVIDED BY COMPANY. COMPANY AND ITS SERVICE AND REPAIR FACILITIES ARE NOT RESPONSIBLE FOR DAMAGE OR LOSS OF ELECTRONIC INFORMATION OR DATA STORED ON ANY RETURNED PRODUCT.

NO OTHER WARRANTIES

COMPANY LIMITS ITS OBLIGATIONS UNDER ANY IMPLIED WARRANTIES INCLUDING, BUT NOT LIMITED TO, THE IMPLIED WARRANTIES OF MERCHANTABILITY AND FITNESS FOR A PARTICULAR PURPOSE, TO A PERIOD NOT TO EXCEED THE WARRANTY PERIOD. NO WARRANTIES SHALL APPLY AFTER THE WARRANTY PERIOD. SOME STATES DO NOT ALLOW LIMITATIONS ON HOW LONG AN IMPLIED WARRANTY LASTS AND SOME STATES DO NOT ALLOW THE EXCLUSIONS OR LIMITATIONS OF INCIDENTAL OR CONSEQUENTIAL DAMAGES, SO THE ABOVE LIMITATIONS OR EXCLUSIONS MAY NOT APPLY TO YOU. THIS WARRANTY GIVES YOU SPECIFIC LEGAL RIGHTS AND YOU MAY HAVE OTHER RIGHTS WHICH MAY VARY FROM STATE TO STATE.

NO DEALER, DISTRIBUTOR, OR EMPLOYEE OF COMPANY IS AUTHORIZED TO MAKE ANY MODIFICATION, EXTENSION, OR MODIFICATION OF THIS WARRANTY.

If any term of this warranty is held to be illegal or unenforceable, the legality or enforceability of the remaining terms shall not be affected or impaired.

TO OBTAIN SERVICE

COMPANY has appointed a number of Authorized Service Companies throughout the U.S.A. and Canada should your product require service. To receive warranty service you need to present your sales receipt or, if rented, your rental contract showing place and date of original owner's transaction. If shipping the unit you will need to package it carefully and send it, transportation prepaid by a traceable, insured method, to an Authorized Service Company. Package the product using adequate padding material to prevent damage in transit. The original container is ideal for this purpose. Include your name, address and telephone number where you can be reached during business hours.

On all complaints and concerns in the U.S.A. and Canada call Customer Support at 1-844-784-0000.

For hook-up and operation of your unit or to locate an Authorized Service Company, please call or visit:

AlphaTheta Music Americas, Inc.
1-844-784-0000
pioneerdj.com

DISPUTE RESOLUTION

Following our response to any initial request to Customer Support, should a dispute arise between you and COMPANY, COMPANY makes available its Complaint Resolution Program to resolve the dispute. The Complaint Resolution Program is available to you without charge. You are required to use the Complaint Resolution Program before you exercise any rights under, or seek any remedies, created by Title I of the Magnuson-Moss Warranty-Federal Trade Commission Improvement Act, 15 U.S.C. 2301 *et seq.*

To use the Complaint Resolution Program call 1-844-784-0000 and explain to the customer service representative the problem you are experiencing, steps you have taken to have the product repaired during the warranty period and the name of the authorized Distributor/Dealer from whom the Pioneer DJ branded product was purchased. After the complaint has been explained to the representative, a resolution number will be issued. Within 40 days of receiving your complaint, COMPANY will investigate the dispute and will either: (1) respond to your complaint in writing informing you what action COMPANY will take, and in what time period, to resolve the dispute; or (2) respond to your complaint in writing informing you why it will not take any action.

RECORD THE PLACE AND DATE OF PURCHASE FOR FUTURE REFERENCE

Model No. _____ Serial No. _____ Purchase Date _____

Purchased From _____

KEEP THIS INFORMATION AND YOUR SALES RECEIPT IN A SAFE PLACE

UCP1119

© 2020 AlphaTheta Corporation. All rights reserved.

AlphaTheta Corporation

6F, Yokohama i-Mark Place, 4-4-5 Minatomirai, Nishi-ku, Yokohama, Kanagawa 220-0012 JAPAN / JAPON

AlphaTheta株式会社

〒220-0012 神奈川県横浜市西区みなとみらい4丁目4番5号 横浜アイマークプレイス6階

Printed in China

<DRB1694-F>
<502-PX1000A-3365E>