

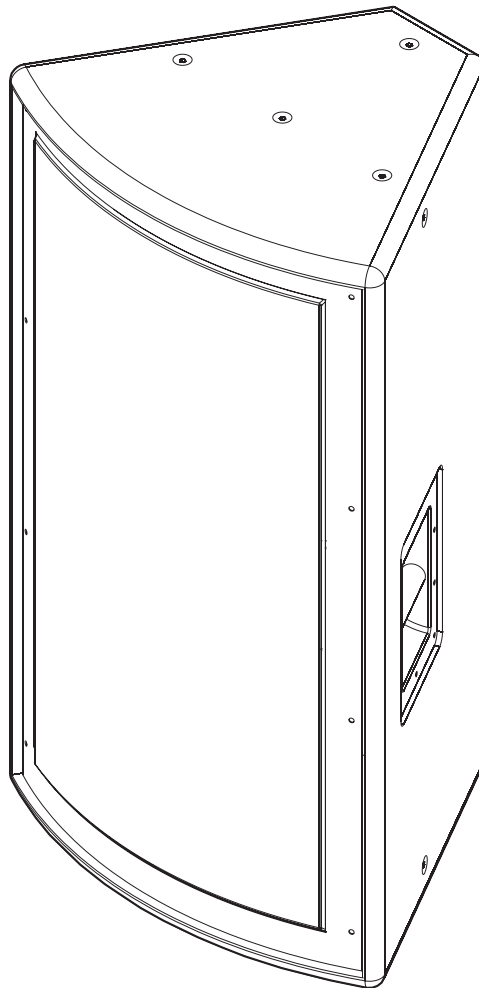


1675 MacArthur Blvd., Costa Mesa, CA, 92626 USA
Main Number (714) 754-6175 or toll free (USA only) (800) 854-4079
Customer Service(714) 957-7150 or toll free (USA only) (800) 772-2834

MD Series Powered Loudspeaker Products

User Manual

| | | |
|----------------------|-----------------|------------------|
| MD-FP122/64r | 60° x 40° (HxV) | 12-inch, two-way |
| MD-FP122/66 | 60° x 60° | 12-inch, two-way |
| MD-FP122/94r | 90° x 40° | 12-inch, two-way |
| MD-FP122/96r | 90° x 60° | 12-inch, two-way |
| MD-FP122/124r | 120° x 40° | 12-inch, two-way |
| MD-FP152/64r | 60° x 40° | 15-inch, two-way |
| MD-FP152/66 | 60° x 60° | 15-inch, two-way |
| MD-FP152/94r | 90° x 40° | 15-inch, two-way |
| MD-FP152/96r | 90° x 60° | 15-inch, two-way |
| MD-FP152/124r | 120° x 40° | 15-inch, two-way |



TD-000186-00-D

Important Safety Precautions & Explanation of Symbols

Install in accordance with QSC Audio Product's instructions and under the supervision of a licensed Professional Engineer.



CAUTION: TO REDUCE THE RISK OF ELECTRIC SHOCK, DO NOT REMOVE THE COVER. NO USER-SERVICEABLE PARTS INSIDE. REFER SERVICING TO QUALIFIED PERSONNEL.



The lightning flash with arrowhead symbol within an equilateral triangle is intended to alert the user to the presence of uninsulated "dangerous" voltage within the product's enclosure that may be of sufficient magnitude to constitute a risk of electric shock to humans.



The exclamation point within an equilateral triangle is intended to alert the user to the presence of important operating and maintenance (servicing) instructions in this manual.

- 1- Read these instructions.
- 2- Keep these instructions.
- 3- Heed all warnings.
- 4- Follow all instructions.
- 5- **WARNING:** To prevent fire or electric shock, do not expose this equipment to rain or moisture. Do not use this apparatus near water.
- 6- Clean only with a dry cloth.
- 7- Allow a minimum of 4" (100mm) clearance at cabinet back for convection cooling. Keep anything that might restrict airflow away from the rear of the enclosure (i.e draperies, fabric, etc...). Do not block any ventilation openings. This product contains an internal power amplifier that produces heat.
- 8- Do not install near any heat sources such as radiators, heat registers, stoves, or other apparatus (including amplifiers) that produce heat.
- 9- Do not defeat the safety purpose of the polarized or grounding-type plug. A polarized plug has two blades with one wider than the other. A grounding plug has two blades and a grounding prong. The wide blade or third prong are provided for your safety. If the provided plug does not fit your outlet, consult an electrician for the replacement of the obsolete outlet.
- 10- Protect the power cord from being walked on or pinched, particularly plugs, convenience receptacles, and the point where they exit from the apparatus.
- 11- Use only attachments/accessories specified by QSC Audio Products, Inc.
- 12- Use only with hardware, brackets, stands, and components sold with the apparatus or by QSC Audio Products, Inc.
- 13- Unplug the apparatus during lightning storms or when unused for long periods of time.
- 14- Refer all servicing to qualified service personnel. Servicing is required when the apparatus has been damaged in any way, such as power supply cord or plug is damaged, liquid has been spilled or objects have fallen into the apparatus, the apparatus has been exposed to rain or moisture, does not operate normally, or has been dropped.
- 15- Before placing, installing, rigging, or suspending any speaker product, inspect all hardware, suspension, cabinets, transducers, brackets and associated equipment for damage. Any missing, corroded, deformed, or non-load rated component could significantly reduce the strength of the installation, placement or array. Any such condition severely reduces the safety of the installation and should be immediately corrected. Use only hardware which is rated for the loading conditions of the installation and any possible short-term, unexpected overloading. Never exceed the rating of the hardware or equipment.
- 16- Consult a licensed, Professional Engineer regarding physical equipment installation. Ensure that all local, state and national regulations regarding the safety and operation of flying equipment are understood and adhered to.

FCC Interference Statement

NOTE: This equipment has been tested and found to comply with the limits for a class B digital device, pursuant to part 15 of the FCC rules. These limits are designed to provide reasonable protection against harmful interference in a residential installation. This equipment generates, uses, and can radiate radio frequency energy and if not installed and used in accordance to the instructions, may cause harmful interference to radio communications. However, there is no guarantee that interference will not occur in a particular installation. If this equipment does cause harmful interference to radio or television reception, which can be determined by switching the equipment off and on, the user is encouraged to try to correct the interference by one or more of the following measures:

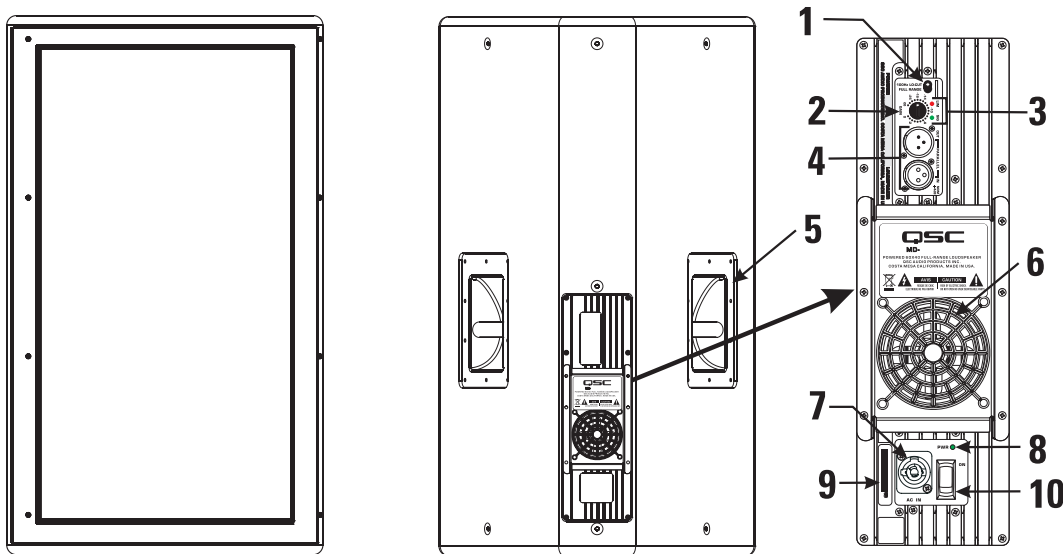
- Reorient or relocate the receiving antenna.
- Increase the separation between the equipment and the receiver.
- Connect the equipment into an outlet on a circuit different from that to which the receiver is connected.
- Consult the dealer or an experienced radio or TV technician for help.

Introduction

Congratulations and thank you for your purchase of this professional, powered loudspeaker product. To get the most from your investment, we recommend you review all the information provided in this User Manual.

The Modular Design (or "MD") self-powered loudspeakers provide excellent sound quality, quality construction, energy-efficient and clean power amplification on-board, and a multitude of models with common cabinet design making installation easier. Its self-contained installation solution, optimized equalization and crossover, rotatable high frequency horn, 15 attachment points, and minimal weight increase over non-powered versions enable the powered MD series to solve more application challenges than competing designs. Available in black or white, they are the perfect solution for house-of-worship, performing arts center, and arena applications that demand flexible and excellent-sounding system solutions.

All models are self-powered, using highly efficient class-D amplifiers and high-frequency switch-mode power supplies. AC line connection is fast and easy; a locking, quick-disconnect Neutrik PowerCon ensures reliable AC mains connection while providing an easy-to-remove power cord for cabinet mobility. Audio is input to the self-powered loudspeaker via an XLR connector with an additional XLR output for daisy-chaining. Handles are provided on black-colored enclosures, while white-colored enclosures are not equipped with handles. Features vary by model, so please refer to sales brochures for specific model information.



- 1- Filter Switch
- 2- Gain Adjuster
- 3- Signal and Clip Indicator LEDs
- 4- Input and Output XLR connectors
- 5- Handles, only on black enclosures

- 6- Cooling Fan
- 7- AC Mains Entrance (PowerCon Receptacle)
- 8- Power ON LED Indicator
- 9- Serial Number Plate
- 10- Power Switch (AC Mains Switch)



NOTE! Handles are provided on black-colored enclosures only! White-colored enclosures are not equipped with handles.

Installation

There are fifteen (15) load-rated pick points on the MD enclosure; four each on the top and on the bottom, two each on the sides, and three on the rear of the enclosure. As shipped from the factory, each pick point has a strength rated flat head bolt installed. These bolts are load bearing components of the enclosure. Do not remove these bolts except to replace a bolt with a forged-shoulder eye bolt. If a flat head screw is lost, contact QSC's Technical Services department for a replacement.



Ensure all pick-point fasteners are installed and correctly tightened in order to maintain enclosure's rated strength. Additionally, air leaks resulting from missing hardware will degrade the loudspeaker's performance.

Use only 3/8-inch, 16 threads per inch forged shoulder eye bolts, QSC part number SR-000096-00. Contact QSC Technical Services department for complete information.

Before placing, installing, rigging, or suspending any speaker product, inspect all hardware, suspension, cabinets, transducers, brackets and associated equipment for damage. Any missing, corroded, deformed, or non-load rated component could significantly reduce the strength of the installation, placement or array. Any such condition severely reduces the safety of the installation and should be immediately corrected. Use only hardware which is rated for the loading conditions of the installation and any possible short-term, unexpected overloading. Never exceed the rating of the hardware or equipment.

Consult a licensed, Professional Engineer regarding physical equipment installation. Ensure that all local, state and national regulations regarding the safety and operation of flying equipment are understood and adhered to.

Installation (continued)

Cooling

This product's internal power amplifier produces some heat as a normal condition of operation. Allow a minimum of 4" (100mm) clearance at cabinet back for adequate ventilation, and avoid exposing to hot lights or direct sunlight. For ambient temperatures below 104°F (40°C) the fan will normally remain off. Between 104°F (40°C) and 122° (50°F) the fan will run for increasing periods of time. Above 130°F (55°C) the internal overheating protection will begin to operate. The unit will reduce its gain, and possibly mute. If the fan appears to be running constantly, try to reduce the ambient temperature to ensure full performance.

Keep anything that might restrict airflow away from the rear of the enclosure (i.e draperies, fabric, etc...).



Do not install enclosures with their rear panels exposed to direct sunlight. Direct sunlight will heat the amplifier module and reduce its ability to produce full output. Install sunshades if the application merits.

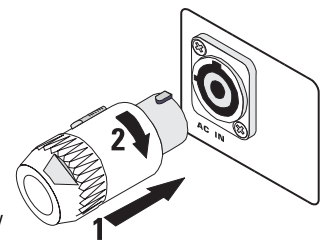
Maximum ambient temperature for full performance to specification is 45° C. (113° F).

Do not install enclosures where exposed to rain or other water sources. The enclosure is not weatherproof. Outdoor installations must provide protection from the elements.

AC Mains

AC Mains Connection

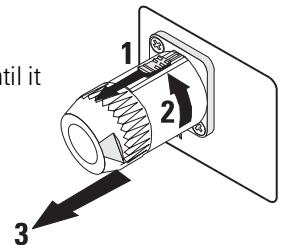
Orient the PowerCon connector with the PowerCon socket located on the rear panel of the loudspeaker. It is keyed and will only fit into the socket when aligned properly. Insert the connector fully and rotate clockwise until the locking mechanism engages.



The correct AC line voltage is shown on the serial number label, on the rear panel. Connecting to the wrong line voltage may damage the amplifier or increase the risk of electric shock.

AC Mains Disconnection

To remove the connector, pull back on the metal locking tab and turn the connector counterclockwise until it stops, then pull to remove the connector from the socket.



Power Switch

Push in on the top of the rocker switch to apply AC mains power to the powered loudspeaker. Push in on the bottom of the rocker switch to turn the powered loudspeaker off.

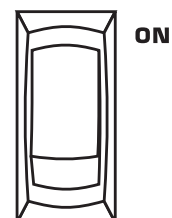
When turned on, the blue Power indicator LED and the red LIM (limiter) indicator LED will illuminate; after a few seconds the red LIM indicator will extinguish.

PWR ●

LED Power Indicator

The blue LED Power indicator will illuminate when the AC Power switch is in the "ON" position, the AC mains power cord is connected properly, and the AC mains are functioning properly. The LED Power indicator will extinguish when the AC Power switch is in the "off" position or AC mains power has been removed from the loudspeaker.

If the Power indicator does not illuminate when the Power switch is placed in the "on" position, verify the AC mains line cord is properly attached to the loudspeaker and plugged into the AC outlet. Verify the outlet is functioning properly.



If the AC mains cordset is serviceable and the AC mains outlet is operating properly, but the loudspeaker fails to operate, the loudspeaker may require servicing. Contact QSC's Technical Services department.

Input/Output Connections

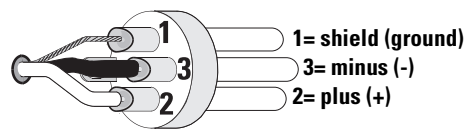
The active MD has a balanced 3-pin female XLR input marked IN and a male XLR output connector marked OUT. These connectors are wired in parallel, enabling connection of multiple enclosures in a "daisy-chain" fashion.

Balanced connections are recommended for less AC hum and interference, especially with long cable runs. Unbalanced connections may be suitable for short cables. The signal's source impedance should be less than 600 ohms.

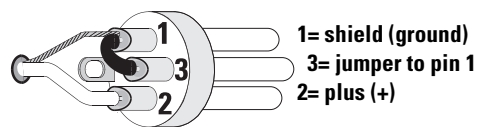
Input connection

Insert the male XLR input into the jack marked IN. Ensure the connector is fully seated. The input impedance is 12k ohm balanced or 6k ohm unbalanced.

Balanced inputs: Connect to the plug as shown.



Unbalanced inputs: Connect to the plug as shown. Pin 3 and pin 1 must be connected with a jumper as shown.



Output Connection

Insert the female XLR connector into the jack marked OUT. Connect the other end of the cable to the next down-stream audio device's input connector.

Gain Control

The Gain control is recessed and can be adjusted with a small screwdriver or flat tool. Turn the gain control clockwise to increase gain and counter clockwise to decrease gain. The attenuation in dB (from maximum) is shown on the label.

The Gain control is marked in dB of attenuation. There are 21 detents for repeatable adjustments. The upper 14 steps are about 1 dB each, and settings should normally be made within this range. The range below -14 dB should not be used for normal program levels, as the input headroom could be exceeded, but can be used for testing at reduced levels. At the minimum setting, the signal is completely cut off.

Filter Select Switch

Above the Gain control is a small toggle switch that selects either Full Range operation or applies a 100 Hz Lo-Cut filter to the system.

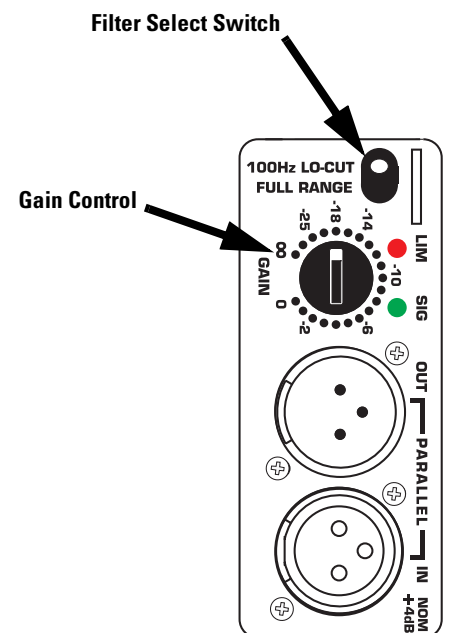
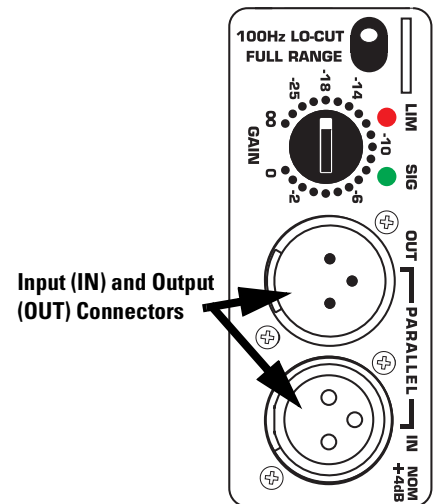
Full Range Setting

Use the Full Range setting for applications without subwoofers or dedicated low-frequency enclosures.

100 Hz Lo-Cut Setting

Use the 100 Hz Lo-Cut setting for applications with optional subwoofers or low-frequency systems.

The two-way wedge will have its low-frequency content below 100 Hz filtered at 24dB per octave, yielding less distortion at low frequencies and provide improved clarity in the mid-frequencies.



SIG (Signal) Indicator LED

The green SIG (signal) indicator alerts the user to the presence of an input signal to the MD loudspeaker.

Normal Indication

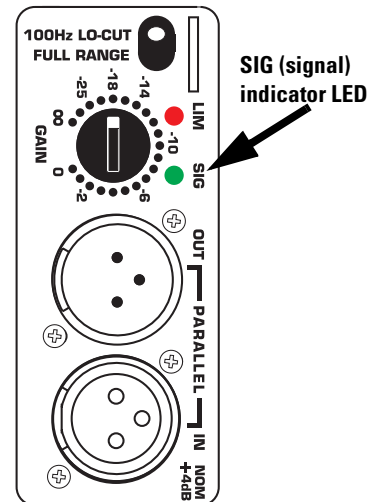
The green SIG indicator illuminates when the input signal exceeds -25 dB.

If No Indication

Check Gain settings and increase gain if necessary. Check input connections and audio source for signal. If the red LIM LED illuminates, refer to the LIM indicator section, below.

Abnormal Indication

If the green SIG LED illuminates with no signal input, there may be system oscillations or some other malfunction. Disconnect the input or fully reduce the gain. If the green SIG LED remains on, the amp may need servicing.



LIM (Limiter) Indicator LED

The red LIM indicator alerts the user to several abnormal conditions within the MD loudspeaker:

Continuous Bright Red Light

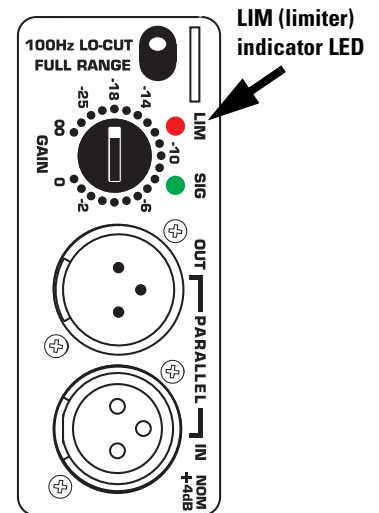
- Indicates protective mute mode.
- The speaker normally passes through muting for several seconds after applying power, after which the light should go out, and sound should be heard.
- If the speaker enters Mute during operation, it has either overheated or developed a fault.
- Overheating should correct itself within 1-2 minutes, after which sound should resume. See below for a full explanation of thermal protection.
- Short periods of muting indicate a component fault. In this case AC power should be removed and the speaker serviced.

Momentary Bright Red Flashes

- During operation, bright flashing indicates clipping (overdrive distortion).
- This is normally due to excessive volume, and will likely be accompanied by audible distortion.
- If the speaker mutes repeatedly during peaks, there may be a component fault. AC power should be removed and the speaker serviced.

Continuous Half-bright Light

- Indicates that the internal limiter is reducing gain, due to prolonged clipping and/or excessive temperature.
- After several seconds of severe clipping, the limiter will reduce power to protect the speaker and improve the sound. This results in a steady, half-bright red indication. Any further clipping will still result in bright flashes on top of the steady half-bright indication. When the program level is reduced, the limiter will clear after several seconds, and the red indicator will go out.
- If the power module overheats, the first response is to trigger limiting, to reduce volume and limit further temperature rise. This results in a steady half-bright illumination that does not clear even after reducing program level. It may take several minutes for temperature to drop and clear the limiter. During this time, the exposed heat sink will feel uncomfortably hot to the touch. If overheating continues, the amplifier will ultimately mute, resulting in a full-bright red indication. When muting clears, the amplifier will resume operation, with thermal limiting still active until it further cools off.
- Overheating is usually caused by excessive ambient temperature, since the internal temperature rise of the Class-D power module is relatively low. Protect the speaker from excessive temperatures, such as being placed over a heater vent, or allowing direct sunlight to impinge upon the heat sink surface.



Location of Pick Points

There are fifteen (15) load-rated pick points on the MD enclosure; four each on the top and on the bottom, two each on the sides, and three on the rear of the enclosure. These pick points are indicated with arrowheads on the illustration. Note the pick points on the cabinet bottom are not shown, but are identical to those indicated on the cabinet top.

As shipped from the factory, each pick point has a strength rated flat head bolt installed. These bolts are load bearing components of the enclosure. Do not remove these bolts except to replace a bolt with a forged-shoulder eye bolt. If a flat head screw is lost, contact QSC's Technical Services department for a replacement.

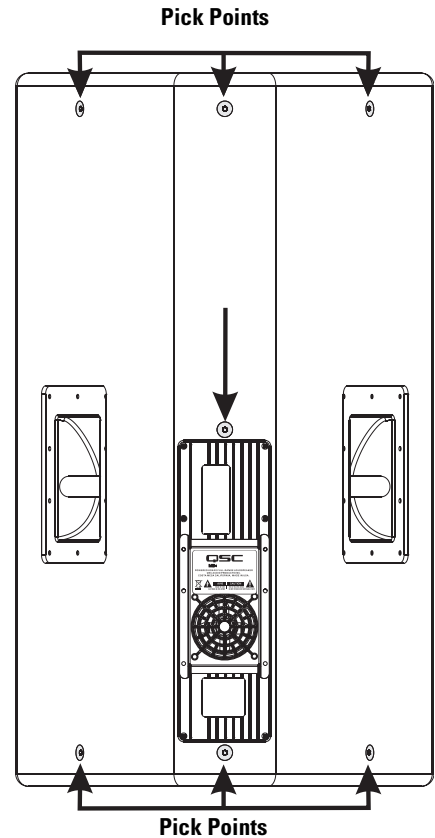


Ensure all pick-point fasteners are installed and correctly tightened in order to maintain enclosure's rated strength. Additionally, air leaks resulting from missing hardware will degrade the loudspeaker's performance.

Use only 3/8-inch, 16 threads per inch forged shoulder eye bolts, QSC part number SR-000096-00. Contact QSC Technical Services department for complete information.

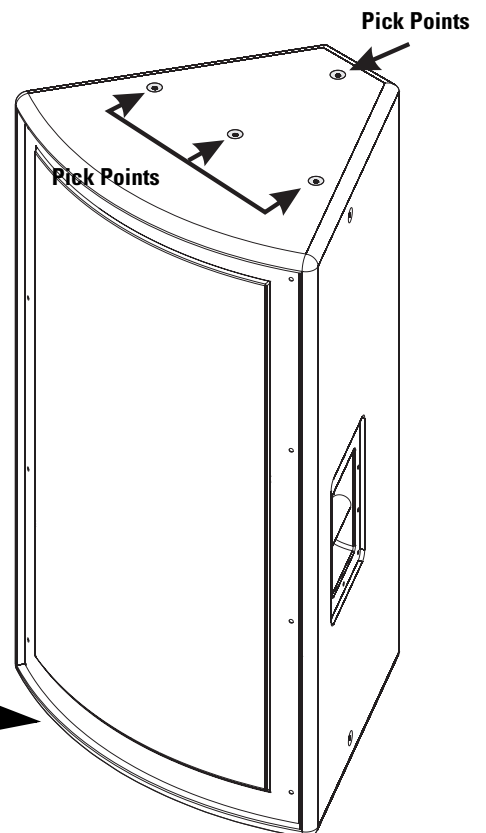
Before placing, installing, rigging, or suspending any speaker product, inspect all hardware, suspension, cabinets, transducers, brackets and associated equipment for damage. Any missing, corroded, deformed, or non-load rated component could significantly reduce the strength of the installation, placement or array. Any such condition severely reduces the safety of the installation and should be immediately corrected. Use only hardware which is rated for the loading conditions of the installation and any possible short-term, unexpected overloading. Never exceed the rating of the hardware or equipment.

Consult a licensed, Professional Engineer regarding physical equipment installation. Ensure that all local, state and national regulations regarding the safety and operation of flying equipment are understood and adhered to.



4 additional Pick Points located on enclosure bottom.

NOTE! Handles are provided on black-colored enclosures only! White-colored enclosures are not equipped with handles.



Rigging the Installation (continued)

Rigging the Installation

Rules for Suspension

- Correct use of all suspension hardware and components is imperative in sound system rigging and deployment.
- Always calculate suspended loads before lifting to ensure suspension components and hardware are used within their respective load limits.
- Research local codes and regulations to fully understand the requirements for suspended loads in the venue in which the equipment is to be suspended.
- Use only shackle holes for suspension of array.
- Be absolutely certain of the integrity of any structural member intended to support suspended loads. Hidden structural members can have hidden structural weakness.
- Consult a Professional Mechanical or Structural Engineer licensed in the jurisdiction of the sound system installation to review, verify, and approve all attachments to the building or structure.
- Never assume anything- Owner or third-party supplied suspension attachment points may not be adequate for the loads to be suspended.
- Employ the services of a Professional Rigger for hoisting, positioning, and attaching the equipment to the supporting structure.
- Always inspect all components (enclosures, suspension brackets, pins, frames, bolts, nuts, slings, shackles, etc.) for cracks, wear, deformation, corrosion, missing, loose, or damaged parts that could reduce the strength of the assembly before lifting. Discard any worn, defective, or suspect parts and replace them with new appropriately load-rated parts.

Shock Loading

When a load is either moved or stopped, its static weight is magnified. Sudden movements can magnify the static weight several times. This magnification of static weight is termed "shock loading". Shock loading poses a danger to equipment and workers. The effects of shock loading can be instantaneous, or they may remain undetected unless the equipment is visually damaged. Avoiding shock loading requires careful planning and knowledge of equipment, rigging, and lifting practices.

Shock loading of equipment and structures is usually confined to lifting and installation, but natural forces (winds, earthquakes) can impose shock loads several times the static load. This is why structures and suspension equipment must be capable of supporting several times the weight of the equipment suspended.

MD Working Load Limits and Design Factors

Table 1 lists the MD suspension components and provides Working Load Limit data at various Design Factors. The tabulated Design Factors are for static loads only. The choice of which Design Factor to use will depend upon the jurisdiction and venue of installation, as well as the conditions of suspension. Dynamic conditions are determined by unknown, installation-specific factors and should be referred to a Licensed Structural Engineer for clarification before proceeding with any suspension of the equipment. The data presented is based upon the listed component weights:

Table 1: MD Working Load Limits

| Suspension Points | 7:1 Design Factor | 10:1 Design Factor | 12:1 Design Factor |
|--------------------------|--------------------------|---------------------------|---------------------------|
| Top & Side Panels | 457 lb (207 kg) | 320 lb (145 kg) | 267 lb (121 kg) |
| Rear Panels | 314 lb (143 kg) | 220 lb (100 kg) | 183 lb (83 kg) |

Horn Rotation

The coverage angles for each model, as shipped from the factory, are shown in the specifications section. If desired the high-frequency driver/horn assembly can be rotated 90° in order to change the coverage angle planes.

Example: An MD-FP122/64r as shipped from the factory has a nominal coverage of 60° in the horizontal plane and 40° in the vertical plane when the enclosure is oriented normally (vertically, as shown at the right). To change the coverage to 40° in the horizontal plane and 60° in the vertical plane, the high-frequency driver/horn assembly would have to be removed, rotated 90°, and reinstalled.

How to Rotate the Horn

Note! It is always best to have an assistant when working with large assemblies such as this enclosure. The grill assembly is under tension when installed! Be sure to temporarily secure the grill with tape or have an assistant hold the grill edge while removing its retaining screws.

1- Remove the four screws from one side of the grill while having an assistant hold the grill from springing free. Remove the four screws from the other side of the grill. Place the grill and retaining screws aside.

2- Remove the eight horn retaining screws. Carefully lift the horn from its mounting recess while being careful not to tear or pull away the foam gasket between the horn and enclosure.

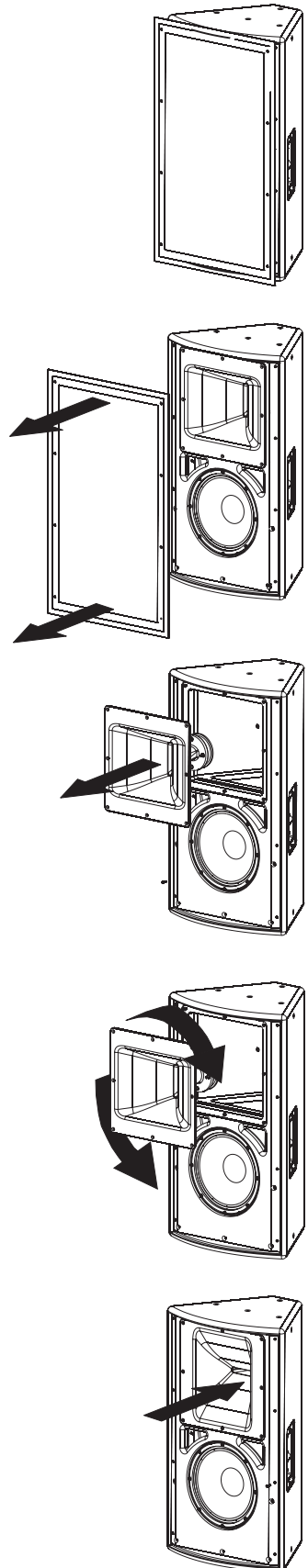
3- Rotate the horn to the desired position and set back into its mounting recess, being sure the gasket is properly positioned.

4- Install the eight horn retaining screws. Do not fully tighten the screws until all have been installed and finger-tightened. This will help to prevent the chance of cracking the horn. Fully tighten the retaining screws.

5- Position and align the grill assembly for reinstallation. Install four retaining screws on one side; do not fully tighten. Carefully bend the grill around the front of the enclosure and install the remaining four retaining screws. It is easier to have an assistant hold the grill in place while installing the final four screws.

Grill retaining screws are to be torqued to 30-35 pound inch (0.35 -0.40 kilogram meter)

Horn assembly retaining screws are to be torqued to 40 pound inch (0.46 kilogram meter)



| <u>Specifications</u> | <u>MD-FP122/64r</u> | <u>MD-FP122/66</u> | <u>MD-FP122/94</u> | <u>MD-FP122/96r</u> | <u>MD-FP122/124r</u> |
|---|--|----------------------------------|----------------------------------|----------------------------------|----------------------------------|
| Frequency Response, -6dB | 55 Hz - 17.5 kHz | 55 Hz - 17.5 kHz | 55 Hz - 19.5 kHz | 55 Hz - 16.5 kHz | 55 Hz - 19 kHz |
| Frequency Range, -10dB | 50 Hz - 18 kHz | 50 Hz - 19.5 kHz | 50 Hz - 20 kHz | 50 Hz - 19.5 kHz | 50 Hz - 20 kHz |
| Maximum Output | 129 dB continuous 139 dB peak | 127 dB continuous 137 dB peak | 128 dB continuous 138 dB peak | 127 dB continuous 135 dB peak | 126 dB continuous 137 dB peak |
| Nominal coverage, H x V (as installed at factory) | 60°x40° rotatable | 60°x60° | 90°x40° rotatable | 90°x60° rotatable | 120°x40° rotatable |
| Directivity Index | 12.8 | 11.7 | 11.3 | 10.2 | 9.6 |
| Directivity Factor | 19.0 | 14.7 | 13.4 | 10.5 | 9.1 |
| Acoustic Crossover Freq. | 1.4k Hz | 1.2k Hz | 1.4k Hz | 1.2k Hz | 1.2k Hz |
| Transducer Description | LF: 12" (305mm) diameter, 4" (102mm) voice coil, ferrite magnet HF: 1.4" (36mm) exit diameter, 2.5" (64mm) voice coil, neodymium magnet, all models | | | | |
| Amp Power | LF: 800W, HF: 200W, all models | | | | |
| Input Sensitivity | 1.2V _{rms} (+4 dBu), all models | | | | |
| Input Headroom/Clipping | 7.5V _{rms} (+19.5 dBu), all models | | | | |
| Input Connector/Impedance | XLR female, 20k ohm, balanced, all models (pin 1:Earth, Pin 2: +, Pin 3: -) | | | | |
| Output Connector | XLR male, wired in parallel with Input connector | | | | |
| Controls, Indicators, and Adjustments | Rotatable horn assembly, Gain control, 100 Hz high-pass filter switch, Clip/Limit (red LED), Signal presence (green LED), AC Power (blue LED), all models | | | | |
| Protection, Agency certs. | Thermal limiting, On/Off muting, AC in-rush current limiting, FCC class B (conducted and radiated), UL/CE listed | | | | |
| Operating Voltages | Available in 120V or 230V versions (+15%, -40%) | | | | |
| AC Power Requirements | Pink noise (6 dB crest factor) - Idle <0.5 A (<100 BTU waste heat) / 1/8 power 2.5 A (570 BTU waste heat) / 1/3 power 5.0 A (1380 BTU waste heat), full power 15.0 A (4010 BTU waste heat) Typical program material at full power- 2.5 A (570 BTU waste heat) | | | | |
| AC Power Connector | Factory supplied cordset: Neutrik Powercon on 10' (3m) #18AWG 120V North American cordset | | | | |
| Dimensions | 20.5" (521mm) W, 35.0" (889mm) H, 17.1" (432mm) D, including rear heatsink fins Allow for 100mm (4.0") of free space behind the enclosure to assure proper amplifier cooling | | | | |
| Weight | 88 lb/40 kg, all models | | | | |
| Finish and Grill | All models- wear resistant textured paint finish with powder-coated perforated steel grill | | | | |

Notes:

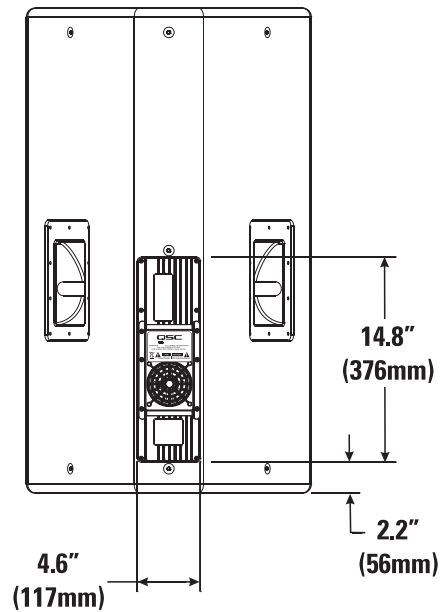
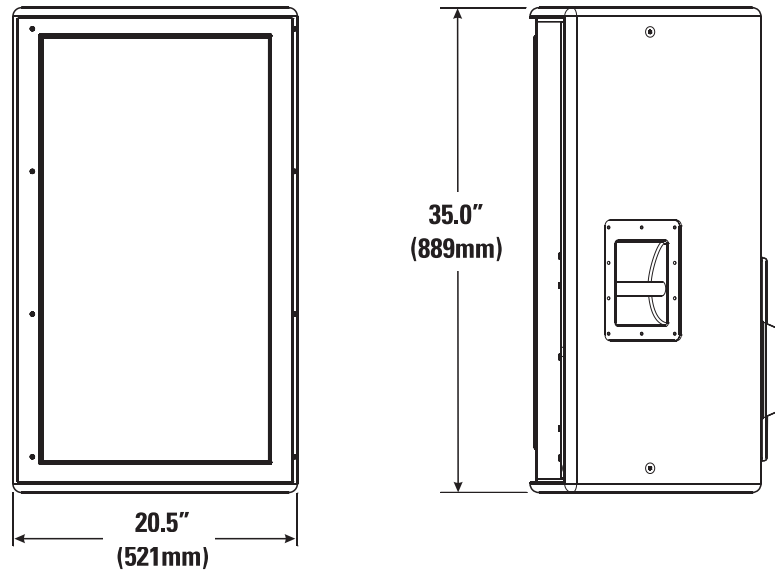
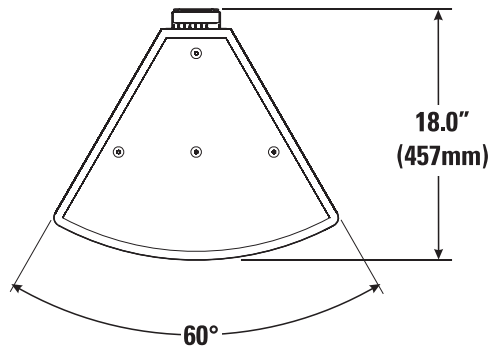
- 1- Maximum Peak SPL: Calculated by adding the loudspeaker's sensitivity (1W at 1m) to the peak power (dBw) of the amplifier provided.
- 2- Coverage: Included angle between -6dB points, plus X, minus Y dB, 500 to 3.2k Hz, taken at ISO preferred one-third octave intervals, or for an otherwise specified frequency range.
- 3- Directivity Index (DI): Difference between on-axis SPL and average SPL (considering all axes) for the specified coverage range. DI= 10 log Q
- 4- Directivity Factor (Q): Directivity index expressed as a power ratio Q=10 exp DI/10
- 5- Amplifier Power: The maximum sustained power at less than 1% clipping, averaged over the intended frequency range.
- 6- Input Sensitivity: The sine-wave input voltage required to reach amplifier clipping, measured within the frequency range used to determine Maximum Peak SPL, with the gain on "normal" and no gain reduction due to limiting.
- 7- Input Headroom/Clipping: Maximum input voltage.
- 8- Input Connector/Impedance: RF shunt capacitance should not reduce impedance by more than 30% at 20k Hz.
- 9- TBD= to be determined, data not available at time of printing

| Specifications | MD-FP152/64r | MD-FP152/66 | MD-FP152/94r | MD-FP152/96r | MD-FP152/124r |
|---|--|----------------------------------|----------------------------------|----------------------------------|----------------------------------|
| Frequency Response, -6dB | 50-17.5k Hz | 50-19.5k Hz | 50-19.5k Hz | 50-19k Hz | 50-19k Hz |
| Frequency Range, -10dB | 45-18k Hz | 45-20k Hz | 45-20k Hz | 45-20k Hz | 50-19k Hz |
| Maximum Output | 129 dB continuous 139 dB peak | 127 dB continuous 138 dB peak | 128 dB continuous 138 dB peak | 126 dB continuous 136 dB peak | 127 dB continuous 137 dB peak |
| Nominal coverage, H x V (as installed at factory) | 60°x40° rotatable | 60°x60° | 90°x40° rotatable | 90°x60° rotatable | 120°x40° rotatable |
| Directivity Index | 12.8 | 11.7 | 11.3 | 10.2 | 9.6 |
| Directivity Factor | 19.0 | 14.7 | 13.4 | 10.5 | 9.1 |
| Acoustic Crossover Freq. | 1.32k Hz | 1.2k Hz | 1.4k Hz | 1.2k Hz | 1.2k Hz |
| Transducer Description | LF: 15" (381mm) diameter, 4" (102mm) voice coil, ferrite magnet HF: 1.4" (36mm) exit diameter, 2.5" (64mm) voice coil, neodymium magnet, all models | | | | |
| Amp Power | LF: 800W, HF: 200W, all models | | | | |
| Input Sensitivity | 1.2V _{rms} (+4dB), all models | | | | |
| Input Headroom/Clipping | 7.5V _{rms} (+19.5dB), all models | | | | |
| Input Connector/Impedance | XLR female, 20k ohm, balanced, all models | | | | |
| Output Connector | XLR male, wired in parallel with Input connector | | | | |
| Controls, Indicators, and Adjustments | Rotatable horn assembly, Gain control, 100 Hz high-pass filter switch, Clip/Limit (red LED), Signal presence (green LED), Power (blue LED), all models | | | | |
| Protection, Agency certs. | Thermal limiting, On/Off muting, AC in-rush current limiting, FCC class B (conducted and radiated emissions), UL/CE listed | | | | |
| Operating Voltages | Available in 120V or 230V versions (+15%, -40%) | | | | |
| AC Power Requirements | Pink noise (6 dB crest factor) - Idle <0.5 A (<100 BTU waste heat) / 1/8 power 2.5 A (570 BTU waste heat) / 1/3 power 5.0 A (1380 BTU waste heat), full power 15.0 A (4010 BTU waste heat) Typical program material at full power- 2.5 A (570 BTU waste heat) | | | | |
| AC Power Connector | Factory supplied cordset: Neutrik Powercon on 10' (3m) #18AWG 120V North American cordset | | | | |
| Dimensions | 20.5" (521mm) W, 35.0" (889mm) H, 17.1" (432mm) D, including rear heatsink fins Allow for 100mm (4.0") of free space behind the enclosure to assure proper amplifier cooling | | | | |
| Weight | 88 lb/41 kg All Models | | | | |
| Finish and Grill | All models- wear resistant textured paint finish with powder-coated perforated steel grill | | | | |

Notes:

- 1- Maximum Peak SPL: Calculated by adding the loudspeaker's sensitivity (1W at 1m) to the peak power (dBw) of the amplifier provided.
- 2- Coverage: Included angle between -6dB points, plus X, minus Y dB, 500 to 3.2k Hz, taken at ISO preferred one-third octave intervals, or for an otherwise specified frequency range.
- 3- Directivity Index (DI): Difference between on-axis SPL and average SPL (considering all axes) for the specified coverage range. DI= 10 log Q
- 4- Directivity Factor (Q): Directivity index expressed as a power ratio Q=10 exp DI/10
- 5- Amplifier Power: The maximum sustained power at less than 1% clipping, averaged over the intended frequency range,
- 6- Input Sensitivity: The sine-wave input voltage required to reach amplifier clipping, measured within the frequency range used to determine Maximum Peak SPL, with the gain on "normal" and no gain reduction due to limiting.
- 7- Input Headroom/Clipping: Maximum input voltage.
- 8- Input Connector/Impedance: RF shunt capacitance should not reduce impedance by more than 30% at 20k Hz.
- 9- TBD= to be determined, data not available at time of printing

Dimensions



NOTE! Handles are provided on black-colored enclosures only! White-colored enclosures are not equipped with handles.

Warranty (USA only; other countries, see your dealer or distributor)

Disclaimer

QSC Audio Products, Inc. is not liable for any damage to amplifiers or any other equipment that is caused by negligence or improper installation and/or use of this loudspeaker product.

QSC Audio Products 3 Year Limited Warranty

QSC Audio Products, Inc. ("QSC") guarantees its products to be free from defective material and / or workmanship for a period of three (3) years from date of sale, and will replace defective parts and repair malfunctioning products under this warranty when the defect occurs under normal installation and use - provided the unit is returned to our factory or one of our authorized service stations via pre-paid transportation with a copy of proof of purchase (i.e., sales receipt). This warranty provides that the examination of the return product must indicate, in our judgment, a manufacturing defect. This warranty does not extend to any product which has been subjected to misuse, neglect, accident, improper installation, or where the date code has been removed or defaced. QSC shall not be liable for incidental and/or consequential damages. This warranty gives you specific legal rights. This limited warranty is freely transferable during the term of the warranty period.

Customer may have additional rights, which vary from state to state.

In the event that this product was manufactured for export and sale outside of the United States or its territories, then this limited warranty shall not apply. Removal of the serial number on this product, or purchase of this product from an unauthorized dealer, will void this limited warranty.

Periodically, this warranty is updated. To obtain the most recent version of QSC's warranty statement, please visit www.qscaudio.com.

Contact us at 800-854-4079 or visit our website at www.qscaudio.com.

1675 MacArthur Blvd., Costa Mesa, CA, 92626 USA

Main Number (714) 754-6175 or toll free (USA only) (800) 854-4079

Customer Service (714) 957-7150 or toll free (USA only) (800) 772-2834



© Copyright 2005, 2006, 2007 QSC Audio Products, Inc.

QSC® is a registered trademark of QSC Audio Products, Inc.

"QSC" and the QSC logo are registered with the U.S. Patent and Trademark Office

PowerCon® is a registered trademark of Neutrik® and the names of Neutrik® products referenced herein are either trademarks and/or service marks of Neutrik®.

All trademarks are the property of their respective owners.