

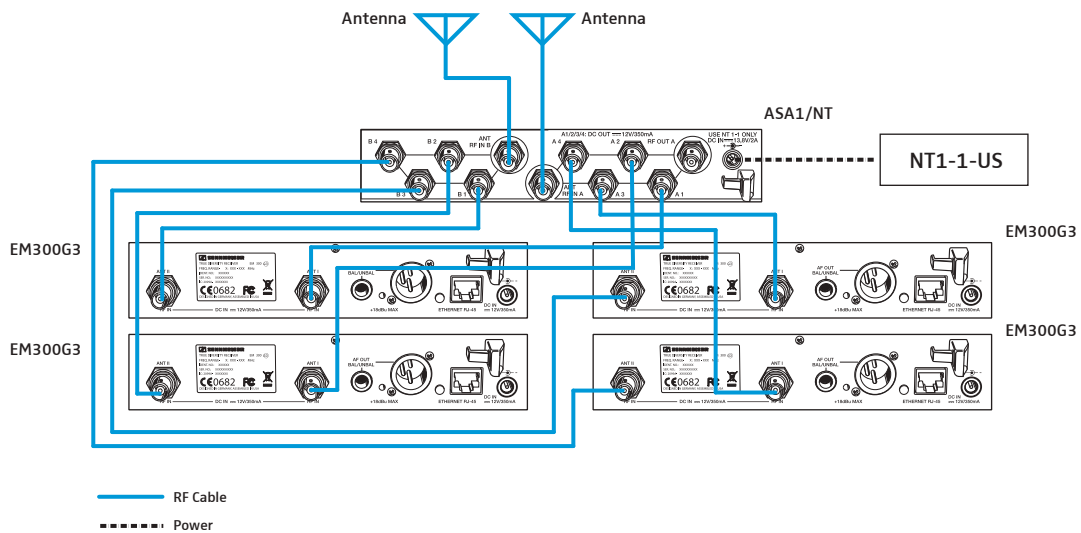
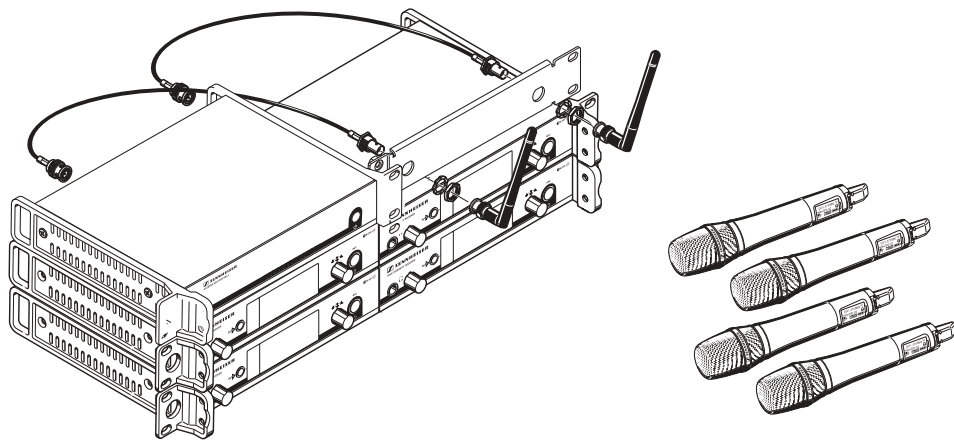
Specifications

ASA 1 antenna splitter	2 x 1:4 or 1 x 1:8, active
Antenna cable	8 items, 50 cm, BNC
Frequency range	500 to 870 MHz at -3 dB
Amplification In A – Out A	0 ± 1 dB
Amplification In A – Out A1 ... A4	0 ± 1 dB
Amplification In B – Out B1 ... B4	0 ± 1 dB
Impedance	50 Ω
Operating voltage	13.8 V DC (with NT 1-1 mains unit)
Total current consumption	max. 2.0 A with 4 receivers and 2 antenna boosters
Supply voltage of antenna boosters at ANT RF IN A and ANT RF IN B	12 V, 130 mA
Supply voltage of receivers at A1 ... A4	12 V (protected from reverse feed), 350 mA
Relative humidity	5 to 95%
Operating temperature range	-10°C to +55°C
Storage temperature range	-20°C to +70°C
Dimensions of housing	approx. 212 x 168 x 43 mm
Weight	approx. 1090 g

Multi-Channel Wireless System Design

Four Channel Wireless System (4 Handheld Systems)

Qty	Model	Description
4	ew335G3	Handheld Systems w/MMD 835-1 capsules
1	G3FrontKit4	Active splitter kit for four receiver system using front-mount antennas, includes ASA1/NT, GA3, AM2



4 Channel Wireless System

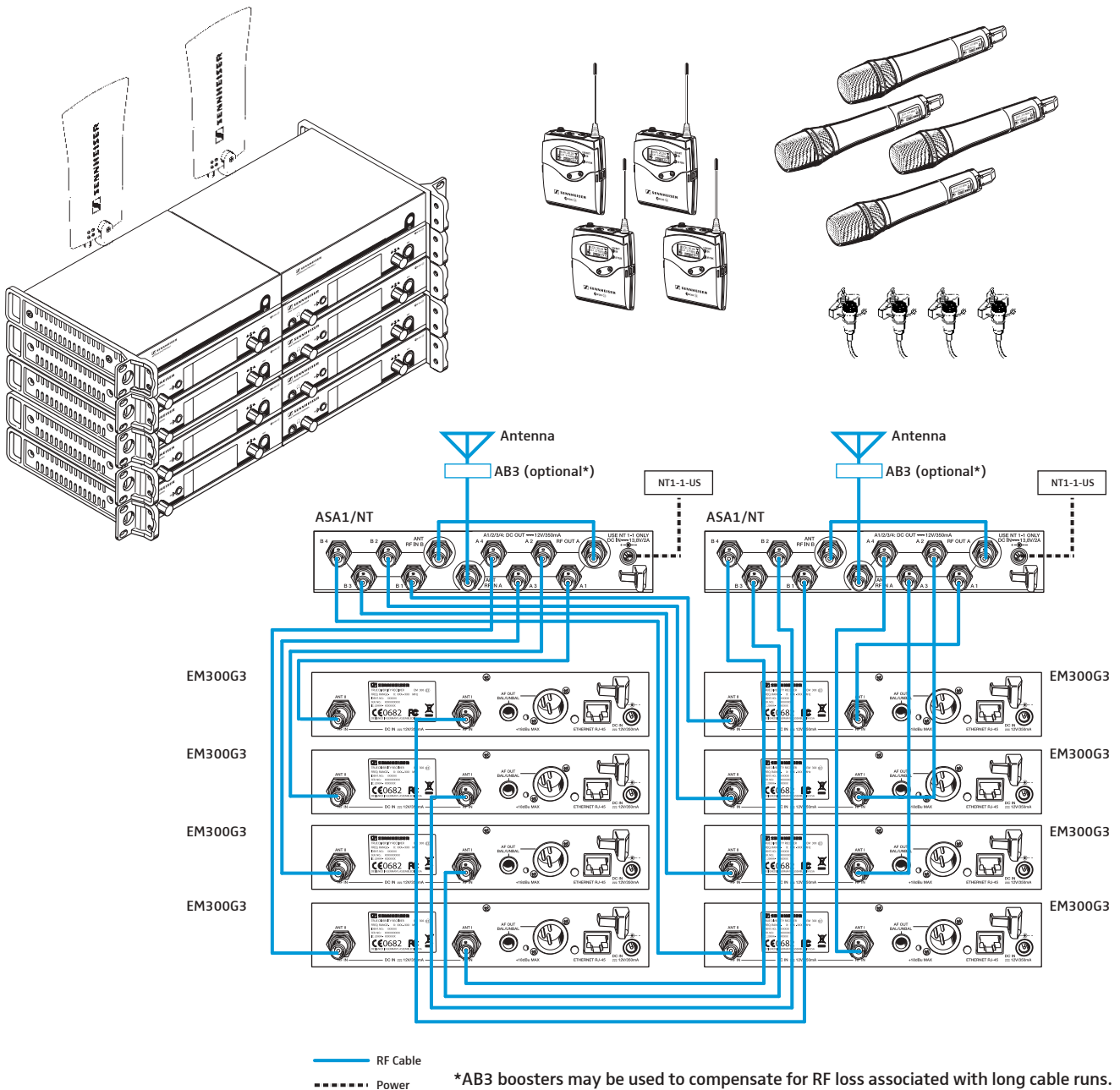
Multi-Channel Wireless System Design

Eight Channel Wireless System

(4 Handheld Systems and 4 Lavalier Systems)

Qty	Model	Description
4	ew365 G3	Handheld Systems w/MME865-1 capsules
4	ew312 G3	Lavalier Systems w/ME2 capsules
1	G3OmniKit8	Active splitter kit for eight receiver system using omni-directional remote paddle antennas, includes two (2) ASA1/NT, two (2) A1031-U, GA3, two (2) BB1

Note: Various Lengths of RF cable available for antenna run (sold separately)



8 Channel Wireless System