



## evolution wired e 906



The supercardioid e 906 instrument microphone was especially designed for guitar amplifiers, but it is also an excellent choice for percussion and brass instruments.

### FEATURES

- Lively, full sound
- Very fast attack
- Flat shape is ideal for miking amp faces
- Three-position switchable presence filter for adaption of the sound characteristics: bright, moderate, dark
- Extra-resistant reinforced metal body

### DELIVERY INCLUDES

- e 906
- pouch
- MZQ 100 microphone clamp
- quick guide
- safety guide

### SPECIFICATIONS

Transducer principle	dynamic
Frequency response	40 - 15,000 Hz
Pick-up pattern	super-cardioid
Sensitivity (free field, at 1 kHz)	1.5 mV/Pa
Nominal impedance (at 1 kHz)	350 Ω
Min. terminating impedance	1 kΩ
Connector	XLR-3
Dimensions	55 x 55 x 134 mm
Weight	140 g

### ARCHITECT'S SPECIFICATION

The instrument microphone shall be a dynamic super-cardioid designed for use with guitar amps, percussion and brass instruments. The microphone shall have a rugged metal body and shall provide a three-position switchable presence filter that allows the adaption of the sound characteristics.

The frequency response shall be 40 Hz – 18,000 Hz and the sensitivity (free field, no load) shall be 2.2 mV/Pa at 1 kHz. Nominal impedance shall be 350 Ω, with a min. terminating impedance of 1 kΩ.

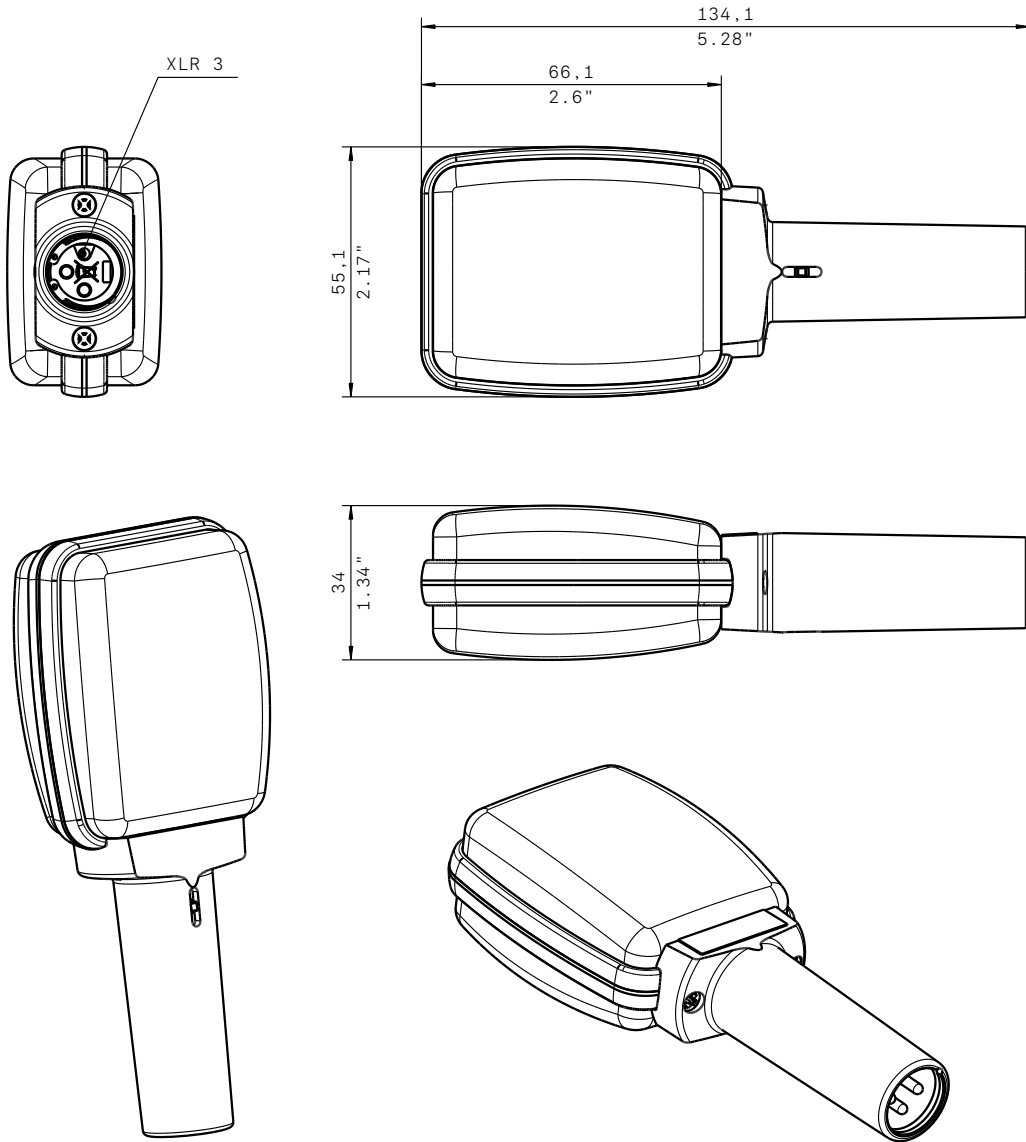
The microphone shall provide a 3-pin XLR connector. Dimensions shall be 55 x 34 x 134 mm (2.17" x 1.34" x 5.28"). Weight shall be 140 grams (4.94 oz).

The microphone shall be the Sennheiser e 906.

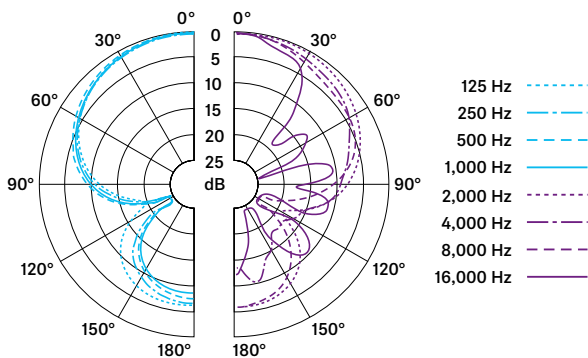


# evolution wired e 906

## DIMENSIONS



## POLAR PATTERN



## FREQUENCY RESPONSE

