

GA 3 Rack Mount Kit

FEATURES

- Extremely robust
- Easy to install

With this rack mount kit you can fix one or two G3 series devices.



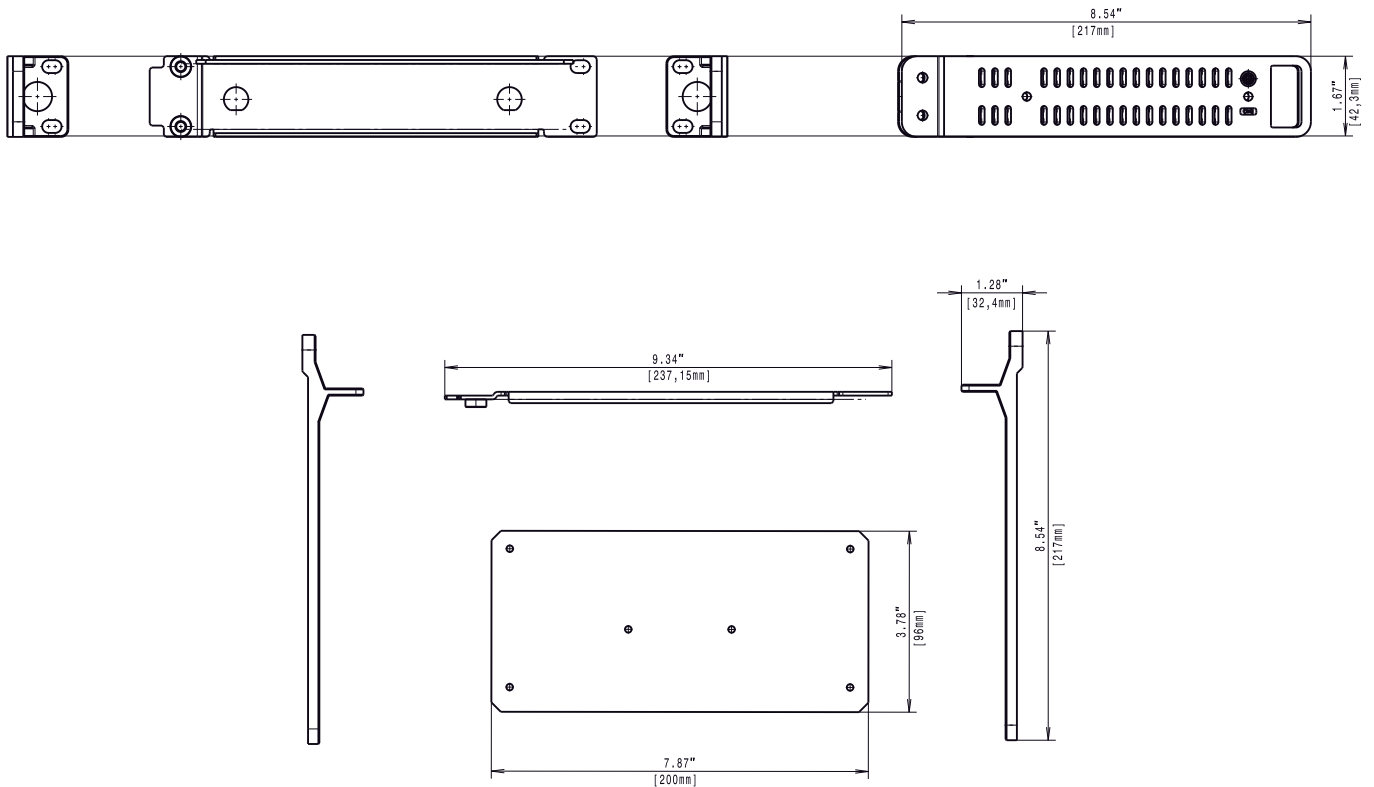
ARCHITECT'S SPECIFICATIONS

Rackkit for the G3-series (for 1 or 2 devices of the G3-series)

TECHNICAL DATA

DELIVERY INCLUDES
1 rack mount kit

DIMENSIONS



Mounting the receiver into a 19" rack



Do not fit the device feet when mounting the receiver into a 19" rack.

CAUTION!



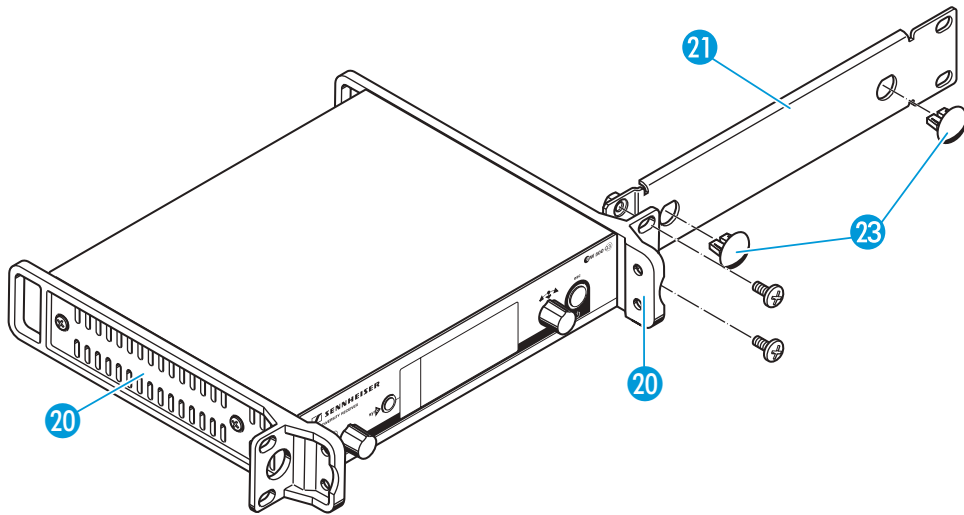
Risks when rack mounting the receiver!

When installing the device in a closed or multi-rack assembly, please consider that, during operation, the ambient temperature, the mechanical loading and the electrical potentials will be different from those of devices which are not mounted into a rack.

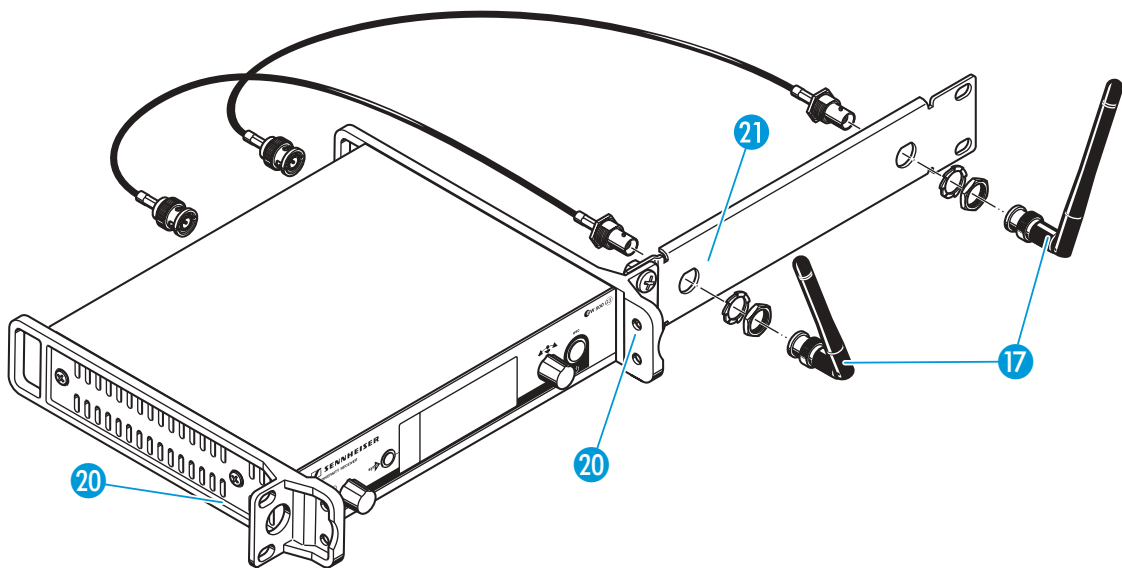
- ▶ Make sure that the ambient temperature within the rack does not exceed the permissible temperature limit specified in the specifications (see page 54).
- ▶ Ensure sufficient ventilation; if necessary, provide additional ventilation.
- ▶ Make sure that the mechanical loading of the rack is even.
- ▶ When connecting to the power supply, observe the information indicated on the type plate. Avoid circuit overloading. If necessary, provide overcurrent protection.
- ▶ When rack mounting, please note that intrinsically harmless leakage currents of the individual mains units may accumulate, thereby exceeding the allowable limit value. As a remedy, ground the rack via an additional ground connection.

Rack mounting one receiver

- ▶ Secure the rack mount "ears" 20 of the supplied GA 3 rack adapter to the receiver as described on page 12.
- ▶ Secure the blanking plate 21 of the supplied GA 3 rack adapter to one of the rack mount "ears" 20 using two recessed head screws (M 6x10).



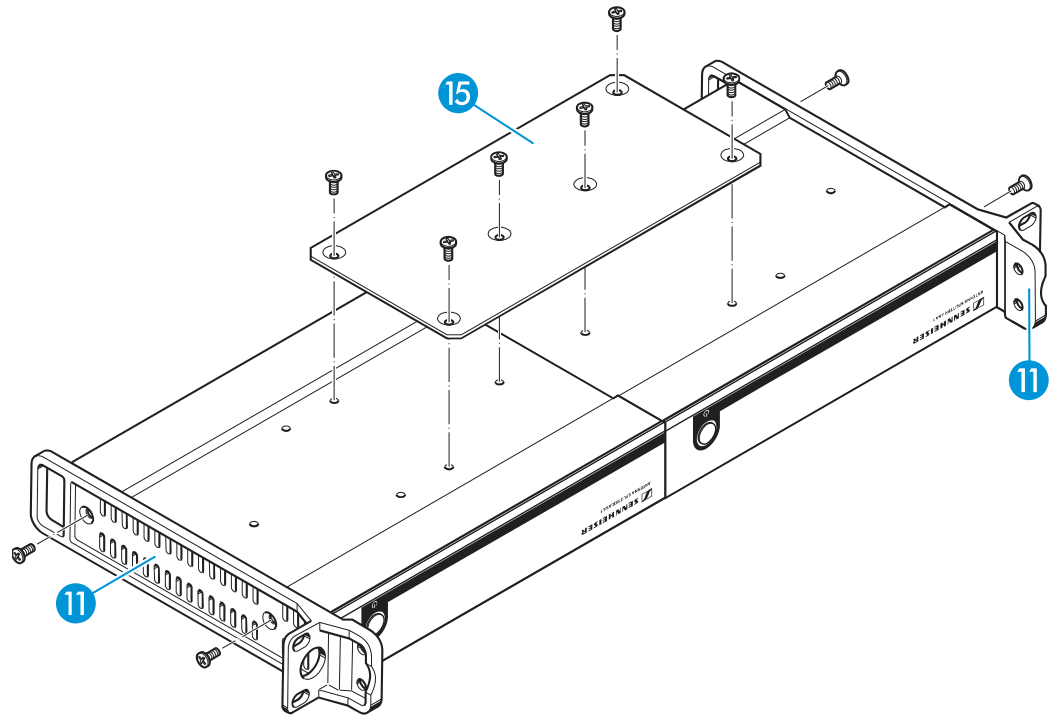
- ▶ Connect the antennas. You have the following options:
- You can connect the supplied rod antennas 17 to the rear of the receiver (see page 13). In this case, insert the two blanking plugs 23 into the holes of the blanking plate (see diagram above).
 - You can use the AM 2 antenna front mount kit (see “Accessories and spare parts” on page 52) and mount the rod antennas to the blanking plate 21 (see diagram below).



When using more than one receiver, we recommend connecting remote antennas and, if necessary, using Sennheiser antenna accessories. For more information, visit the ew G3 product page at www.sennheiser.com.

**Rack mounting
two devices into
the same 19" slot**

- ▶ Place the two devices (e.g. the ASA 1 and a stationary receiver) side by side upside-down onto a flat surface:



- ▶ Secure the jointing plate 15 to the devices using six recessed head screws (M 3x6).
- ▶ Secure the rack mount "ears" 11 to the devices as described in the section "Rack mounting one ASA 1" on page 9.

To mount the antennas:

- ▶ Use remote antennas.

To mount the devices into the rack:

- ▶ Slide the devices into the 19" rack.
- ▶ Secure the rack mount "ears" to the 19" rack.