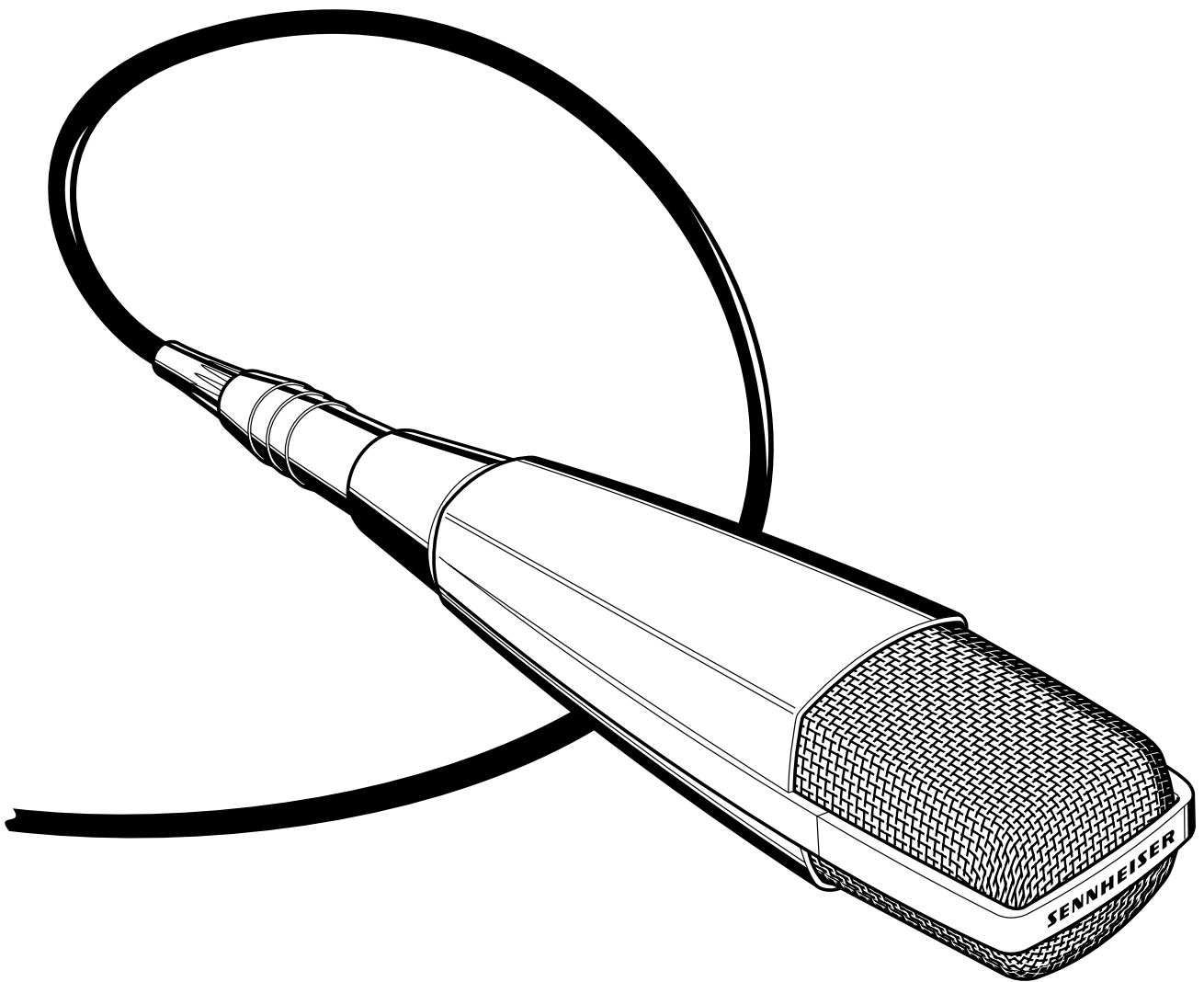


INSTRUCTIONS FOR USE

**MD 421-II**



# MD 421-II

Dynamic microphone with cardioid-shaped directional characteristic. Suitable for vocal transmission and miking up instruments in all fields of live sound transmission.

## ITS FEATURES

- Good feedback and handling noise rejection
- Transparent sound reproduction
- Pronounced directional characteristic
- Robust
- 5 step roll-off filter
- Lockable stand holder

## RECOMMENDED ACCESSORIES

**Desk stands:** MZT 441, (art.-no. 00799); MZT 100 (art.-no. 01883).

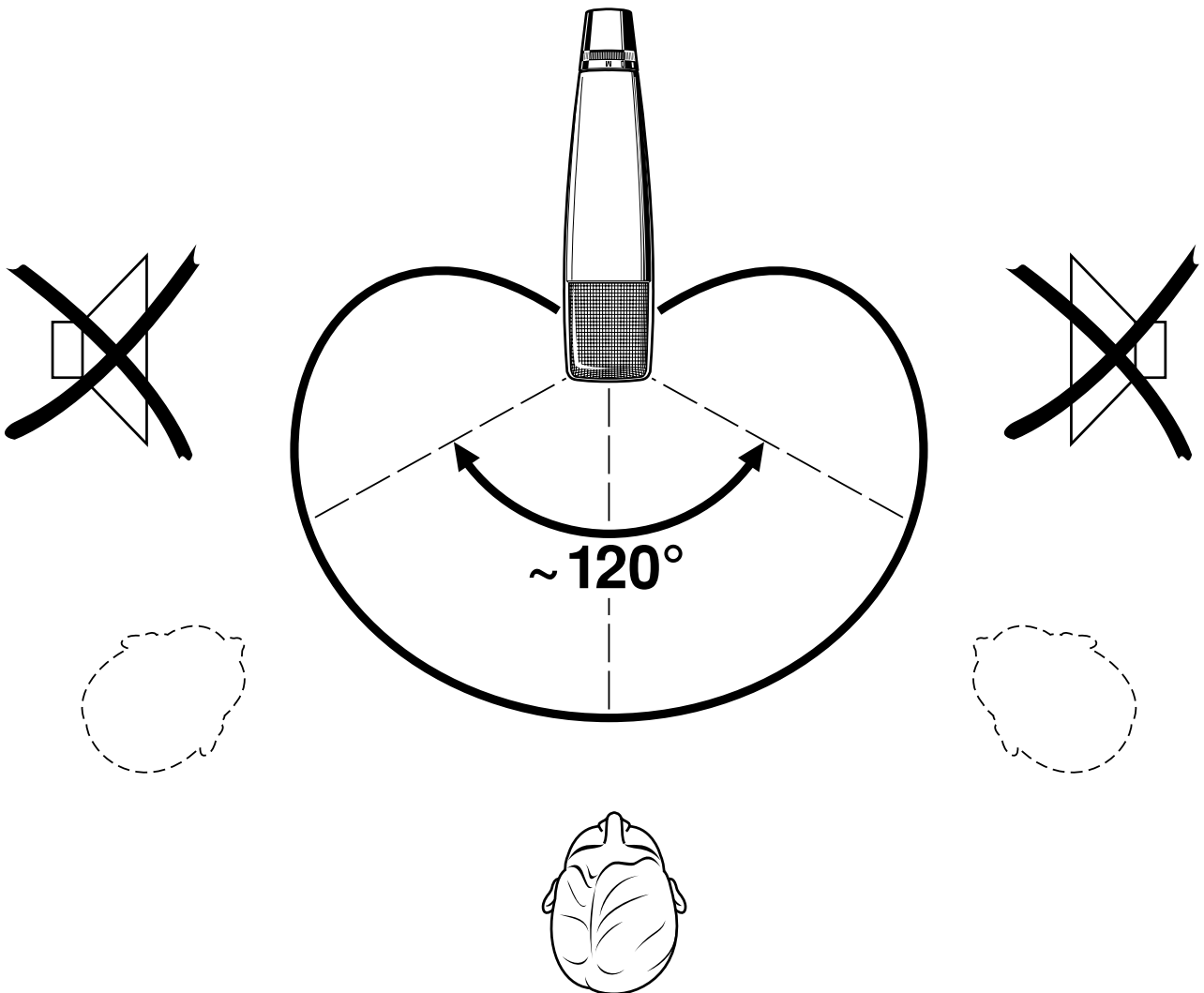
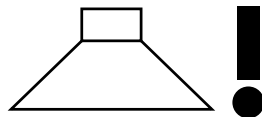
**Windscreens:** MZW 40 (art.-no. 01794); MZW 421: grey (art.-no. 00536); blue (art.-no. 01527); red (art.-no. 01530)

## TECHNICAL DATA

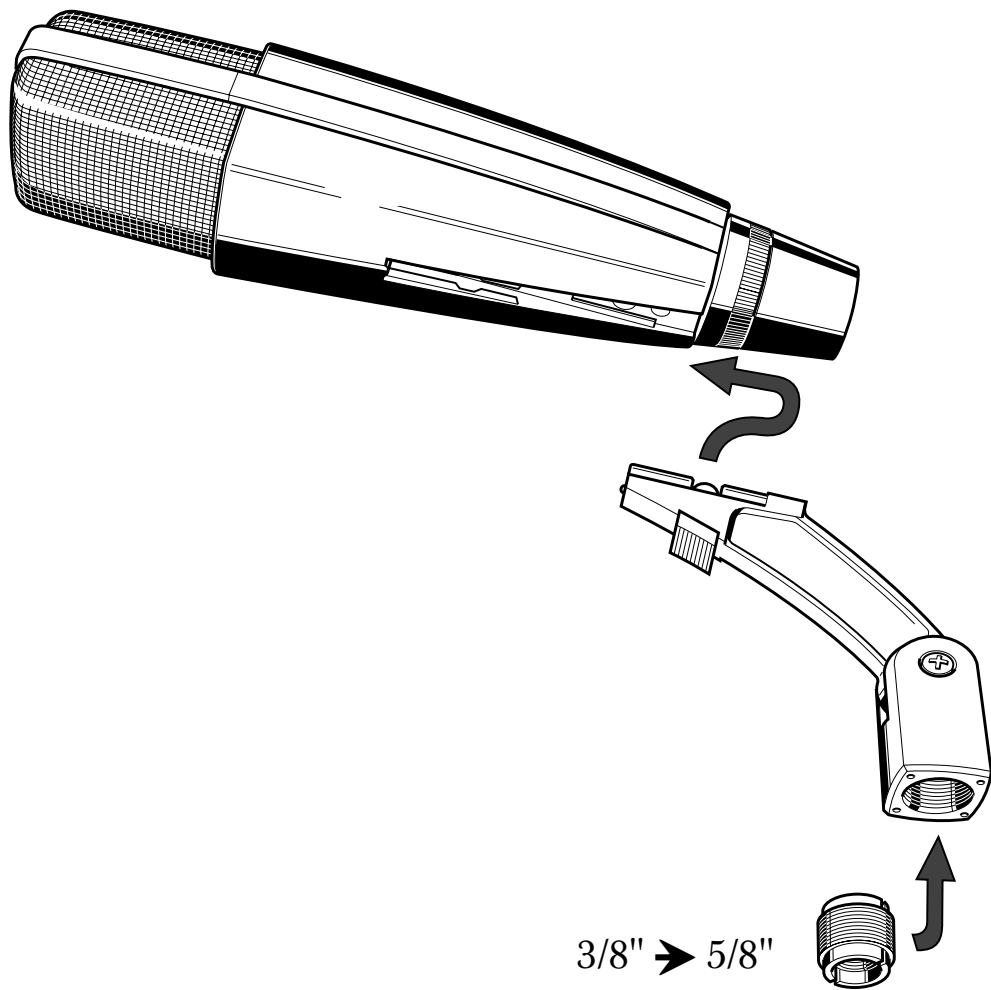
Frequency response	30 - 17,000 Hz
Acoustical mode of operation	pressure gradient transducer
Directional characteristic	cardioid
Max. rejection at 180°	18 dB - 2 dB
Open circuit output level	2 mV / Pa (= -54 dBV) ± 2,5 dB
Electrical impedance	200 Ω
Minimum load impedance	200 Ω
Insensitivity to magnetic field at 50 Hz	< 5 μV / 5 μT
Dimensions in mm	215 x 46 x 49
Weight	approx. 385 g
Delivery	1 microphone, 1 stand holder 1 adaptor 3/8" → 5/8"

Subject to alterations.

# Speaking into the microphone

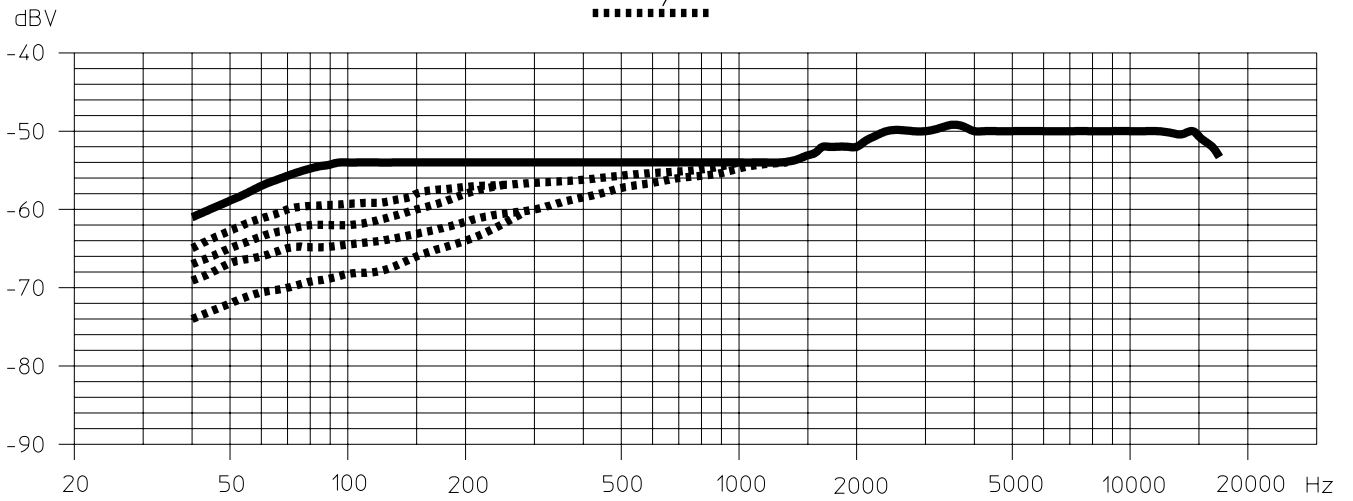
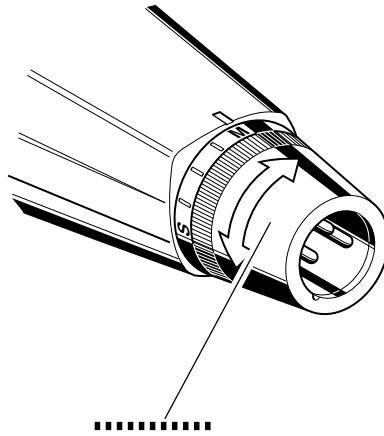


# Mounting

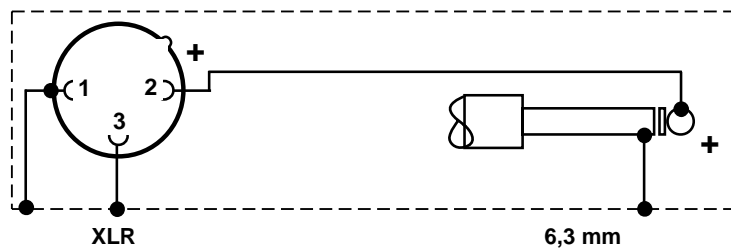
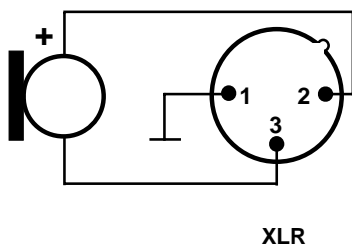
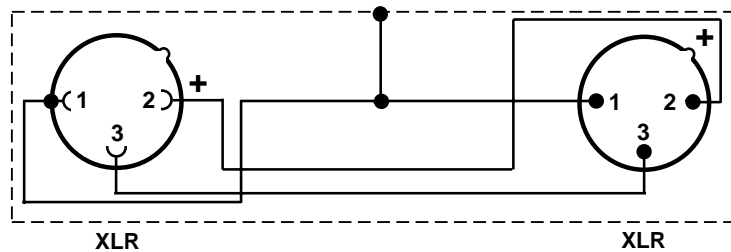
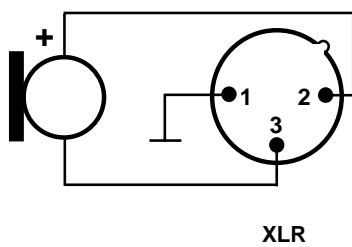


# Frequency response

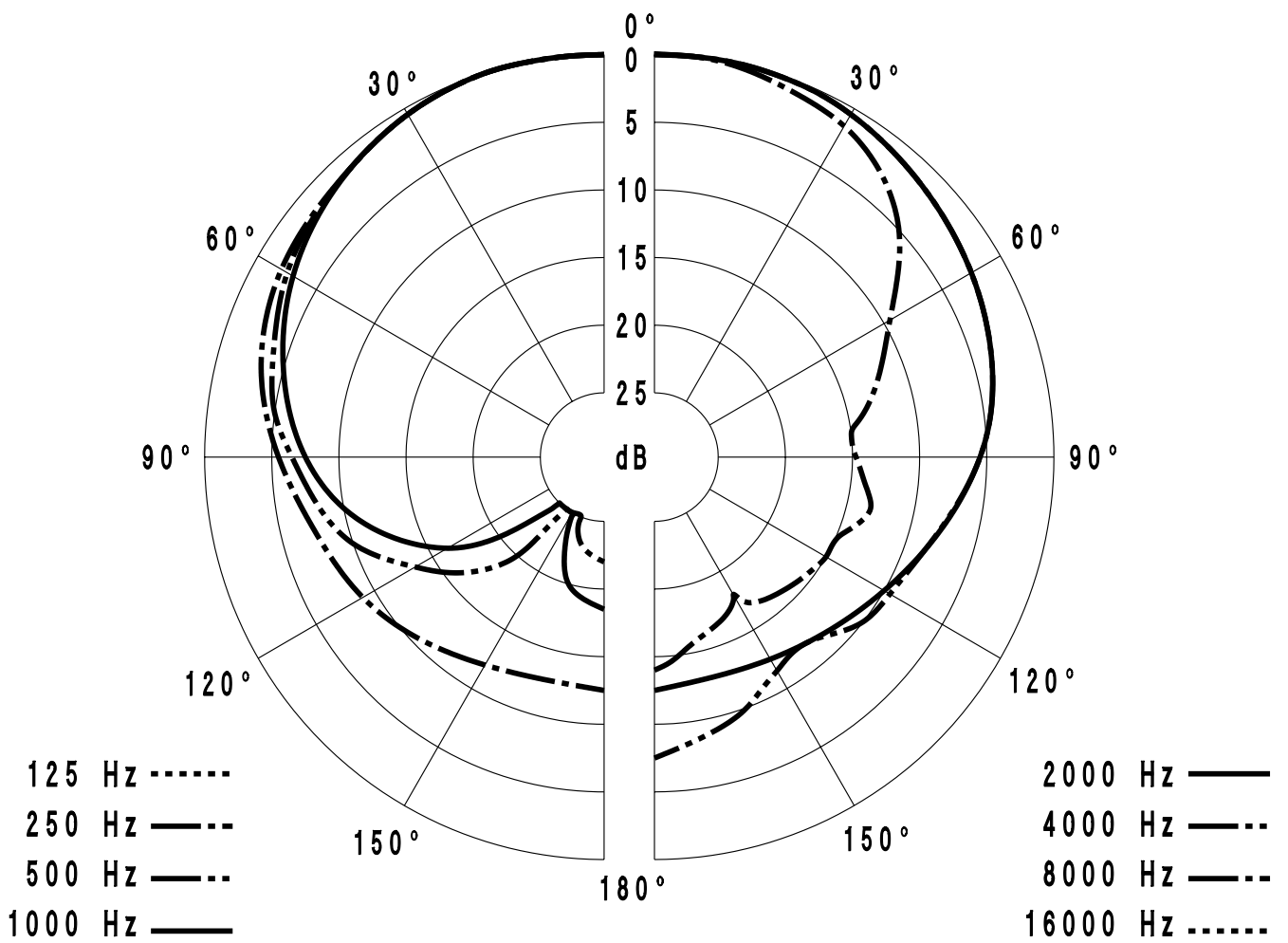
# Effect of the roll-off filter



# Connecting the microphone



# Polar diagram





Sennheiser electronic GmbH & Co. KG  
D-30900 Wedemark  
Printed in Germany

Telefon 05130/600-0  
Telefax 05130/600-300  
Publ. 01/98 54558/A03