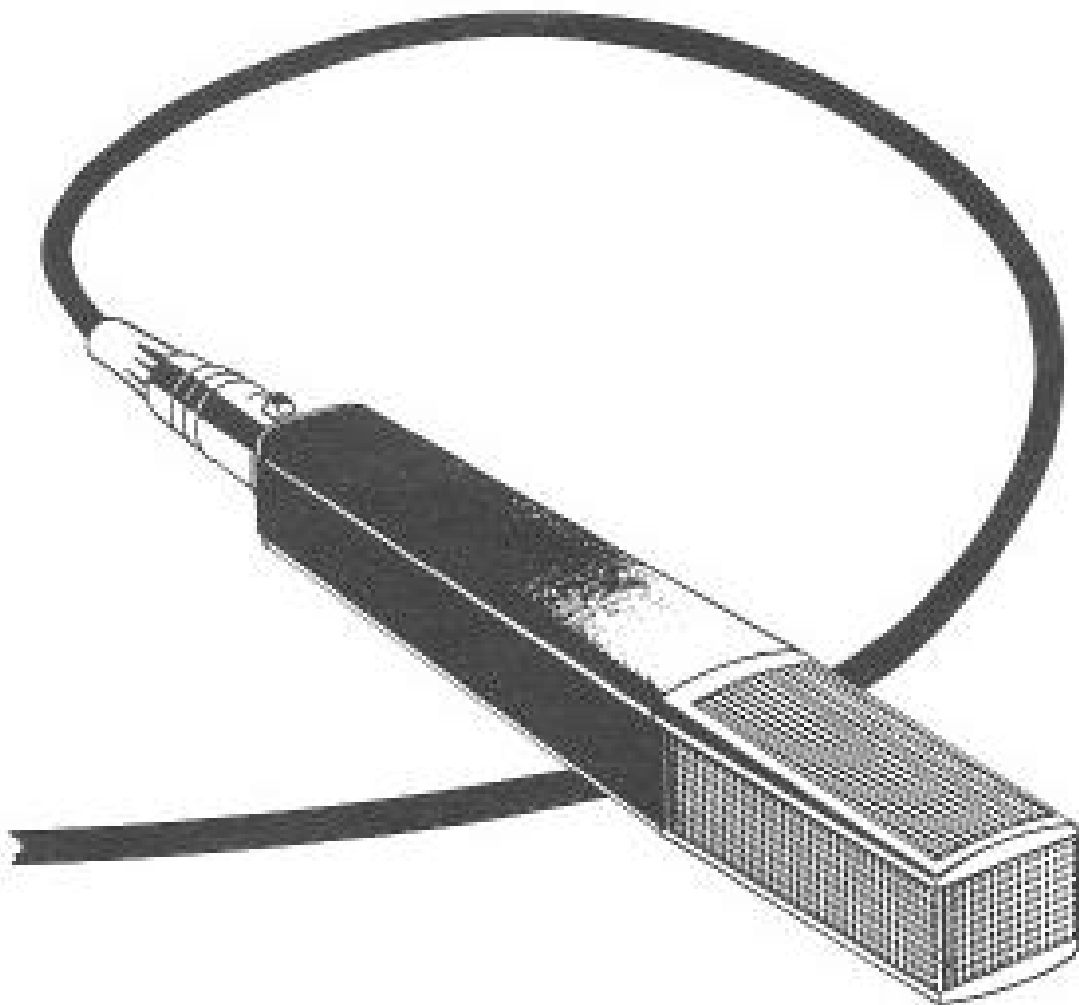


# MD 441

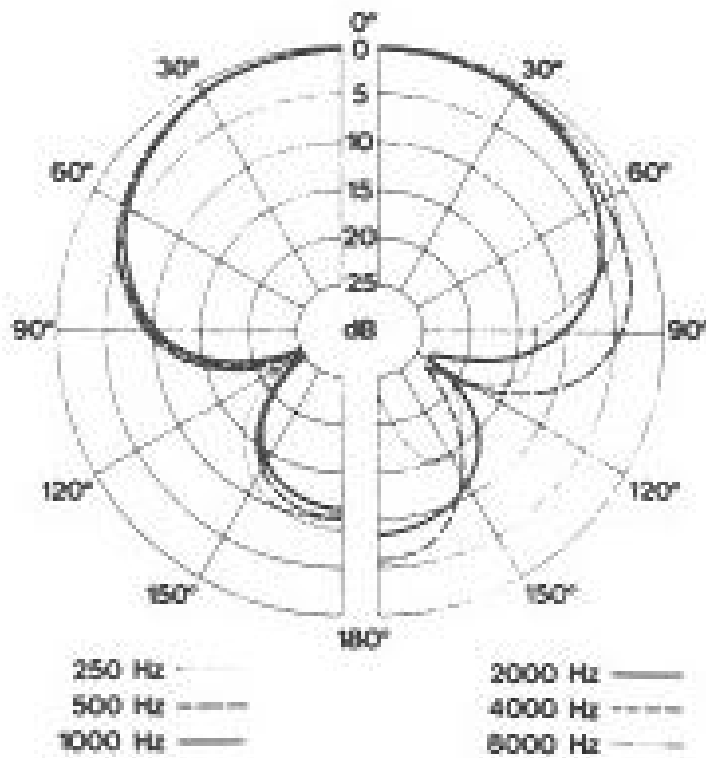
Instructions for use



# FREQUENCY RESPONSE



# POLAR DIAGRAM



High quality, dynamic microphone with supercardioid-shaped directional characteristic. Suitable for vocal transmission and miking up instruments in all fields of live sound transmission.

### It's features:

- Extremely good feedback rejection
- Balanced frequency response
- 5-step roll-off filter
- Brilliance switch for accentuation of high frequencies
- Insensitive against handling noise due to very effective shock mount
- Robust
- Stand holder included

### Models

#### MD 441 N

With 3-pin connector according to DIN 41 524, screwable.

#### MD 441 U

With 3-pin XLR-connector.

### Hints for use

- Roll-off filter and brilliance switch enable you to match the frequency response to the respective recording situation. As "sound" is judged individually only general recommendations for specific settings of both controls can be given:

#### **Roll-off filter position "M":**

Recording or transmission of music, vocals or speech at distances  $\geq 30$  cm.

#### **Roll-off filter position "S":**

Vocals and speech recording / transmission at distances  $\leq 10$  cm

- For outdoor recording / transmission or distances  $\leq 15$  cm a pop / wind-shield should be used (see "Recommended accessories").

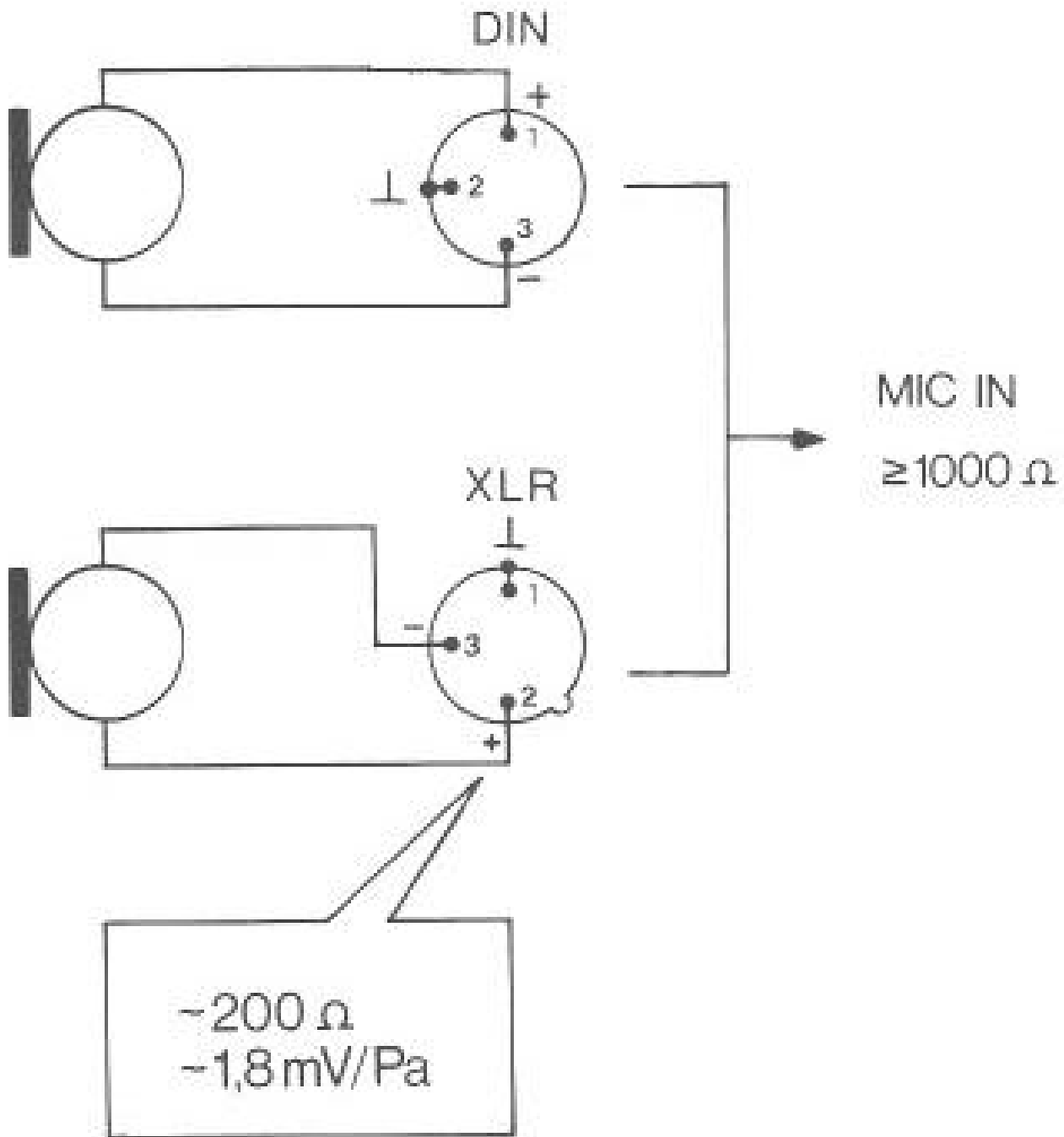
### Recommended accessories:

Desk stands: MZT 441 (art. no. 0799); MZT 100 (art. no. 1883).

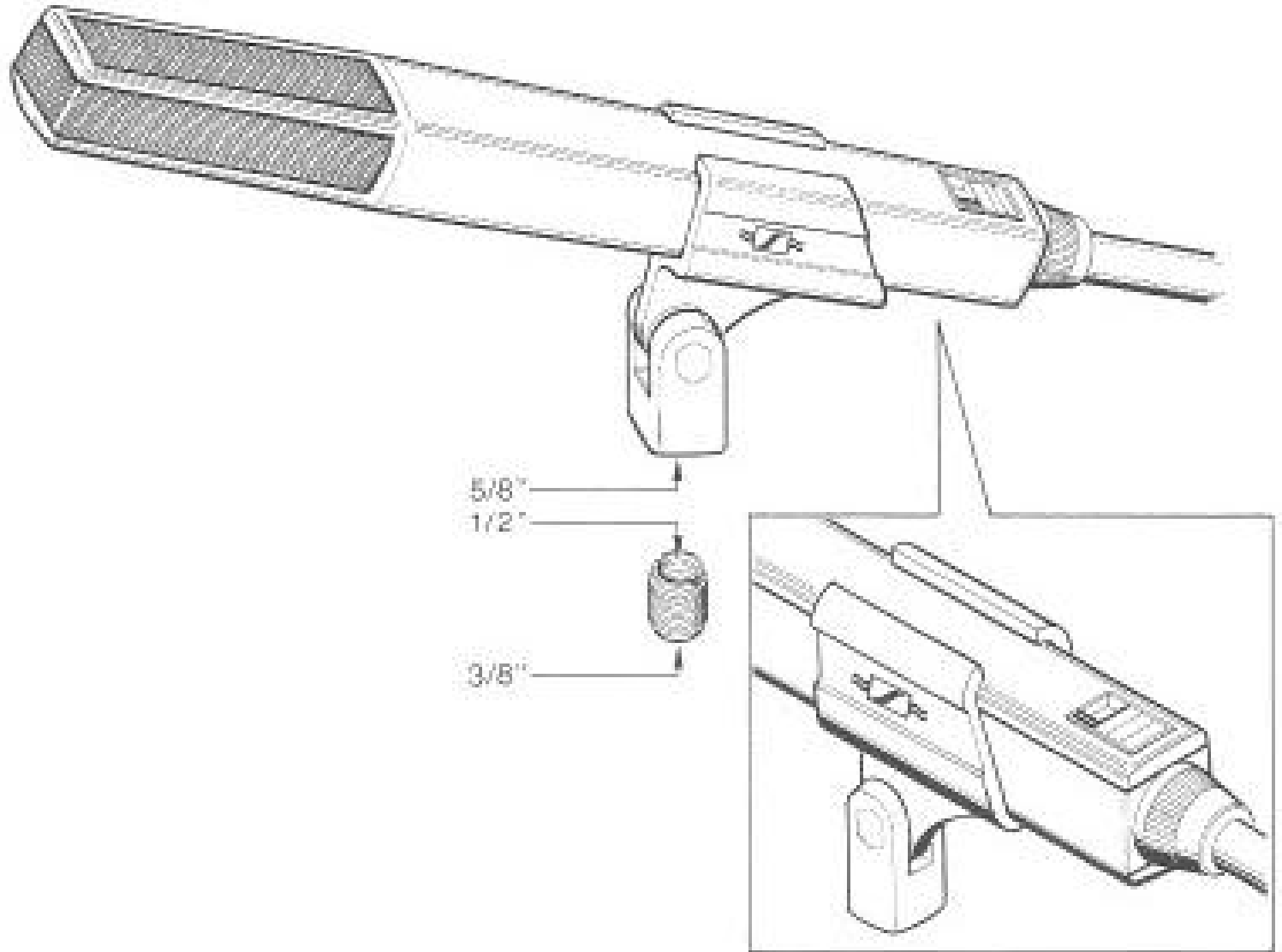
Windscreens: MZW 40 (art. no. 1794); MZW 441: black (art. no. 0976), red (art. no. 1439), blue (art. no. 1641), yellow (art. no. 1440), green (art. no. 1441).

Stand holder: MZQ 441 (art. no. 2615).

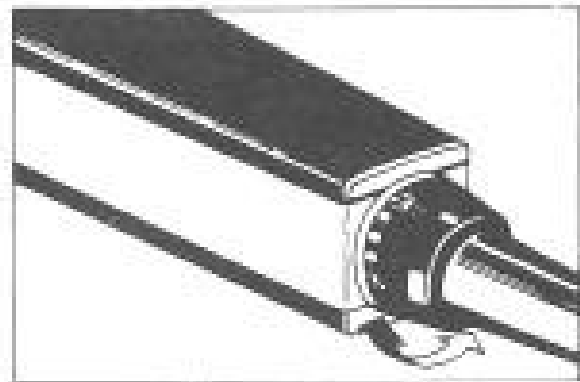
# CONNECTING THE MICROPHONE



# MOUNTING

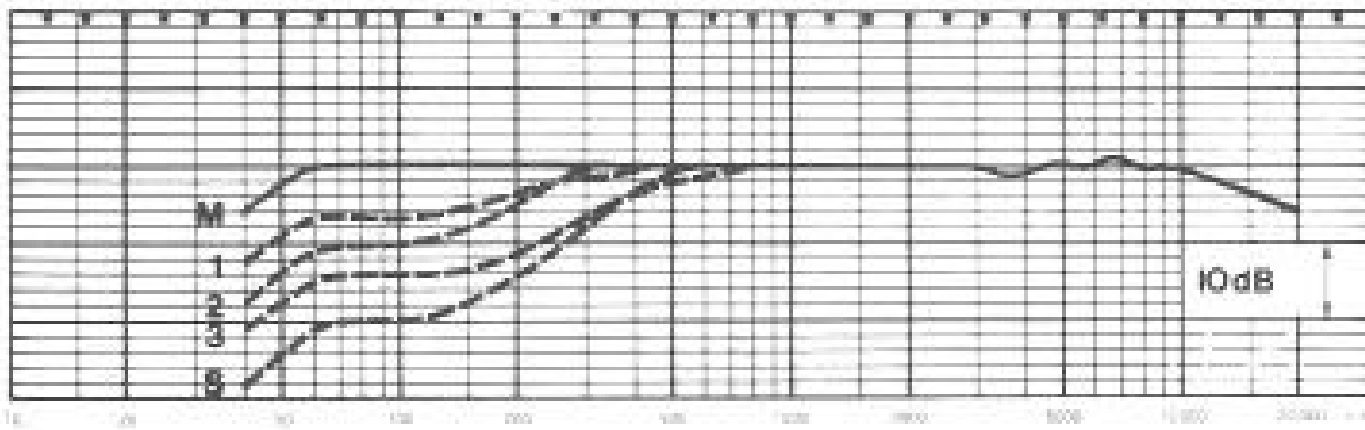


Effect of the roll-off filter

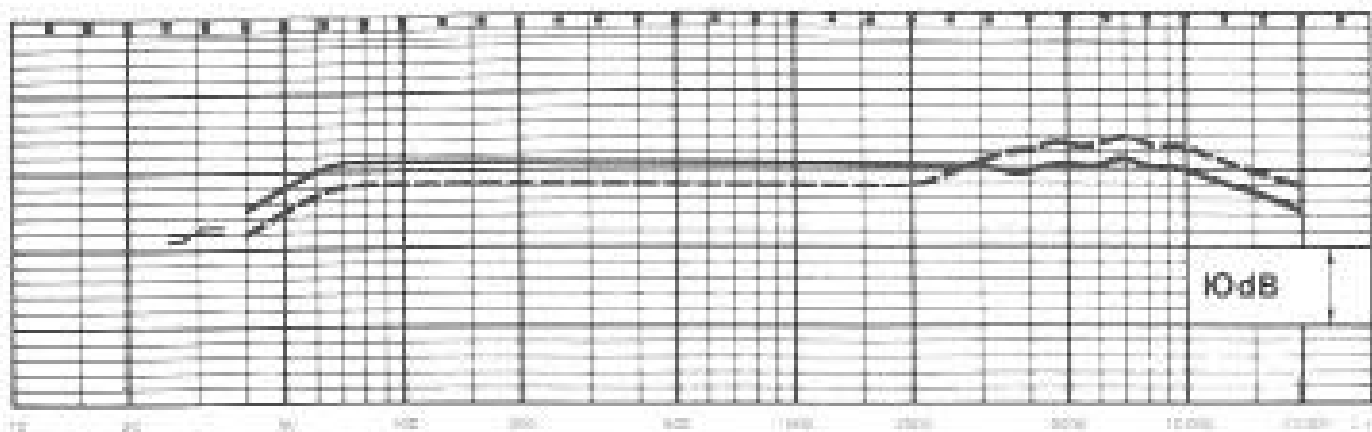
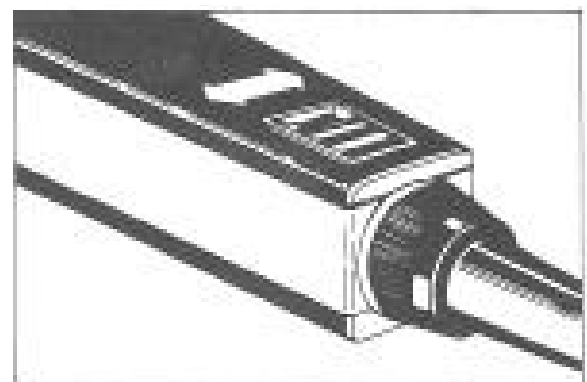


M = Musik / music

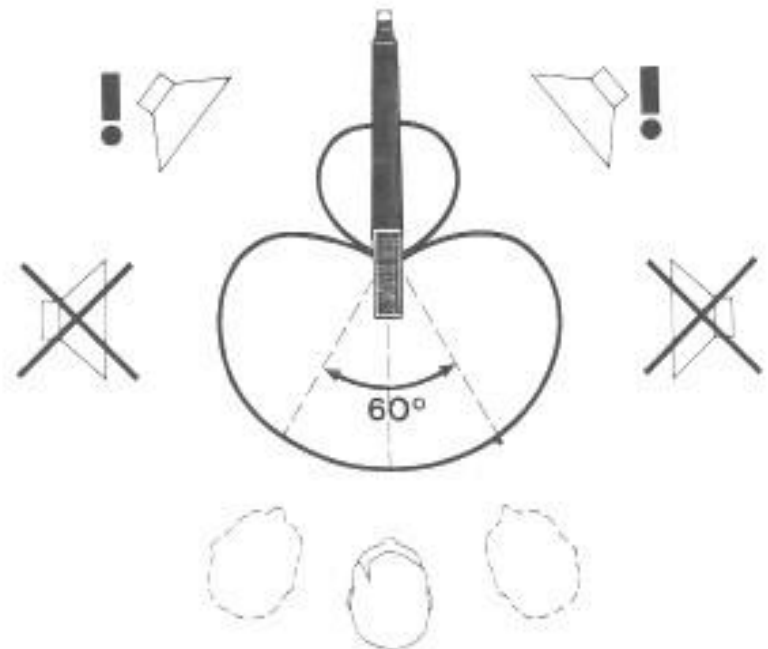
S = Sprache / speech



Effect of the brilliance switch



## POSITIONING



## Technical Data

Frequency response	30 – 20 000 Hz
Mode of acoustical operation	pressure gradient transducer
Directional characteristic	supercardioid
Rejection at 130°	20 dB – 3 dB
Open circuit output voltage at 1 kHz	1.8 mV/Pa ± 3 dB (A – 55 dBV)
Electrical impedance at 1 kHz	200 Ohm
Minimal load impedance	1000 Ohm
Plug	MD 441 N: 3-pin DIN plug, screwable MD 441 U: 3-pin XLR-3
Magnetic field interference factor	5 µV/5 µT
Dimensions in mm	MD 441 N: 257 x 33 x 36 MD 441 U: 270 x 33 x 36
Weight	approx. 450 g
Delivery	1 microphone 1 stand holder

Subject to alterations.

Sennheiser electronic GmbH & Co. KG  
30900 Wedemark, Germany  
Phone +49 (51 30) 600 0  
Fax +49 (51 30) 600 300  
[www.sennheiser.com](http://www.sennheiser.com)