



SK 2020-D

Quick guide

Sennheiser electronic GmbH & Co. KG

Am Labor 1, 30900 Wedemark, Germany

www.sennheiser.com

Printed in Germany, Publ. 05/19, 583939/A01

SENNHEISER

Important safety instructions

1. Read these safety instructions and the instruction manual of the product.
2. Keep these safety instructions and the instruction manual of the product. Always include all instructions when passing the product on to third parties.
3. Always include this instruction manual and the safety guide when passing the product on to third parties.
4. Only use attachments, accessories and spare parts specified by the manufacturer.
5. Do not attempt to open the product housing on your own. The warranty is voided for products opened by the customer.
6. Refer all servicing to qualified service personnel. Servicing is required when the product has been damaged in any way, liquid has been spilled or objects have fallen into the product, when the product has been exposed to rain or moisture, does not operate normally, or has been dropped.
7. Use the product only under the conditions of use listed in the specifications.
8. Do not operate the product if it was damaged during transportation.
9. Always run cables so that no one can trip over them.
10. Keep the product and its connections away from liquids and electrically conductive objects that are not necessary for operating the product.
11. Do not use any solvents or aggressive cleaning agents to clean the product.
12. Caution: Very high signal levels can damage your hearing and your loudspeakers. Reduce the volume on the connected audio devices before switching on the product; this will also help prevent acoustic feedback.

Safety instructions for standard/rechargeable batteries

- Caution: Risk of explosion if you use or replace a battery by an incorrect type.
- Do not short-circuit a cell or battery.
- Do not expose cells or batteries to heat or fire. Avoid storage in sunlight.
- Do not subject cells or batteries to mechanical shock.
- Do not touch leaking/defective batteries unprotected.
- Observe correct polarity.
- Do not use different battery types.
- Charge rechargeable batteries at ambient temperatures between +10 °C and +40 °C (+50 °F and +104 °F).

Danger due to high volume levels

This product is used for commercial purposes. Commercial use is subject to the rules and regulations of the trade association responsible. Sennheiser, as the manufacturer, is therefore obliged to expressly point out possible health risks arising from use.

This product is capable of producing sound pressure levels exceeding 85 dB (A). 85 dB (A) is the sound pressure corresponding to the maximum permissible volume which is by law (in some countries) allowed to affect your hearing for the duration of a working day. It is used as a basis according to the specifications of industrial medicine. Higher volumes or longer durations can damage your hearing. At higher volumes, the duration must be shortened in order to prevent hearing damage.

The following are sure signs that you have been subjected to excessive noise for too long a time:

- You can hear ringing or whistling sounds in your ears.
- You have the impression (even for a short time only) that you can no longer hear high notes.

Inform all users of these risks and ask them to set the volume to a moderate level if necessary.

Intended use

The product is designed for indoor and outdoor use.

The product can be used for commercial purposes. It is considered improper use when the product is used for any application not named in the corresponding instruction manual.

Sennheiser does not accept liability for damage arising from improper use or misuse of this product and its attachments/accessories.

Before putting the products into operation, please observe the respective country-specific regulations!

Sennheiser is not liable for damages resulting from the loss of connection due to flat or overaged (rechargeable) batteries or exceeding the transmission range.

Manufacturer declarations

In compliance with the following requirements

- WEEE Directive (2012/19/EU)
- Battery Directive (2006/66/EC & 2013/56/EU)



Notes on disposal

The symbol of the crossed-out wheeled bin (imprint available depending on national requirements) on the product, the battery/rechargeable battery (if applicable) and/or the packaging indicates that these products must be disposed of separately at the end of their operational lifetime in accordance with the national legislation. For packaging disposal, please observe the legal regulations on waste segregation applicable in your country.

The separate collection of waste electrical and electronic equipment, batteries/rechargeable batteries (if applicable) and packagings is used to promote the reuse and recycling and to prevent negative effects caused by e.g. potentially hazardous substances contained in these products. Herewith you make an important contribution to the protection of the environment and public health.

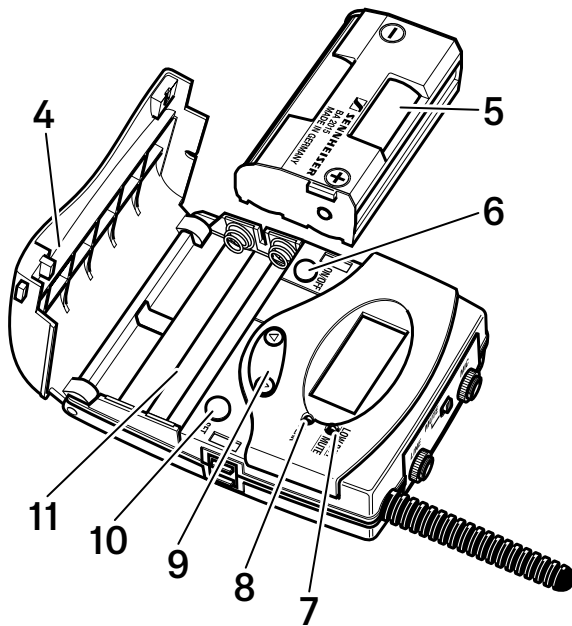
EU Declaration of conformity

- RoHS Directive (2011/65/EU)

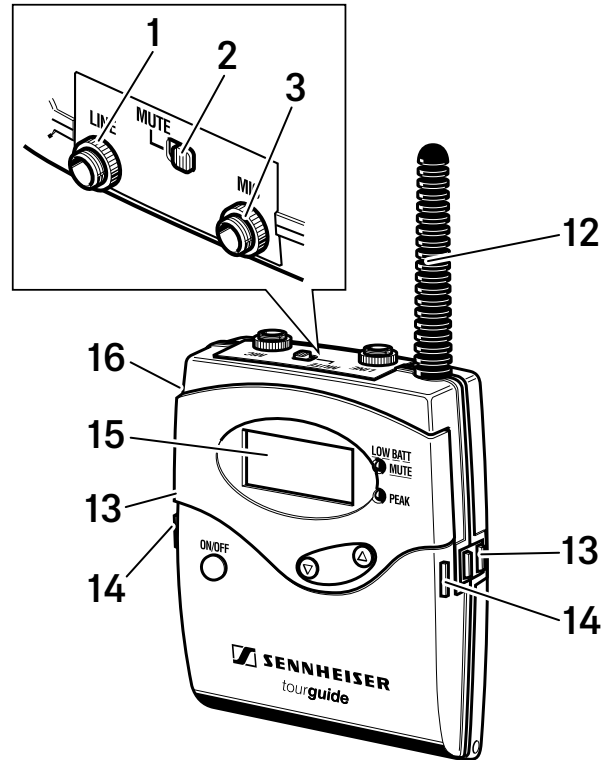
Hereby, Sennheiser electronic GmbH & Co. KG declares that the radio equipment type SK 2020-D is in compliance with Directive 2014/53/EU.

The full text of the EU declaration of conformity is available at the following internet address: www.sennheiser.com/download.

PRODUCT OVERVIEW



1. Line input
2. MUTE switch
3. Microphone input
4. Battery compartment cover
5. BA 2015 accupack
6. ON/OFF button
7. Red LED LOW BATT/MUTE
8. Yellow LED PEAK



9. ▲/▼ rocker button
10. SET button
11. Battery compartment
12. Antenna
13. Charging contacts
14. Battery compartment catches
15. LC display
16. Belt clip (on the back of the transmitter)

zum Gebrauch entneh-

The SK 2020-D transmitter is part of the Tourguide 2020-D system. For operating instructions, refer to the user manual for the overall system (ID no. 516509).

SPECIFICATIONS

SK 2020-D bodypack transmitter (Art. No.: 500548)


SK 2020-D-US bodypack microphone (Art. No.: 500549)

Modulation	2 FSK
Frequency range	863 – 865 MHz
Frequency range (US)	926 – 928 MHz
Channels	6
RF output power (EU)	10 mW
RF output power (US)	max. 50 mV/m (distance: 3 m)
AF frequency response	100 – 7,000 Hz
Max. input voltage at mic/line input	microphone: 650 mV _{eff} (sensitivity -36 dB) line: 2 V _{eff} (sensitivity -24 dB)
Operating time	typ. 8 h
Power supply	BA 2015 accupack, 2.4 V or 2 AA size batteries, 1.5 V
Temperature range	0 – 50 °C
Dimensions	approx. 82 x 64 x 24 mm
Weight	approx. 160 g (incl. BA 2015 accupack)


COMPLIANCE

SK 2020-D

In compliance with

Europe		Radio:	ETSI EN 301357
		EMC:	ETSI EN 301489-1/-9
		Safety:	IEC / EN 62368-1
USA		FCC-Part 15	
Canada		RSS-210	

Certified by

Europe			
USA	SK 2020-D	FCC ID:	DMOTG2020D
Canada	SK 2020-D	IC:	2099A-TG2020D