

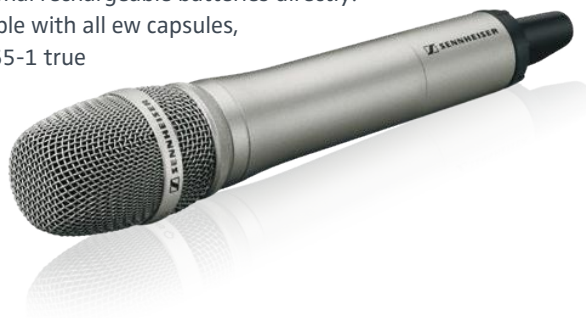
SKM 2000 Handheld Transmitter

FEATURES

- 20 fixed frequency banks with up to 64 compatible presets in up to 75 MHz switching bandwidth and 6 user banks
- Switchable RF output power: 10, 30, 50 and 100 mW (XP only) to further increase distance range and multi-channel capability
- External charging contacts for recharging BA 2015 in the transmitter
- Compatible to 6 different Sennheiser capsules
- Transmitters can be configured in the receiver menu and can be synchronized via the infrared interface
- Available in nickel and black

It's all in the design. The hand-held transmitter of the 2000 series shows its strength: during use, in its performance, in its features. Sennheiser's technical know-how is shown through its switchable transmission power, intuitive menu navigation, an easy-to-read graphic display and external charging contacts for charging the optional rechargeable batteries directly.

SKM 2000 is compatible with all ew capsules, including the MMK 965-1 true condenser capsule, whose wired version, e 965, has already proven to be a great success. Colors: Nickel and black.



ARCHITECT'S SPECIFICATIONS

The device shall be a portable compact handheld microphone transmitter for use with a companion receiver as part of a high reliability wireless radio frequency transmission system. The portable microphone transmitter shall operate within a RF frequency range of 516 – 865 MHz in 20 fixed frequency banks or 6 user banks with a maximum of 64 presets with a switching bandwidth of maximum 75 MHz tunable in 25 kHz steps; carrier frequencies shall be maximum 3000. Nominal/peak deviation shall be ± 24 kHz/ ± 48 kHz. Frequency stability shall be $\leq \pm 15$ ppm. RF output power shall be selectable at 10 mW (Low), 30 mW (Standard), 50 mW (High) and 100 mW (Maximum, XP version only). A compander feature shall be included and shall be Sennheiser HDX system with pilot-tone squelch (switchable). Audio frequency response shall be 80 – 18,000 Hz. Signal-to-noise ratio shall be > 120 dB(A); total harmonic distortion shall be < 0.9 %.

Continued on page 2

TECHNICAL DATA

RF frequency range	516 – 865 MHz
Carrier frequencies	max. 3000
Presets	max. 64
Switching bandwidth.....	max. 75 MHz, tuneable in 25 kHz steps
Nominal / Peak deviation.....	± 24 kHz / ± 48 kHz
Frequency stability.....	$\leq \pm 15$ ppm
RF output power	typ. 10 mW (Low) typ. 30 mW (Standard) typ. 50 mW (High) XP-Version: typ. 100 mW (Maximum)
Compander	HDX
AF frequency response	80 – 18,000 Hz
Signal-to-noise ratio	> 120 dB(A)
THD, total harmonic distortion	$< 0,9$ %
Input sensitivity range	48 dB, adjustable in 6-dB steps
Operating temperature	-10 °C – $+55$ °C
Power supply	2 AA size batteries, 1.5 V or BA 2015 rechargeable pack
Nominal voltage	2.4 V
Power consumption	
– at nominal voltage.....	typ. 180 mA (30 mW)
– with switched-off transmitter	≤ 25 μ A
Operating time	typ. 8 hrs

Continued on page 2

SKM 2000 Handheld Transmitter

ARCHITECT'S SPECIFICATIONS

Input sensitivity range shall be 48 dB adjustable in 6 dB steps. Menu-based software adjustments shall be made using a backlit LCD user display; transmitters shall be configured in the companion receiver menu and synchronized with the receiver via an integrated infrared interface, or shall be capable of adjustment for settings directly within the transmitter menu. Non-XP versions of the transmitter shall be capable of upgrade to XP using a PC-based software tool (XP Upgrade Tool). The transmitter shall have a detachable microphone head and shall be capable of accepting Sennheiser 2000 Series and G3 microphone heads. The transmitter shall be fully compatible with all Sennheiser 2000 series and G3 receivers; partial compatibility shall be provided for Sennheiser ew G2 and G1 receivers. Power shall be supplied to the portable receiver by 2 "AA" size batteries (1.5 Vdc) or by one optional Sennheiser BA2015 rechargeable battery pack; charging contacts shall be provided on the exterior of the transmitter case to allow charging (using external charging units) of the BA2015 while inserted in the transmitter. Power consumption shall be typical 180 mA (30 mW) at nominal voltage of 2.4V; $\leq 25\mu\text{A}$ when transmitter is switched off. Operating time shall be typical 8 hours. The transmitter case shall be fabricated from metal; case dimensions shall be approximately 1.97" diameter x 10.43" (50 mm diameter x 265 mm). External finish shall be available in black and nickel. Weight including battery shall be approximately 15.87 oz (450 grams). Operating conditions shall be ambient temperature +14°F to +131°F (-10°C to +55°C). The portable compact handheld microphone transmitter shall be Sennheiser model SKM 2000.

TECHNICAL DATA

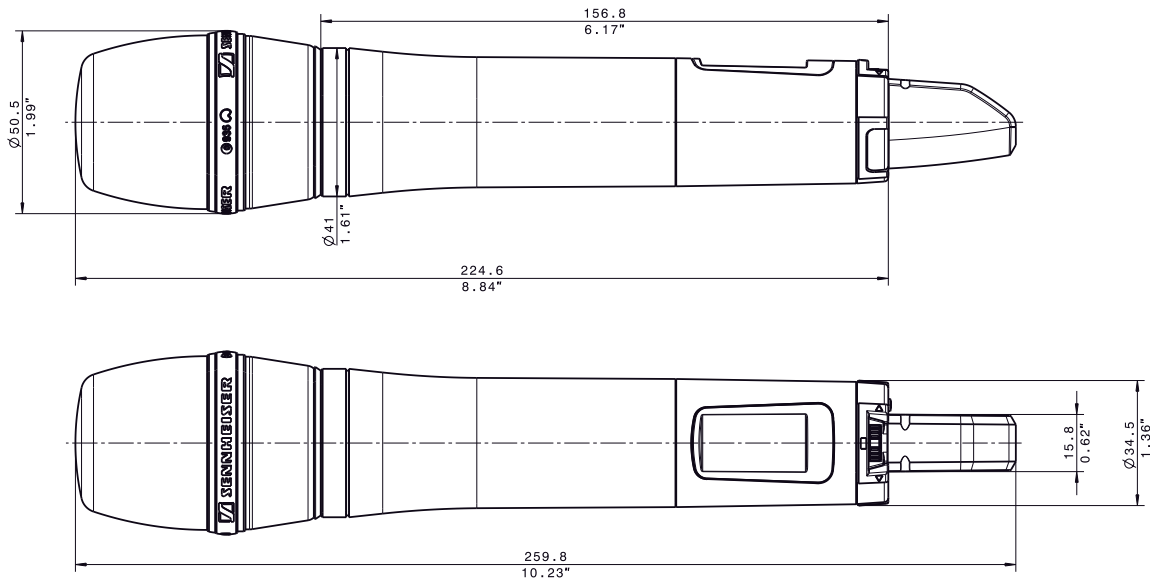
Dimensions approx. \varnothing 50 mm x 265 mm
Weight (incl. batteries) approx. 450 g

DELIVERY INCLUDES

- 1 SKM 2000 hand-held transmitter
- 2 AA 1.5 V batteries
- 1 microphone clip
- 8 color-coded rings
- 1 instruction manual
- 1 supplementary frequency sheet
- 1 supplementary RF power sheet

SKM 2000 Handheld Transmitter

DIMENSIONS



Variant SMK 2000 with MMD 935

PRODUCT VARIANTS

SKM 2000 BK-AW 516 ... 558 MHz, black	Cat. No. 503146
SKM 2000 BK-AW-X 516 ... 558 MHz / Europe, black	Cat. No. 503770
SKM 2000XP BK-AW 516 ... 558 MHz / US, black	Cat. No. 503148
SKM 2000 BK-GW 558 ... 626 MHz, black	Cat. No. 503771
SKM 2000 BK-GW-X 558 ... 626 MHz / Europe, black	Cat. No. 503772
SKM 2000XP BK-GW 558 ... 626 MHz / US, black	Cat. No. 503793
SKM 2000 BK-BW 626 ... 698 MHz, black	Cat. No. 503773
SKM 2000 BK-BW-X 626 ... 698 MHz / Europe, black	Cat. No. 503774
SKM 2000XP BK-BW 626 ... 698 MHz / US, black	Cat. No. 503795
SKM 2000 BK-CW 718 ... 790 MHz, black	Cat. No. 503775
SKM 2000 BK-CW-X 718 ... 790 MHz / Europe, black	Cat. No. 503776
SKM 2000 BK-DW 790 ... 865 MHz, black	Cat. No. 503777
SKM 2000 BK-DW-X 790 ... 865 MHz / Europe, black	Cat. No. 503778
SKM 2000 NI-AW 516 ... 558 MHz, nickel	Cat. No. 503147
SKM 2000 NI-AW-X 516 ... 558 MHz / Europe, nickel	Cat. No. 503781
SKM 2000XP NI-AW 516 ... 558 MHz / US, nickel	Cat. No. 503879
SKM 2000 NI-GW 558 ... 626 MHz, nickel	Cat. No. 503782
SKM 2000 NI-GW-X 558 ... 626 MHz / Europe, nickel	Cat. No. 503783
SKM 2000XP NI-GW 558 ... 626 MHz / US, nickel	Cat. No. 503881
SKM 2000 NI-BW 626 ... 698 MHz, nickel	Cat. No. 503784
SKM 2000 NI-BW-X 626 ... 698 MHz / Europe, nickel	Cat. No. 503785

SKM 2000XP NI-BW 626 ... 698 MHz / US, nickel	Cat. No. 503883
SKM 2000 NI-CW 718 ... 790 MHz, nickel	Cat. No. 503786
SKM 2000 NI-CW-X 718 ... 790 MHz / Europe, nickel	Cat. No. 503787
SKM 2000 NI-DW 790 ... 865 MHz, nickel	Cat. No. 503788
SKM 2000 NI-DW-X 790 ... 865 MHz / Europe, nickel	Cat. No. 503789

RECOMMENDED ACCESSORIES

MMK 965 NI true condenser mic head, nickel	Cat. No. 502584
MMK 965 BK true condenser mic head, black	Cat. No. 502582
MMK 965 BL true condenser mic head, dark blue	Cat. No. 502583
MMD 945 BK dynamic mic head, super-cardioid, black	Cat. No. 502579
MMD 945 BL dynamic mic head, super-cardioid, dark blue	Cat. No. 500261
MMD 935 BK dynamic mic head, cardioid, black	Cat. No. 502577
MMD 935 BL dynamic mic head, cardioid, dark blue	Cat. No. 502578
MME 865 BK condenser mic head, super-cardioid, black	Cat. No. 502581
MMD 845 BK dynamic mic head, super-cardioid, black	Cat. No. 502576
MMD 835 BK dynamic mic head, cardioid, black	Cat. No. 502575
BA 2015 rechargeable pack	Cat. No. 09950
L 2015 charging unit	Cat. No. 09928
LA 2 charging adapter for L 2015	Cat. No. 503162

Contact your local Service Partner:

Sennheiser electronic GmbH & Co. KG
 Am Labor 1, 30900 Wedemark, Germany
www.sennheiser.com