



# Tourguide 2020-D

## SKM 2020-D



SKM 2020-D, speaking into a hand-held microphone is the easiest way to address your audience. Should a tour participant pose a question, just hand over the microphone and everything will get clearly through to everybody. Interviewing an expert in front of your audience will make your tour even more interesting. The SKM 2020-D efficiently attenuates unwanted background noise. The transmitter is easy and comfortable to operate and highly robust.

Check the back-lit display for channel and battery status. The rechargeable battery lasts for a tour of 8 hours straight. After the tour, simply quick-charge the battery pack in the charging case EZL 2020-20 L which has an extra slot to charge and store a spare pack.

### SPECIFICATIONS

Modulation	2 FSK (46K0F1D)
Frequency range	863 – 865 MHz
Frequency range (US)	926 – 928 MHz
Channels	6
RF output power	10 mW
RF output power (US)	max. 50 mV/m (distance: 3 m)
AF frequency response	100 – 7,000 Hz
Operating time	typ. 8 h
Power supply	BA 2015 accupack, 2.4 V or 2 AA size batteries, 1.5 V
Temperature range	0 – 50 °C
Dimensions	approx. Ø 50 x 225 mm
Weight	approx. 422 g (incl. BA 2015 accupack)

### FEATURES

- Digital RF signal transmission
- 6 channels in the licence-free frequency range
- Roughed stage-proven housing
- Ideal in noisy environments
- Backlit display for channel and battery status

### DELIVERY INCLUDES

- SKM 2020-D
- BA 2015
- Quick Guide

### PRODUCT VARIANTS

SKM 2020-D-US	Art. no. 500895
SKM 2020-D	Art. no. 500894

### ACCESSORIES

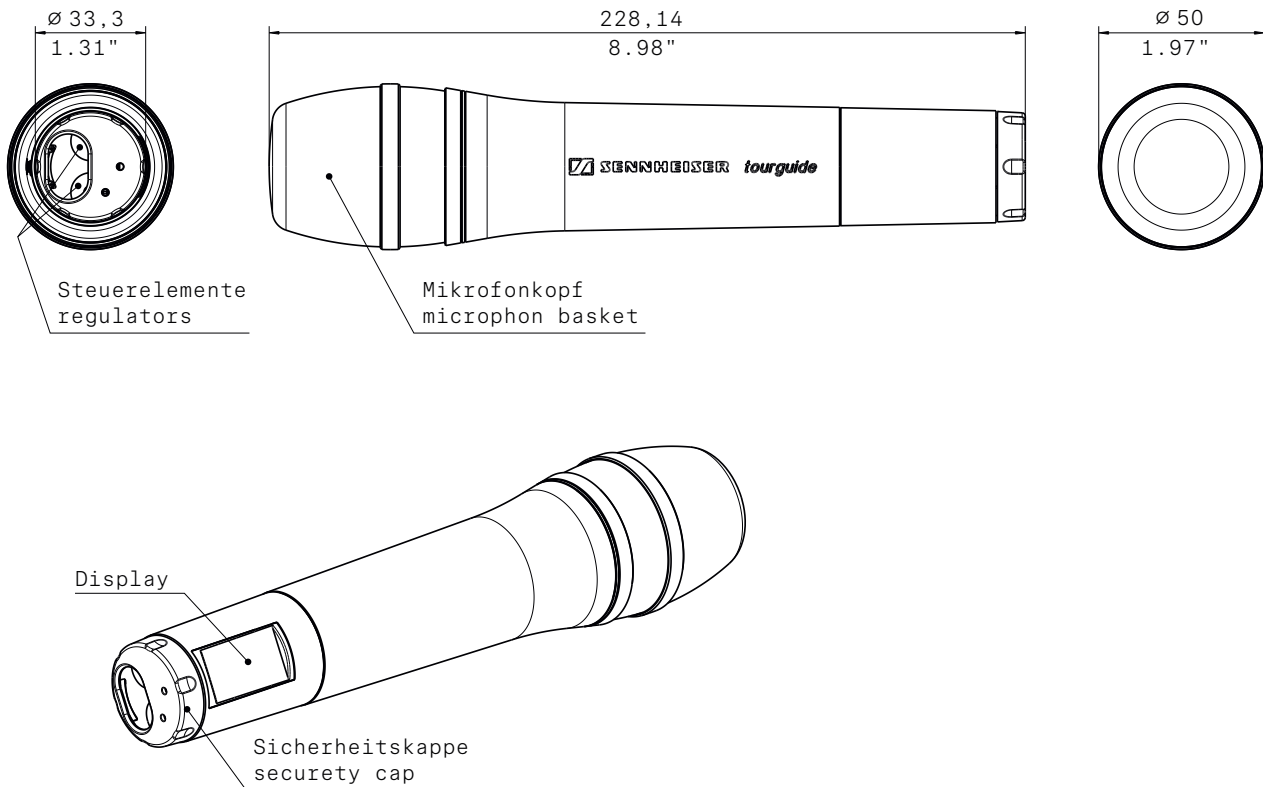
EZL 2020-20 L	Charging case	Art. no. 500542
L 2015	Quick-charging unit	Art. no. 009828



# Tourguide 2020-D

## SKM 2020-D

### DIMENSIONS



### ARCHITECT'S SPECIFICATION

The device shall be a portable digital handheld microphone transmitter for use with companion receivers as part of a larger tour guide system. The portable digital handheld microphone transmitter shall be made available in select versions to operate within in license-free transmission frequency ranges designated as 863 – 865 MHz, and 926 – 928 MHz (US-version) and shall provide 6 discrete channels of operation. It shall utilize a frequency modulation scheme of 2 frequency-shift keying (FSK). Radio Frequency output power shall be between 10 mW. Signal-to-noise ratio shall be  $> 65$  dB(A) with a total harmonic distortion of  $< 1.0$  %. The integral microphone shall be a dynamic transducer type with a cardioid pick-up pattern. Power shall be supplied to the portable bodypack transmitter by 1 proprietary battery (2.4 Vdc, Sennheiser part number BA 2015) or by 2 AA size batteries (1.5 Vdc each). Operating time shall be approximately 8 hours. Operating range (distance to receiver) shall be up to 50 m indoor and up to 100 m outdoor.

The portable digital handheld microphone transmitter shall include a backlit user display showing channel and battery status. The portable digital handheld microphone transmitter housing shall be fabricated from metal; overall maximum housing dimensions shall be approximately 225 mm long x 50 mm diameter. Weight including battery shall be 422 grams. Operating conditions shall be ambient temperature  $0^{\circ}\text{C}$  to  $+50^{\circ}\text{C}$ .

The portable digital handheld microphone transmitter shall be Sennheiser model SKM 2020-D.