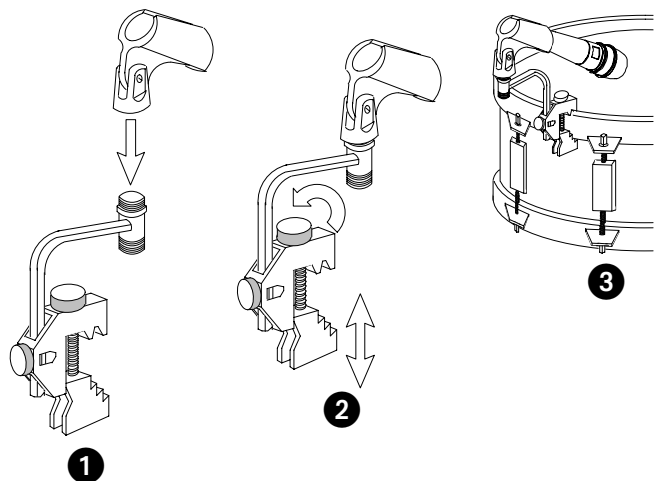


GENERAL

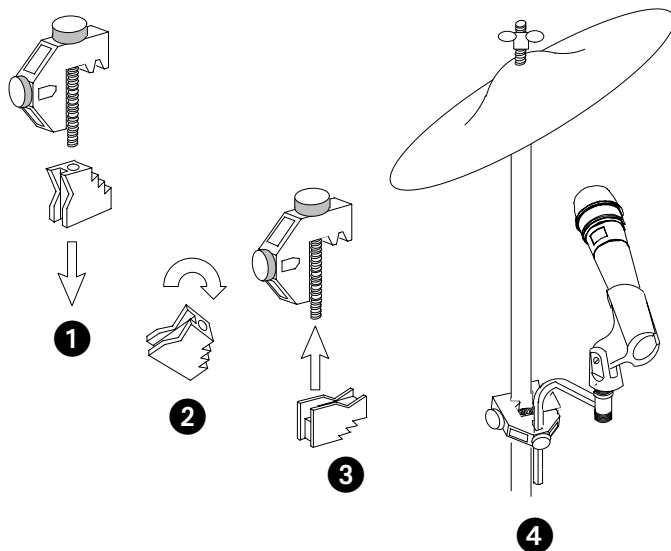
The Shure A56D mounts microphones on a drum or cymbal. It fits stand adapters with a 5/8-in, 27-thread. An L-adapter extension curves at a 90° angle for optimum microphone placement.

The clamp fits drum rims measuring from 1/2-in. (12.7 mm) to 2 1/4 -in. (57.2 mm) in height, or on cymbal stands measuring from 3/8-in. (9.5 mm) to 1 1/8-in. (28.6 mm) in diameter.

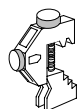
DRUM RIM MOUNTING



CYMBAL STAND MOUNTING



REPLACEMENT PARTS



Clamp Assembly RPM618



Jaw 32A866



L-Adapter Extension 90A4646



5/8"-27 Lock Nut (Large) 31A1857



5/8"-27 Lock Nut (Small) 31B1770

NOTE: To minimize potential noise or damage, position the microphone outside the drummer's range of stick movement and cymbal movement.



SHURE Incorporated Web Address: <http://www.shure.com>
5800 W. Touhy Avenue, Niles, IL 60714-4608, U.S.A.
In U.S.A., Phone: 1-847-600-2000 Fax: 1-847-600-1212
In Europe, Phone: 49-7131-72140 Fax: 49-7131-721414
In Asia, Phone: 1-852-2893-4290 Fax: 1-852-2893-4055
International Fax: 1-847-600-6446