



---

# MX395 -- Low-Profile Boundary Microphone

---

## General Description

Shure® MX395 low-profile microphones are for use in boardrooms and other sites where aesthetics are important. The MX395 is only 2.5 cm (1 in.) in diameter, and extends just 2 cm above the mounting surface when installed. Despite its small size, the MX395 delivers clear, high quality sound.

## Features

- Low profile, aesthetic design
- Wide dynamic range and smooth frequency response
- RF filtering with CommShield® technology
- Available with logic-controlled bi-color status indicator

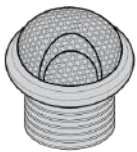
## Model Variations

The MX395 is available in cardioid, omnidirectional, and bidirectional polar patterns, with or without an LED status indicator, with a black, white, or aluminum finish.

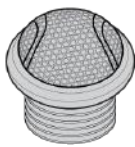
---

## Polar Patterns

The polar pattern is indicated by the molded grille.



Cardioid



Bidirectional



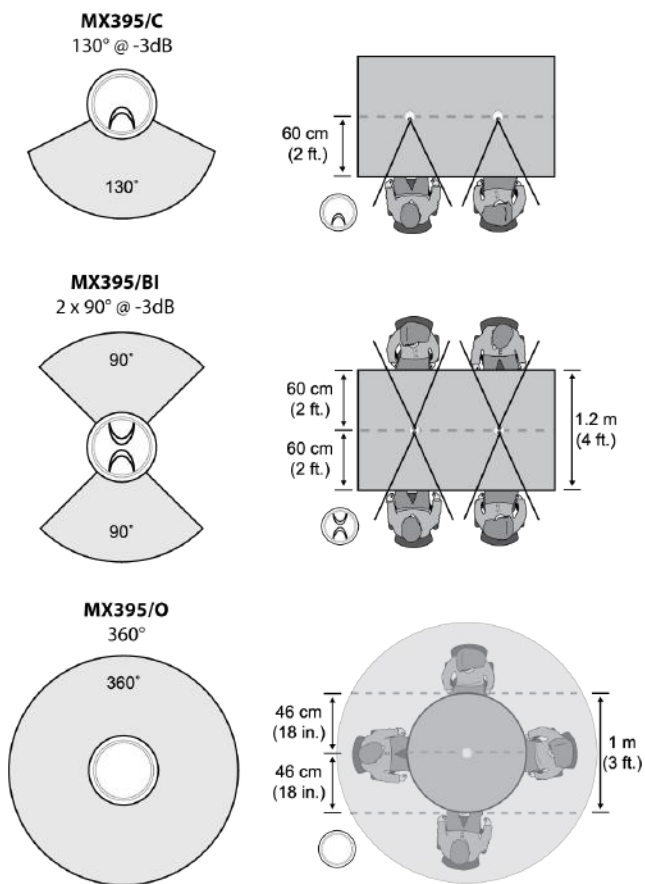
Omnidirectional

---

## Microphone Placement

For best low-frequency response and rejection of background noise, place the microphone on a large, flat surface, such as a floor, table, or lectern.

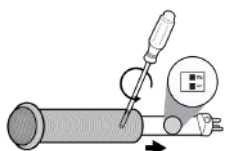
To reduce reverberance, avoid reflective surfaces above or to the side of the microphone, such as beveled sides of pulpits or overhanging shelves.



## DIP Switches

Set DIP Switch 1 up to engage the low cut filter, which attenuates frequencies by 6 dB per octave below 150 Hz.

Switch	Down (default)	Up
1	Full frequency response	Low cut filter
2	--	--



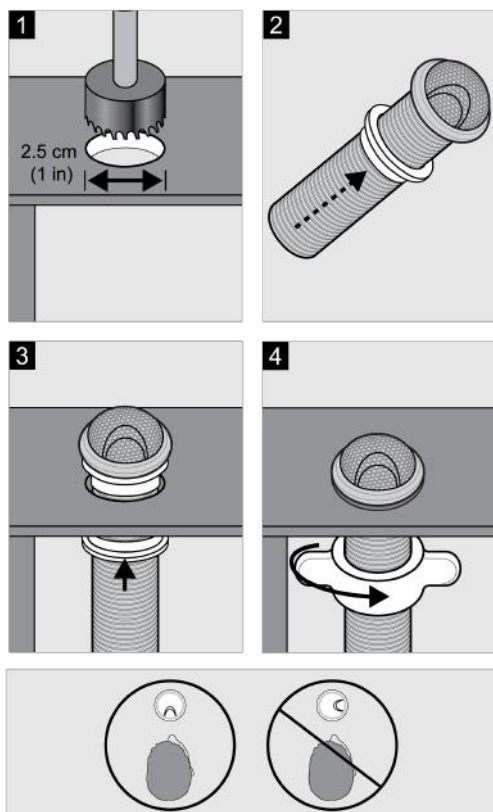
## Installation

Install the microphone into a tabletop as shown.

**Important:**

- Align indentation toward talker

- Do not over tighten the wing nut, as this reduces shock isolation



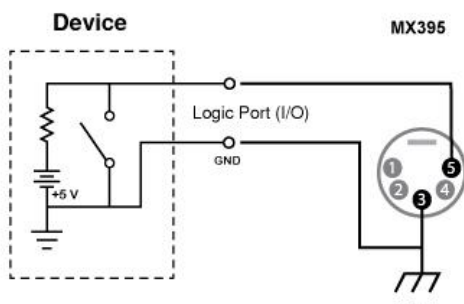
## LED Logic

For models equipped with an LED, use the included 5-pin XLR connector to wire the microphone to an automatic mixer or other logic device.

**Note:** Connect the LED IN to the gate output to illuminate the LED when the channel is gated on.

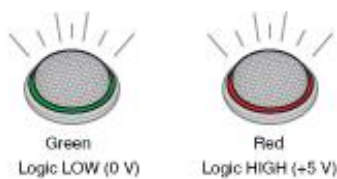
Do not use the relay ports on Crestron and AMX devices. Use the I/O logic ports instead.

The LED logic may not function when connecting to devices that do not have internal "pull-up resistor" logic circuits, such as ClearOne DSP products. External pull-up resistor circuits can be added for each microphone. Visit [www.shure.com/FAQ](http://www.shure.com/FAQ) for detailed instructions.



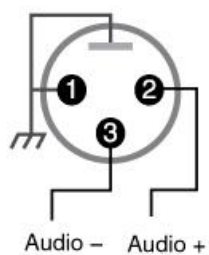
### Logic Connection

Connection to device with internal "pull-up resistor" logic circuit

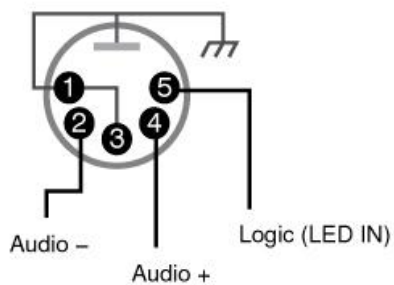


LED Indicator Response to Logic Signal at Pin 5

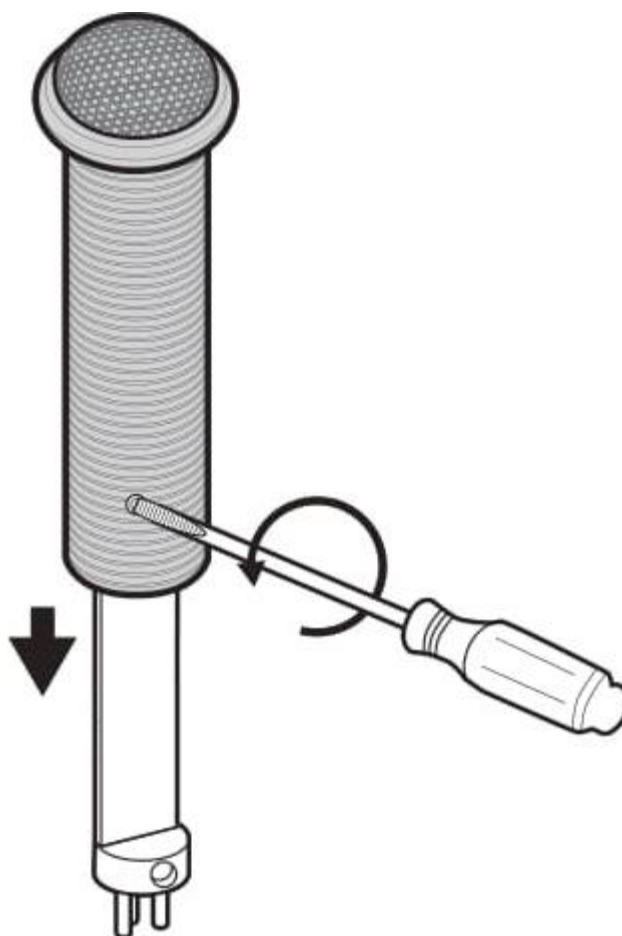
## Pin Assignments



3-Pin XLR

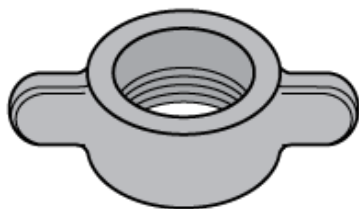


5-Pin XLR



## Accessories

### Furnished Accessories



Wing Nut  
65A2190



Rubber Isolation Ring  
66A405



5-pin XLR, Female  
(MX395-LED variations)  
95A2529

## Specifications

All measurements taken with microphone mounted on a wooden surface (76 x 76 cm)

### Cartridge Type

Electret Condenser

### Frequency Response

50–17000 Hz

### Polar Pattern

MX395/O	Omnidirectional
MX395/C	Cardioid
MX395/BI	Bidirectional

### Output Impedance

170  $\Omega$

**Output Configuration**

Active Balanced

**Sensitivity**

@ 1 kHz, open circuit voltage

Cardioid	-35 dBV/Pa (18 mV)
Omnidirectional	-28 dBV/Pa (42 mV)
Bidirectional	-37 dBV/Pa (14 mV)

1 Pa=94 dB SPL

**Maximum SPL**1 kHz at 1% THD, 1 k $\Omega$  load

Cardioid	121 dB
Omnidirectional	114 dB
Bidirectional	123 dB

**Equivalent Output Noise**

A-weighted

Cardioid	28 dB SPL
Omnidirectional	21 dB SPL
Bidirectional	29 dB SPL

**Signal-to-Noise Ratio**

Ref. 94 dB SPL at 1 kHz

Cardioid	66 dB
Omnidirectional	73 dB
Bidirectional	65 dB

**Dynamic Range**1 k $\Omega$  load, @ 1 kHz

Cardioid	93 dB
Omnidirectional	93 dB
Bidirectional	94 dB

**Common Mode Rejection**

10 to 100,000 kHz

45 dB, minimum

**Preamplifier Output Clipping Level**

at 1% THD

-8 dBV (0.4 V)

**Logic Connections**

LED IN	Active low ( $\leq 1.0V$ ), TTL compatible. Absolute maximum voltage: -0.7V to 50V.
--------	---

**Net Weight**

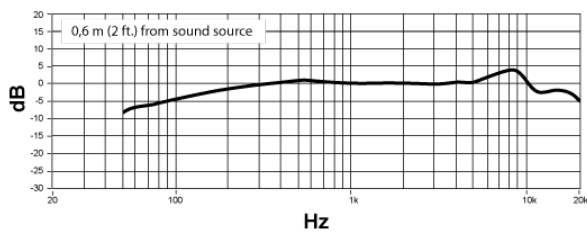
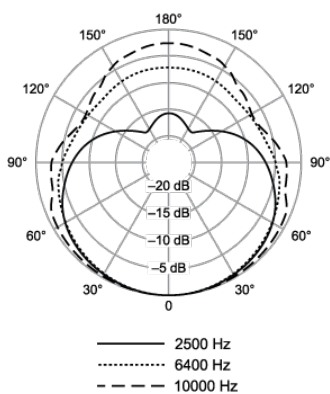
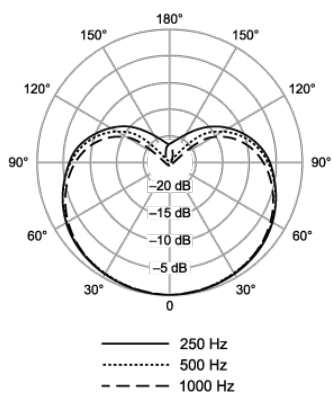
136 g (0.30 lbs)

**Environmental Conditions**

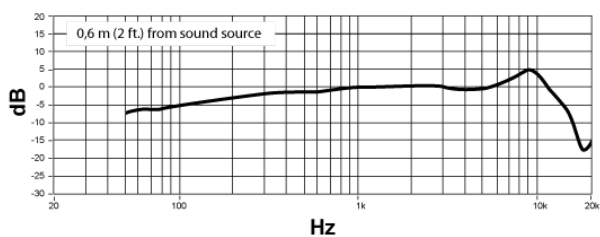
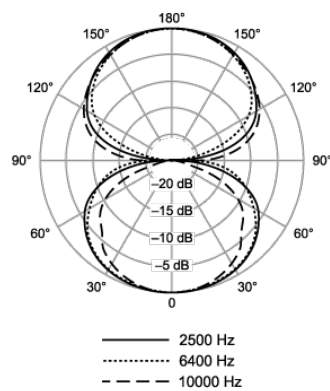
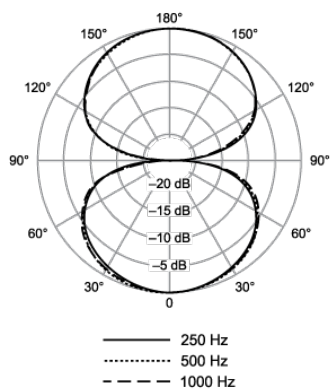
Operating Temperature	-18–57°C (0–135°F)
Storage Temperature	-29–74°C (-20–165°F)
Relative Humidity	0–95%

**Power Requirements**

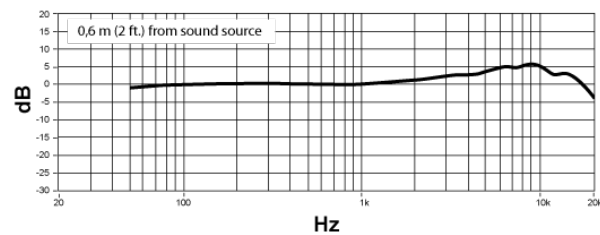
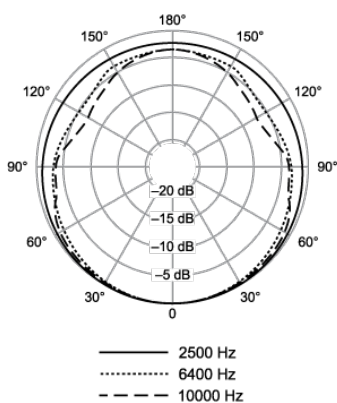
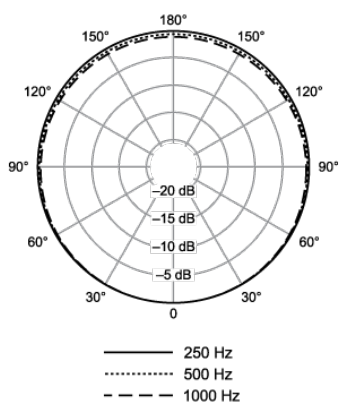
MX395	11–52 V DC, 2.0 mA
MX395-LED	48–52 V DC, 8.0 mA



MX395/C

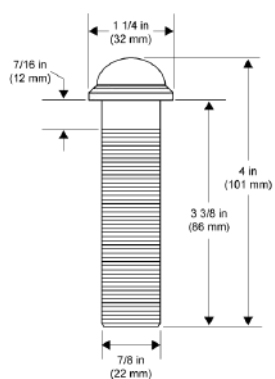


MX395/B1



MX395/O





## Certifications

This product meets the Essential Requirements of all relevant European directives and is eligible for CE marking.

The CE Declaration of Conformity can be obtained from: [www.shure.com/europe/compliance](http://www.shure.com/europe/compliance)

Authorized European representative:

Shure Europe GmbH

Headquarters Europe, Middle East & Africa

Department: EMEA Approval

Jakob-Dieffenbacher-Str. 12

75031 Eppingen, Germany

Phone: +49-7262-92 49 0

Fax: +49-7262-92 49 11 4

Email: [info@shure.de](mailto:info@shure.de)