



Models RK183PK and RK183PKW Microflex® Preamplifier Kit User's Guide

INSTALLATION - RK183PK (BLACK)

The RK183PK preamp comes assembled for use with microphones using a miniature 4-pin connector. To wire a microphone cable directly to the preamp, follow these instructions:

1. Turn screw (A) counter-clockwise until it recedes below the case.
2. Remove the cap (C) by removing the set screw (B) with the provided hex wrench (.05 in.).

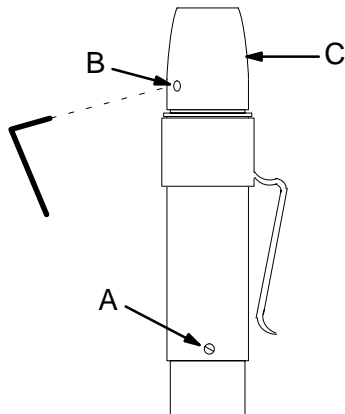


FIGURE 1

3. Push the circuit board out from the case interior to expose the screw terminal (D).
4. Remove the wires from the screw terminal (D) by loosening the set screws (E).

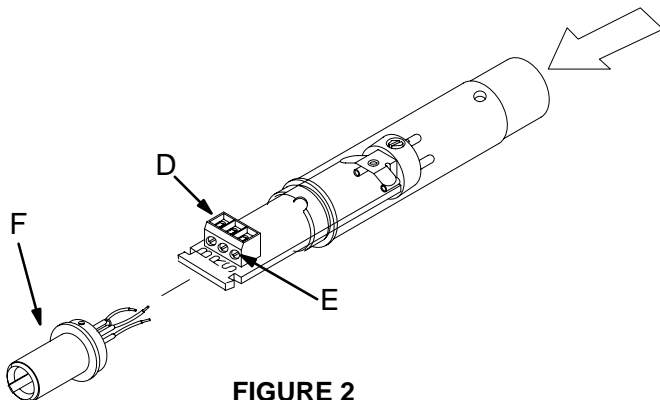


FIGURE 2

5. Insert the enclosed rubber flex relief (G) into the cap (C) and feed through the microphone cabling.

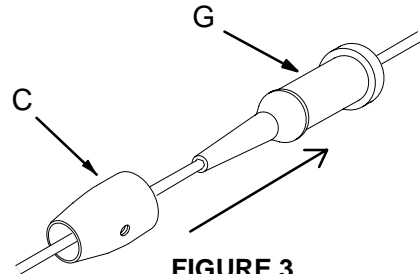


FIGURE 3

6. Insert the wires from the microphone cabling into the screw terminal (D) and tighten the wire set screws (E). Match wires as marked on the circuit board using the following key:

B = Black (negative)
R = Red (positive)
S (ground) = Shield (Uncoated)/White

7. Wrap the microphone cabling around the side notches in the circuit board (as shown below) to provide strain relief.

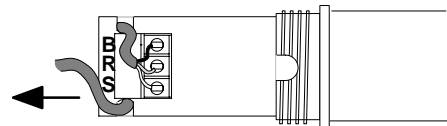


FIGURE 4

8. Push the circuit board back into the case, making sure that the set screw (A) is lined up with the screw hole in the side of the case (if the circuit board does not go in all the way, twist it slightly until the screw and hole are aligned). Raise the set screw (A) by turning clockwise so that the preamplifier is held securely in place. Screw on the cap (C). Do not use the set screw with the cap.

INSTALLATION - RK183PKW (WHITE)

The RK183 PKW is to be used with the MX202W series microphone and has the strain relief (G) pre-installed. The cap (C) has no set screw (B), and the beltclip and the miniature connector are not included.

1. Turn screw (A) counter-clockwise until it recedes below the case.
2. Unscrew and remove the cap (C).
3. Push the circuit board from the bottom of the case to expose the screw terminals.
4. Feed the microphone cabling through the flex relief/cap assembly.
5. Perform steps 6,7, and 8 of the above installation directions for the RK183PK.



SHURE Incorporated Web Address: <http://www.shure.com>
5800 W. Touhy Avenue, Niles, IL 60714-4608, U.S.A.
In U.S.A., Phone: 1-847-600-2000 Fax: 1-847-600-1212
In Europe, Phone: 49-7131-72140 Fax: 49-7131-721414
In Asia, Phone: 1-852-2893-4290 Fax: 1-852-2893-4055
International Fax: 1-847-600-6446



PIN-OUT FOR SHURE BODYPACK TRANSMITTERS AND PREAMPS

Product Model	Wiring
<ul style="list-style-type: none">• Wireless bodypack transmitters - all models with TA4M connectors• MX1BP Battery/Phantom Preamplifier• RK183PK Microflex Preamplifier (see below for RF Resistant RK100PK preamp model)• RPM626 BETA Preamplifier	Pin 1: Shield Pin 2: Bias (+5Vdc) Pin 3: Audio Pin 4: Bias return - 20 k Ohm resistor to ground or equivalent active bias management circuit (jumped to pin 3 when used with most condenser microphones)
<ul style="list-style-type: none">• RK100PK Wired Preamplifier	Connector Body: Shield Pin 1: Unused Pin 2: Bias (+5Vdc) Pin 3: Audio Pin 4: Bias return - active bias management circuit (jumped to pin 3 when used with most condenser microphones)



The pictorial shows the pin layout of a TA4F connector, as viewed from the wiring side. If you use a bright light and look at the female connector (TA4F) used for the cable, you will see numbers next to each hole.

Applications:

Condenser Microphones - Shure WH30, PG30, WL18x, WL50, WL51, WL93, etc.

- Connect audio lead (black) to pins 3 and 4
- Connect bias lead (red) to pin 2
- Connect shield to pin 1 and connector body (use cable clamp insert piece as the connector body terminal)