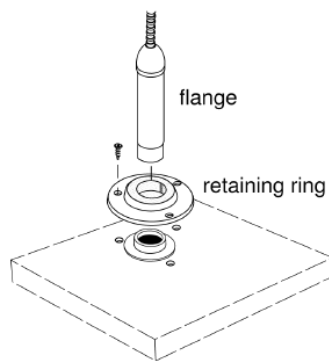
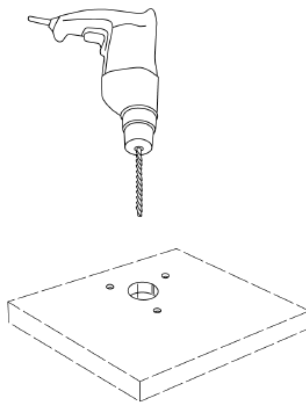


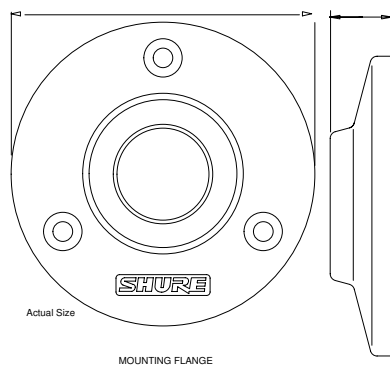


1. Drill a 22 mm (7/8 in.) diameter hole in the desired location.
2. Trace and drill three starter holes for the supplied screws using the flange as a template.
3. Insert the preamplifier through the mounting flange.
4. Slip the mounting flange retaining ring over the bottom of the preamplifier and slide it up until it is flush to the bottom of the flange. Then press the ring firmly into place.
5. Secure the flange to the mounting surface with three screws.



66.55mm (2.62 in.)

14.40mm (0.56 in.)



Actual Size

MOUNTING FLANGE

DIMENSIONS