


**SHURE**<sup>®</sup>  
LEGENDARY  
PERFORMANCE<sup>™</sup>


SVXワイヤレス  
SVX 無線系統  
SVX 무선 시스템



## SAFETY PRECAUTIONS

The possible results of incorrect use are marked by one of the two symbols - "WARNING" AND "CAUTION" - depending on the imminence of the danger and the severity of the damage.

 **WARNING:** Ignoring these warnings may cause severe injury or death as a result of incorrect operation.

 **CAUTION:** Ignoring these cautions may cause moderate injury or property damage as a result of incorrect operation.

### WARNING

- If water or other foreign objects enter the inside of the device, fire or electric shock may result.
- Do not attempt to modify this product. Doing so could result in personal injury and/or product failure.


**WARNING:** This product contains a chemical known to the State of California to cause cancer and birth defects or other reproductive harm


### CAUTION

- Never disassemble or modify the device, as failures may result.
- Do not subject to extreme force and do not pull on the cable or failures may result.
- Keep the microphone dry and avoid exposure to extreme temperatures and humidity.

## 安全にお使いいただくために

危険や損害の大きさと切迫の程度を明示するために、誤った扱いをすると生じることが想定される内容を次の定義のように「警告」「注意」の二つに区分しています。

 **警告:** この表示内容を無視して誤った取り扱いをすると、死亡または重傷を負う可能性が想定される内容です。

 **注意:** この表示内容を無視して誤った取り扱いをすると、傷害を負う可能性または物的損害が発生する可能性が想定される内容です。

### 警告


- 水や異物が入ると火災や感電の原因となります。
- 本製品の改造は試みないでください。改造した場合には怪我や製品故障の原因となります。


### 注意

- 分解・改造は故障の原因となりますので絶対におやめください。
- 無理な力を与えたり、ケーブルを引っ張ったりしないでください。故障の原因となります。
- マイクロホンは濡らさないようにしてください。極度の高温・低温や湿気にさらさないでください。

## 안전 유의 사항

잘못된 사용으로 발생할 수 있는 결과는 위험의 절박한 정도나 피해의 심각성에 따라, “경고”나 “주의” 두 가지 기호 중 하나로 표시하였습니다.

 **경고:** 이 경고를 무시하면 올바르지 못한 작동의 결과로 심각한 부상이나 사망이 유발될 수 있습니다.

 **주의:** 이 주의를 무시하면 올바르지 않은 동작의 결과로 가벼운 부상이나 재산 상의 손실이 유발될 수 있습니다.

### 경고

- 물이나 이물질이 기기 내부에 들어가면 화재나 감전을 초래할 수 있습니다.
- 이 제품을 개조하려고 시도하지 마십시오. 상해를 입거나 제품이 고장을 일으킬 수 있습니다.

### 주의

- 고장을 일어날 수 있으므로 기기를 절대로 분해하거나 개조하지 마십시오.
- 과도한 충격을 가하거나 케이블을 잡아당기지 마십시오. 고장이 일어날 수 있습니다.
- 마이크를 건조한 상태로 유지하고 고온이나 습도에 노출시키지 마십시오.

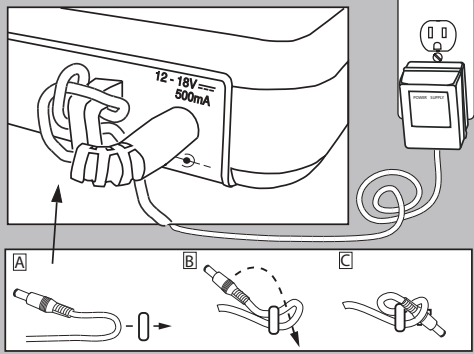
# Quick Setup

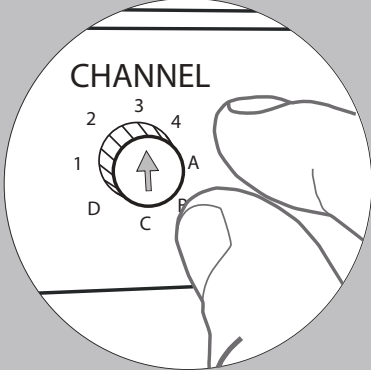
## クイックセットアップ

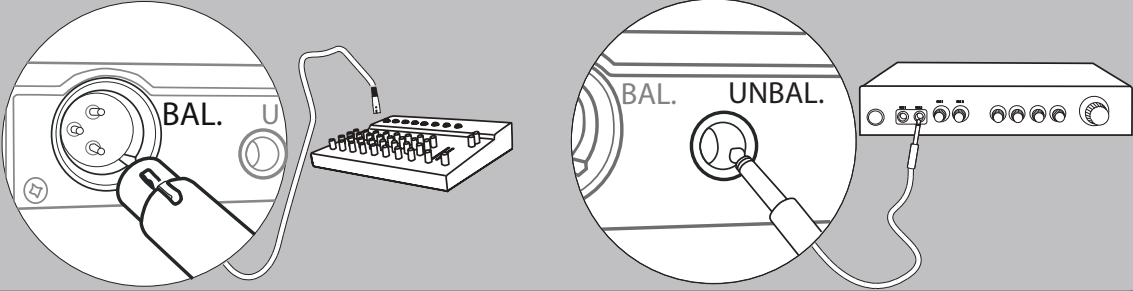
### 快速設置

### 빠른 설정

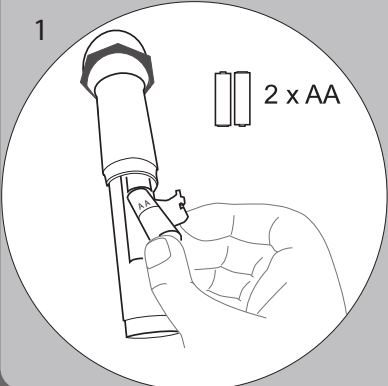
**SVX4**

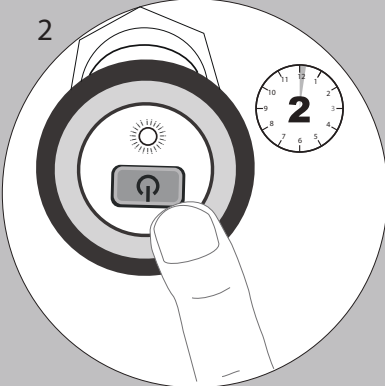
1 

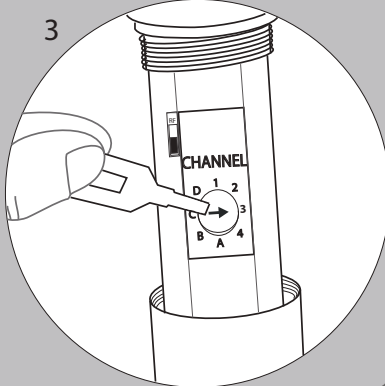
2 

3 

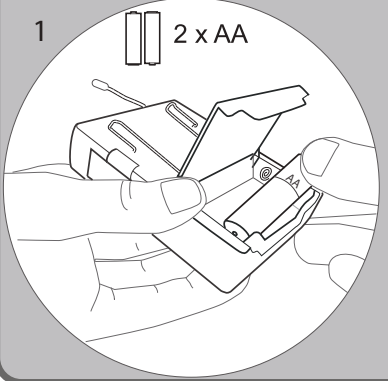
**SVX2**

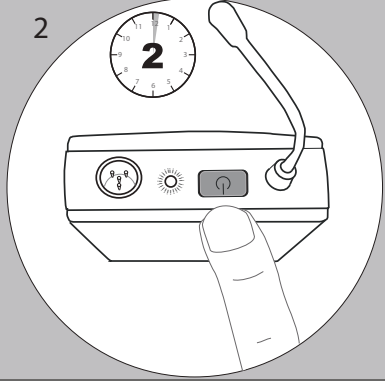
1 

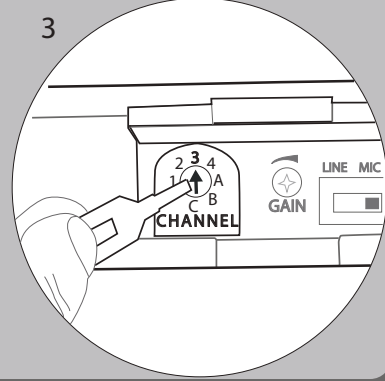
2 

3 

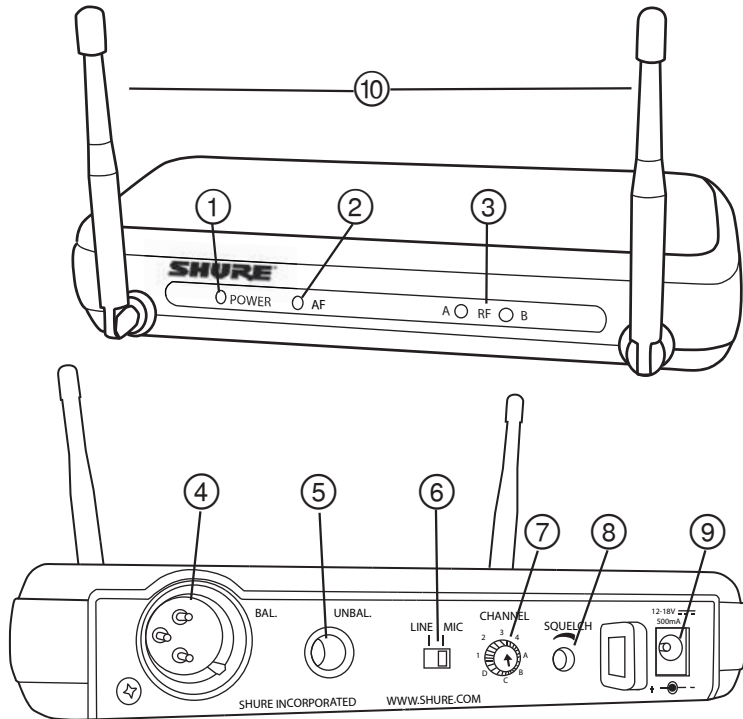
**SVX1**

1 

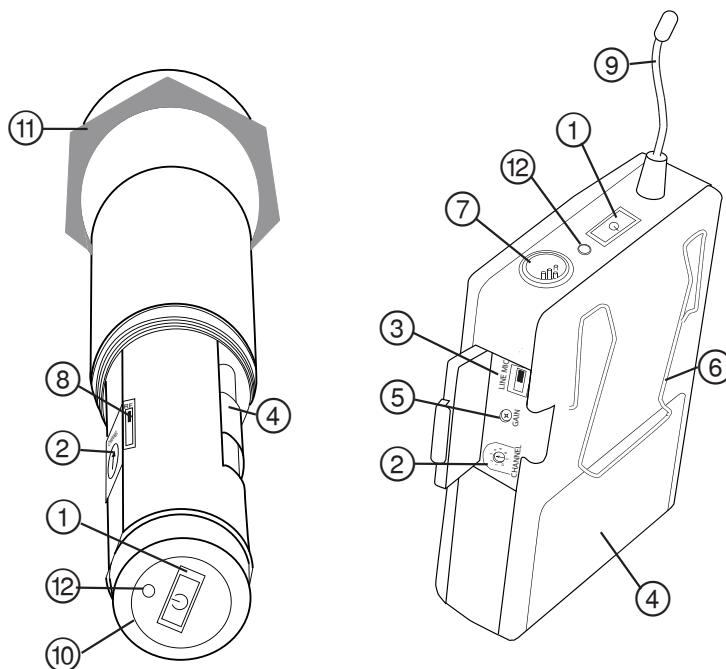
2 

3 

- ① Power LED light
- ② Audio Frequency LED light
- ③ Radio Frequency Diversity
- ④ Balanced output (XLR)
- ⑤ Unbalanced output (6.35mm)
- ⑥ Audio output level (line/mic)
- ⑦ Channel selection dial
- ⑧ Squelch dial
- ⑨ Power adapter input
- ⑩ Antennas



- ① Power button
- ② Channel selection dial
- ③ Audio input level (line/mic)
- ④ Battery compartment
- ⑤ Transmitter gain dial
- ⑥ Belt clip
- ⑦ Mic input (PG185 Lavalier or PG30 Headworn)
- ⑧ Radio Frequency (RF) level
- ⑨ Antenna
- ⑩ Color ID rings
- ⑪ Anti-roll ring
- ⑫ Power LED light



# System Components

## All Systems

- SVX4 Receiver
- PS21 Power Supply
- Channel Selector Tool
- 2 AA batteries

## Handheld Transmitter

- SVX2 Handheld Microphone Transmitter
- Microphone Stand Adaptor

## Bodypack Transmitter

- SVX1 Bodypack Transmitter
- Microphone
  - PG185 Lavalier microphone
  - OR**
  - PG30 Headworn microphone

## Power

Plug in the power adapter to turn on the receiver. There is no power switch.

Insert 2 AA batteries into the transmitter. Hold the power button for two seconds to turn on.

## Connecting to a Sound System

Connect the balanced XLR output on the receiver to a MIC or LINE input. Set the LINE MIC switch accordingly.

If there is no XLR input, connect the unbalanced 6.35 mm (1/4 inch) receiver output to a LINE input. Set the LINE MIC switch to LINE.

## Channel

Set the transmitter and the receiver to the same frequency using the channel dial.

Note: If using a dual system (or more than one single system), assign each input to a different channel within the same group (channels 1-4 or channels A-D). This ensures the best signal quality.

## Bodypack Gain

The gain dial controls the audio volume sent to the receiver.

- Turn down the gain if the audio signal sounds distorted.
- Turn up the gain if the AF LED light is faint or the audio is too low.

## Squelch

Squelch controls the amount of RF signal that the receiver picks up.

- Turn up the squelch dial (clockwise) to remove ambient noise from unwanted RF sources.
- Turn down the squelch dial (counterclockwise) if the microphone is not transmitting clearly to the receiver.

## RF Level

This switch sets the RF level of the handheld transmitter. It does not affect the audio volume.

- Set to LO to avoid interfering with other receivers when in a building with multiple systems.
- Set to HI for transmitting over a greater distance when using a single system.

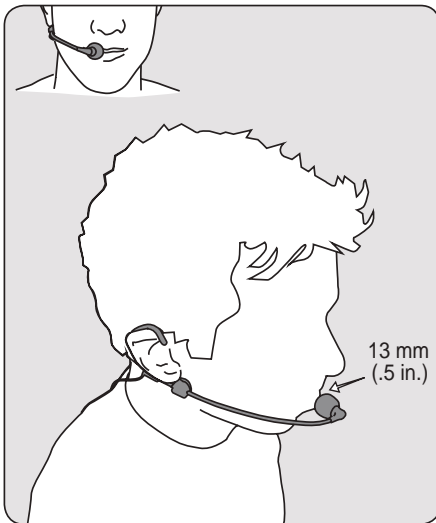
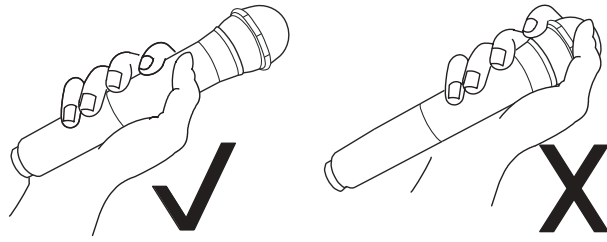
## Color ID Rings

Slide these color rings over the handle of the microphone to identify them. (Sold in a package of six as an optional accessory.)

# Getting Good Sound

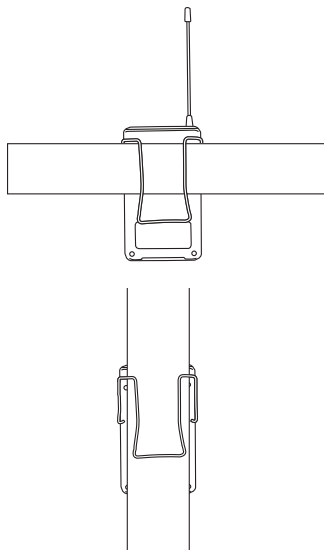
## Correct Microphone Placement

- Hold the microphone within 12 inches from the sound source. For a warmer sound with increased bass presence, move the microphone closer.
- Do not cover grille with hand.



## Wearing the Headworn Microphone

- Position the headworn microphone 13 mm (1/2 in.) from the corner of your mouth.
- Position lavalier and headworn microphones so that clothing, jewelry, or other items do not bump or rub against the microphone.



## Wearing the Bodypack Transmitter

- Clip the transmitter to a belt or pocket.
- For best results, the belt should be pressed against the base of the clip.

# Wireless Tips to Improve System Performance

If you encounter wireless interference or dropouts, try the following suggestions:

- Replace the transmitter batteries
- Choose a different frequency channel
- Reposition the antennas so there is nothing obstructing a line of sight to the transmitter (including the audience)
- Avoid placing transmitter and receiver where metal or other dense materials may be present
- Move the receiver to the top of the equipment rack
- Remove nearby sources of wireless interference, such as cell phones, two-way radios, computers, media players, and digital signal processors
- Keep transmitters more than two meters (6 feet) apart
- Keep the transmitter and receiver more than 5 meters (16 feet) apart
- Keep them away from large metal objects
- During sound check, mark trouble spots and ask presenters or performers to avoid those areas

## Troubleshooting

Problem	Solution
<b>No sound</b>	<ul style="list-style-type: none"> <li>• Check the power supply of the microphone and receiver.</li> <li>• Ensure that the batteries are inserted correctly.</li> <li>• Set the transmitter and receiver to the same channel.</li> <li>• Check that the receiver is connected to the input on the audio mixer or amplifier.</li> <li>• Check that the transmitter is not too far away from the receiver.</li> <li>• Decrease (counterclockwise) the squelch.</li> <li>• Set the bodypack audio input switch to MIC.</li> <li>• Make sure that the receiver has a clear, line-of-sight path to the transmitter.</li> <li>• Keep the receiver away from metal objects.</li> </ul>
<b>Noise from RF interference</b>	<ul style="list-style-type: none"> <li>• Replace the transmitter batteries.</li> <li>• Check the receiver antenna location. Make sure there is a clear path between the receiver and the transmitter.</li> <li>• When using two or more systems simultaneously, chose different channels within the same group (channels 1-4 or channels A-D).</li> <li>• Turn off or relocate possible sources of interference such as cell phones, radios, or other electronic devices.</li> <li>• Increase squelch (clockwise) to restrict the receiver from picking up ambient noise.</li> <li>• Unplug any unused receivers</li> </ul>
<b>Audio distortion</b>	<ul style="list-style-type: none"> <li>• Adjust levels on the mixer board or sound system.</li> <li>• Make sure all cables are securely connected from the receiver to the sound system.</li> <li>• If using a bodypack transmitter, lower the gain settings.</li> </ul>

# ACCESSORIES AND PARTS

## Optional Accessories

Color Rings (6)	WACR
Single Channel Rack Mount Kit	WASRM
Dual Channel Rack Mount Kit	WADRM

## Replacement Parts

Channel Key	53A14226
Microphone Stand Adapter	95A14227
PS21 Power Supply	95A14220

See your local Shure distributor for assistance

## Frequency Chart

Band	Range (MHz)
P12	698–710
P14	710–726
P16	726–742
Q16	742–758
Q18	758–774
R23	774–787
R25	794–806
JB1	806–810
X9	925–932
NZ	558–570

### NOTE:

This Radio equipment is intended for use in musical professional entertainment and similar applications.

This Radio apparatus may be capable of operating on some frequencies not authorized in your region. Please contact your national authority to obtain information on authorized frequencies and RF power levels for wireless microphone products.



# SPECIFICATIONS

## Working Range (Line of Sight)

HI power mode: 75 m (250 ft)

LO power mode: 18 m (60 ft)

Note: Actual range depends on RF signal absorption, reflection and interference.

## Audio Frequency Response

50 Hz to 15 kHz

Note: Dependent on microphone type

## Total Harmonic Distortion (Ref. $\pm 48$ kHz deviation, 1 kHz tone)

<1%

## Dynamic Range

90 dB A-weighted, typical

## Operating Temperature Range

-10°C (14°F) to 50°C (122°F)

Note: Battery characteristics may limit this range.

## Transmitter Audio Polarity

Positive pressure on microphone diaphragm produces positive voltage on pin 2 (with respect to pin 3 of XLR output) and the tip of the 6.35 mm (1/4-inch) output.

# SVX1 Bodypack Transmitter

## Audio Input Level

MIC: -7 to -15 dBV

LINE: 9 to 1 dBV

## Gain Adjustment Range

8 dB

## Input Impedance

MIC setting: 16 k $\Omega$

LINE setting: 120 k $\Omega$

## RF Output (dependent on applicable country regulations)

10 mW maximum

## Dimensions

108 mm X 64 mm X 19 mm (4.25in. X 2.50in. X 0.75in.)

## Weight

90 g (without batteries)

## Housing

Molded ABS

## Power Requirements

2 "AA" size alkaline or rechargeable batteries

## Battery Life

up to 10 hours (alkaline)

# SVX2 Handheld Transmitter

## Audio Input Level

-20 dBV maximum

## Input Impedance

22 k $\Omega$

## RF Output (dependent on applicable country regulations)

HI power mode: 10 mW maximum

LO power mode: 1 mW maximum

## Dimensions

254 mm X 51 mm diameter (10in. X 2 in.)

## Weight

270 g (10.2 oz.)(without batteries)

## Housing

Molded ABS

## Power Requirements

2 "AA" size alkaline or rechargeable batteries

## Battery Life

up to 10 hours (alkaline)

# SVX4 Receiver

## Dimensions

32 mm X 168 mm X 104.5 mm (1.26 in. x 6.625 in. x 4.2 in.)

## Weight

245 g (11.5 oz.)

## Housing

Molded ABS

## Audio Output Level (Ref. $\pm 48$ kHz deviation with 1 kHz tone)

XLR connector into 100 k $\Omega$  load: -16 dBV (MIC)

6.35 mm (1/4") connector into 100 k $\Omega$  load: -22 dBV (MIC)

## Output Impedance

XLR connector: 600  $\Omega$

6.35 mm (1/4") connector: 600  $\Omega$

## Sensitivity

-105 dBm for 12 dB SINAD, typical

## Image Rejection

>50 dBm, typical

## Power Requirements

12 to 18 V DC @ 130 mA, supplied by external power supply