



AMS Series

AMS 8DC

8" Dual Concentric Surface-Mount Loudspeaker for Installation Applications

AMS 6DC, AMS 6ICT, AMS 6ICT LS

6" Dual Concentric/ICT Surface-Mount Loudspeaker for Installation & Life Safety Installation Applications

AMS 5DC, AMS 5ICT, AMS 5ICT LS

5" Dual Concentric/ICT Surface-Mount Loudspeaker for Installation & Life Safety Installation Applications

EN Important Safety Instructions

Terminals marked with this symbol carry electrical current of sufficient magnitude to constitute risk of electric shock. Use only high-quality professional speaker cables with ¼" TS or twist-locking plugs pre-installed. All other installation or modification should be performed only by qualified personnel.



This symbol, wherever it appears, alerts you to the presence of uninsulated dangerous voltage inside the enclosure - voltage that may be sufficient to constitute a risk of shock.



This symbol, wherever it appears, alerts you to important operating and maintenance instructions in the accompanying literature. Please read the manual.



Caution
To reduce the risk of electric shock, do not remove the top cover (or the rear section). No user serviceable parts inside. Refer servicing to qualified personnel.



Caution
To reduce the risk of fire or electric shock, do not expose this appliance to rain and moisture. The apparatus shall not be exposed to dripping or splashing liquids and no objects filled with liquids, such as vases, shall be placed on the apparatus.



Caution
These service instructions are for use by qualified service personnel only. To reduce the risk of electric shock do not perform any servicing other than that contained in the operation instructions. Repairs have to be performed by qualified service personnel.

1. Read these instructions.
2. Keep these instructions.
3. Heed all warnings.
4. Follow all instructions.
5. Do not use this apparatus near water.
6. Clean only with dry cloth.
7. Do not block any ventilation openings. Install in accordance with the manufacturer's instructions.
8. Do not install near any heat sources such as radiators, heat registers, stoves, or other apparatus (including amplifiers) that produce heat.
9. Do not defeat the safety purpose of the polarized or grounding-type plug. A polarized plug has two blades with one wider than the other. A grounding-type plug has two blades and a third grounding prong. The wide blade or the third prong are provided for your safety. If the provided plug does not fit into your outlet, consult an electrician for replacement of the obsolete outlet.
10. Protect the power cord from being walked on or pinched particularly at plugs, convenience receptacles, and the point where they exit from the apparatus.
11. Use only attachments/accessories specified by the manufacturer.



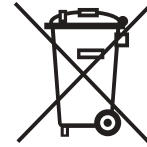
12. Use only with the cart, stand, tripod, bracket, or table specified by the manufacturer, or sold with the apparatus. When a cart is used, use caution when moving the cart/apparatus combination to avoid injury from tip-over.

13. Unplug this apparatus during lightning storms or when unused for long periods of time.

14. Refer all servicing to qualified service personnel. Servicing is required when the apparatus has been damaged in any way, such as power supply cord or plug is damaged, liquid has been spilled or objects have fallen into the apparatus, the apparatus has been exposed to rain or moisture, does not operate normally, or has been dropped.

15. The apparatus shall be connected to a MAINS socket outlet with a protective earthing connection.

16. Where the MAINS plug or an appliance coupler is used as the disconnect device, the disconnect device shall remain readily operable.



17. Correct disposal of this product: This symbol indicates that this product must not be disposed of with household waste, according to the WEEE Directive (2012/19/EU) and your national law. This product should be taken to a collection center licensed for the recycling of waste electrical and electronic equipment (EEE). The mishandling of this type of waste could have a possible negative impact on the environment and human health due to potentially hazardous substances that are generally associated with EEE. At the same time, your cooperation in the correct disposal of this product will contribute to the efficient use of natural resources. For more information about where you can take your waste equipment for recycling, please contact your local city office, or your household waste collection service.

18. Do not install in a confined space, such as a book case or similar unit.

19. Do not place naked flame sources, such as lighted candles, on the apparatus.

20. Please keep the environmental aspects of battery disposal in mind. Batteries must be disposed-of at a battery collection point.

21. Use this apparatus in tropical and/or moderate climates.

LEGAL DISCLAIMER

Music Tribe accepts no liability for any loss which may be suffered by any person who relies either wholly or in part upon any description, photograph, or statement contained herein. Technical specifications, appearances and other information are subject to change without notice.

All trademarks are the property of their respective owners. Midas, Klark Teknik, Lab Gruppen, Lake, Tannoy, Turbosound, TC Electronic, TC Helicon, Behringer, Bugera and Coolaudio are trademarks or registered trademarks of Music Tribe Global Brands Ltd. © Music Tribe Global Brands Ltd. 2018 All rights reserved.

LIMITED WARRANTY

For the applicable warranty terms and conditions and additional information regarding Music Tribe's Limited Warranty, please see complete details online at musictribe.com/warranty.

Zhongshan Eurotec Electronics Limited

No. 10 Wanmei Road, South China
Modern Chinese Medicine Park,
Nanlang Town, 528451, Zhongshan
City, Guangdong Province, China

1. Introduction

Thank you for purchasing this new AMS Series product. Designed for both speech and music program material, the Tannoy AMS range provides exceptional sonic quality and long-term reliability in all surface mount applications. The AMS range offers five models: three featuring a new generation of Dual Concentric drivers and two with an improved version of Tannoy's ICT technology. All new drivers have 16 ohm nominal impedance for optimized use with Lab.gruppen amplifiers. Other features include IP65 rating for outdoor use, high-temperature molded cabinets and custom color options. All AMS loudspeakers include a built-in line transformer.

Because all AMS models are true point-source loudspeakers, they may be mounted horizontally or vertically without affecting performance. All models include a standard mounting yoke; a multi-angle VariBall accessory bracket is available as an option.

2. Safety Notices

Installation Safety Notice

1. The user is responsible for fixing the hardware to the surface to ensure safe operation. The fixings must support the weight of the product. Please consult the manual's specification page for the appropriate weights. Please consult the relevant construction codes in your region for further information on suitable hardware fixing methods.
2. Some regional construction codes require the use of a secondary method of securing loudspeakers to surfaces to provide security of a back-up support. A secondary support line should be attached from the safety loop on the rear of the product to a source point on the wall. Please consult the relevant construction codes in your region.
3. Tannoy will not be held accountable for any damage caused by incorrect installation.

Electrical Safety Notice: To comply with the standard UL1480, metal-clad flexible conduit (BX) is required for connection to the terminal block for proper earth grounding.

Safety Note: In order to comply with the relevant fire safety regulations (i.e. BS 5839:1998), it is required that in the event of fire, that failure of the circuit to which the loudspeaker is connected does not occur before evacuation of the building is complete. Suitable measures include:

- Use of terminal blocks (for connection to primary) with a melting point of not less than 650°C, for example constructed from ceramic materials;
- Use of terminal blocks of a lower melting point but protected with thermal insulation;
- Use of terminal blocks such that, on melting, an open-circuit or a short-circuit does not occur.

3. Unpacking

Every Tannoy product is carefully inspected before shipment. After unpacking, please inspect your product to ensure no damage has occurred in transit. In the unlikely event of damage, please notify your dealer and retain all shipping materials as your dealer may require return shipment.

4. Installation

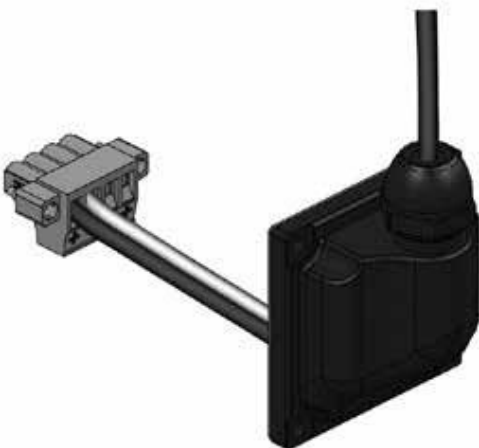
Installation using included yoke bracket

1. Fix the yoke bracket to an appropriate structural surface using a suitable fixing method.
2. Remove the yoke trims from the product to access the bracket fixing points.

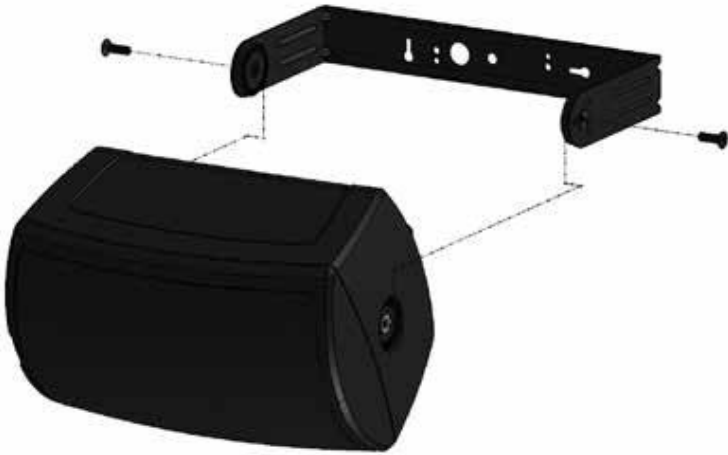


3. Set the transformer tap as detailed in Chapter 5.
4. **For indoor installation** (proceed to step 5 for outdoor installation): Connect the euro-style plug to the wires, observing correct polarity. Use pins 1(+) and 2(−) for connection of the loudspeaker. Use pins 3(−) and 4(+) for connection of additional loudspeakers in a distributed line. NOTE: Tighten pins 3 and 4 even if not used to prevent vibration of the screws.
5. **For outdoor installation:** Feed the loudspeaker wire(s) through the opening in the neck of the cable entry cover included with the product.

Connect the euro-style plug to the wires, observing correct polarity. Use pins 1(+) and 2(−) for connection of the loudspeaker. Use pins 3(−) and 4(+) for connection of additional loudspeakers in a distributed line. NOTE: Tighten pins 3 and 4 even if not used to prevent vibration of the screws.

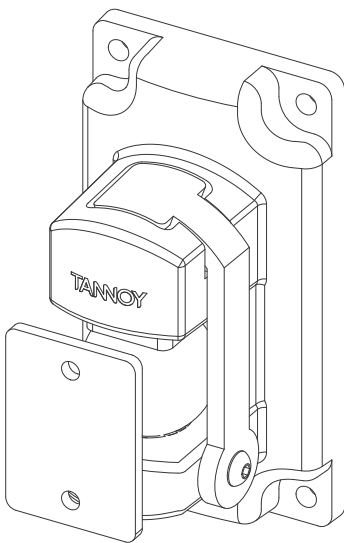


- Place the loudspeaker inside the yoke bracket. Position buffers between bracket and loudspeaker as shown. Attach with supplied fixings using a 5 mm Allen key. Use the longer hex screws supplied when mounting the yoke bracket.

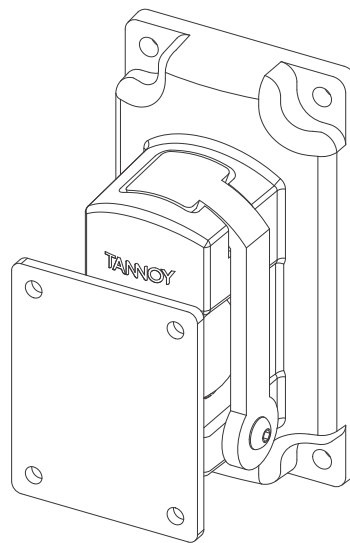


- Connect the euro plug to the loudspeaker. For outdoor installation, attach the cable entry cover using a 3 mm Allen key and the included screws. Orient the cover plate so that the neck opening is facing downward to minimise entry of moisture or particulates.
- Connect a secondary support line to the safety tab at the rear of the cabinet.

Optional multi-angle VariBall bracket



AMS 5 Multi-Angle Bracket



AMS 6 & 8 Multi-Angle Bracket

The optional multi-angle accessory bracket utilises a ball-in-socket design to enable free orientation of the loudspeaker at any angle on either the horizontal or vertical axis. If desired, the loudspeaker orientation can be easily changed within minutes. Download the AMS VariBall accessory bracket documentation for more details.

5. Setting transformer taps

1. The rotary transformer tapping switch is located directly above the wiring connector.

CAUTION: THE LOUDSPEAKER IS SUPPLIED WITH THE TAP SWITCH IN LOW IMPEDANCE MODE. NEVER CONNECT THE LOUDSPEAKER TO A 70/100 V AMPLIFIER OUTPUT WHILE SWITCHED TO LOW IMPEDANCE MODE.

2. Set the rotary switch to the appropriate position for low impedance operation or for use in 70/100 V distributed systems.

Models with 5-inch drivers are fitted with 30 W transformers. In distributed line applications, the transformer can be tapped at 30 W, 15 W and 7.5 W, with an additional 3.75 W tap for 70 V line systems.

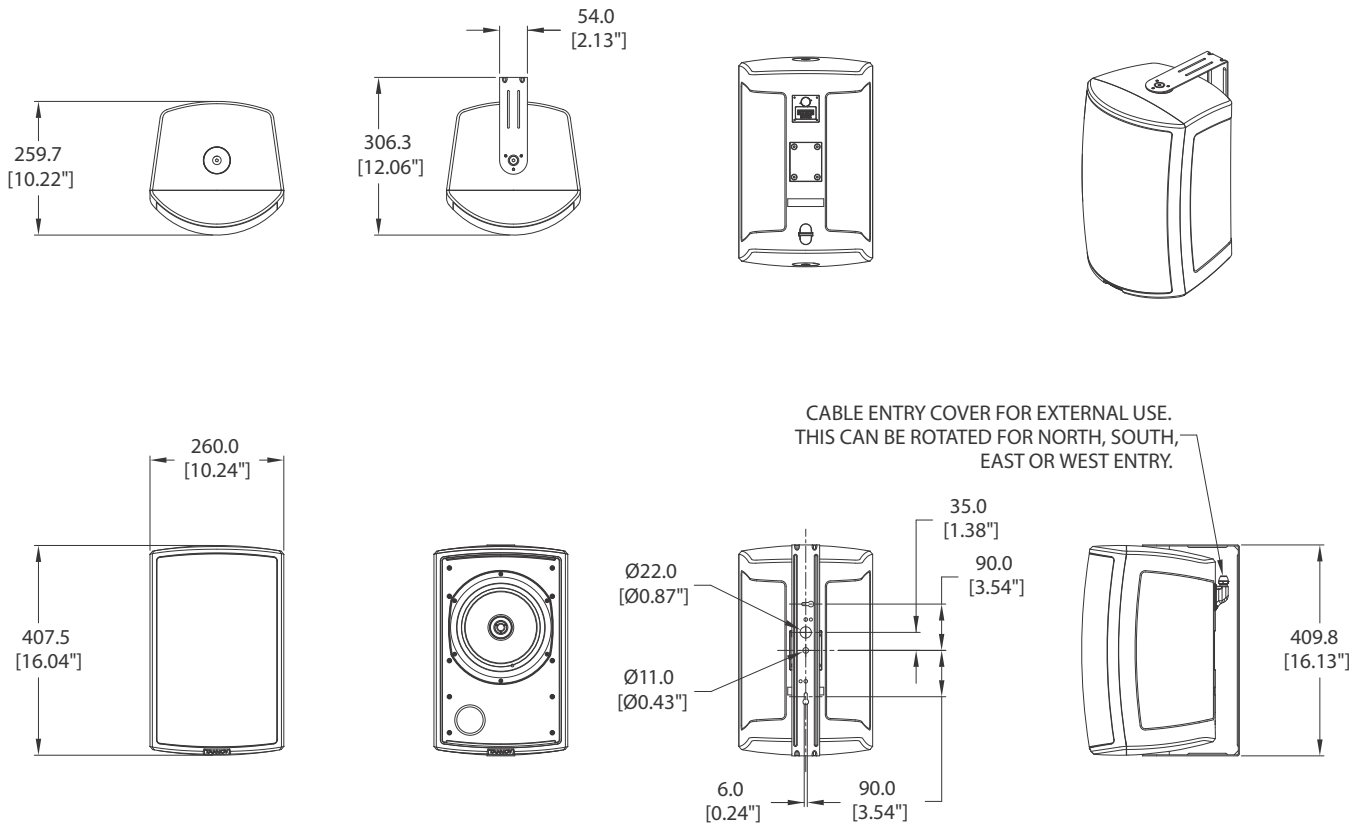


Models with 6-inch and 8-inch drivers are fitted with 60W transformers. In distributed line applications, the transformer can be tapped at 60 W, 30 W and 15 W, with an additional 7.5 W tap for 70 V line systems.

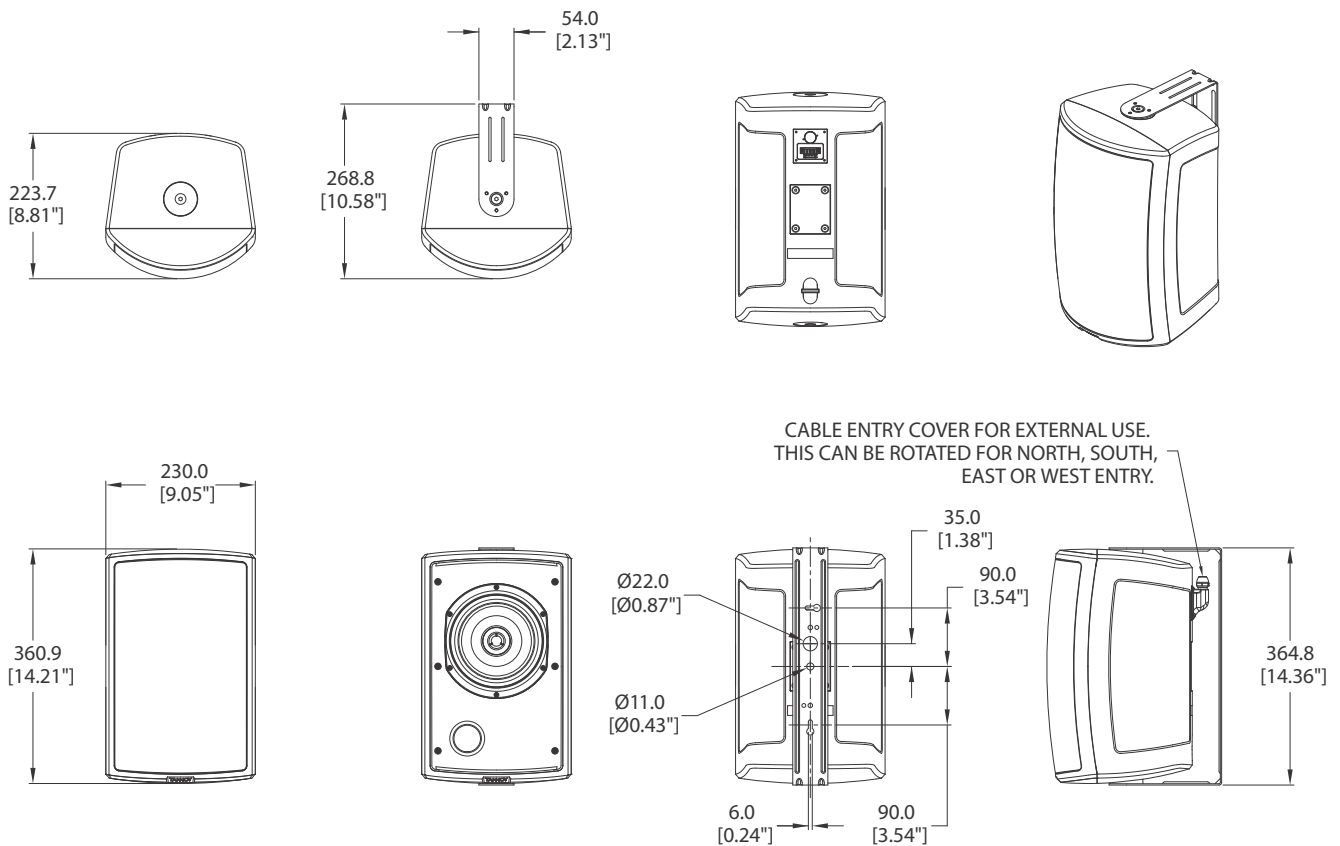


6. Product Dimensions

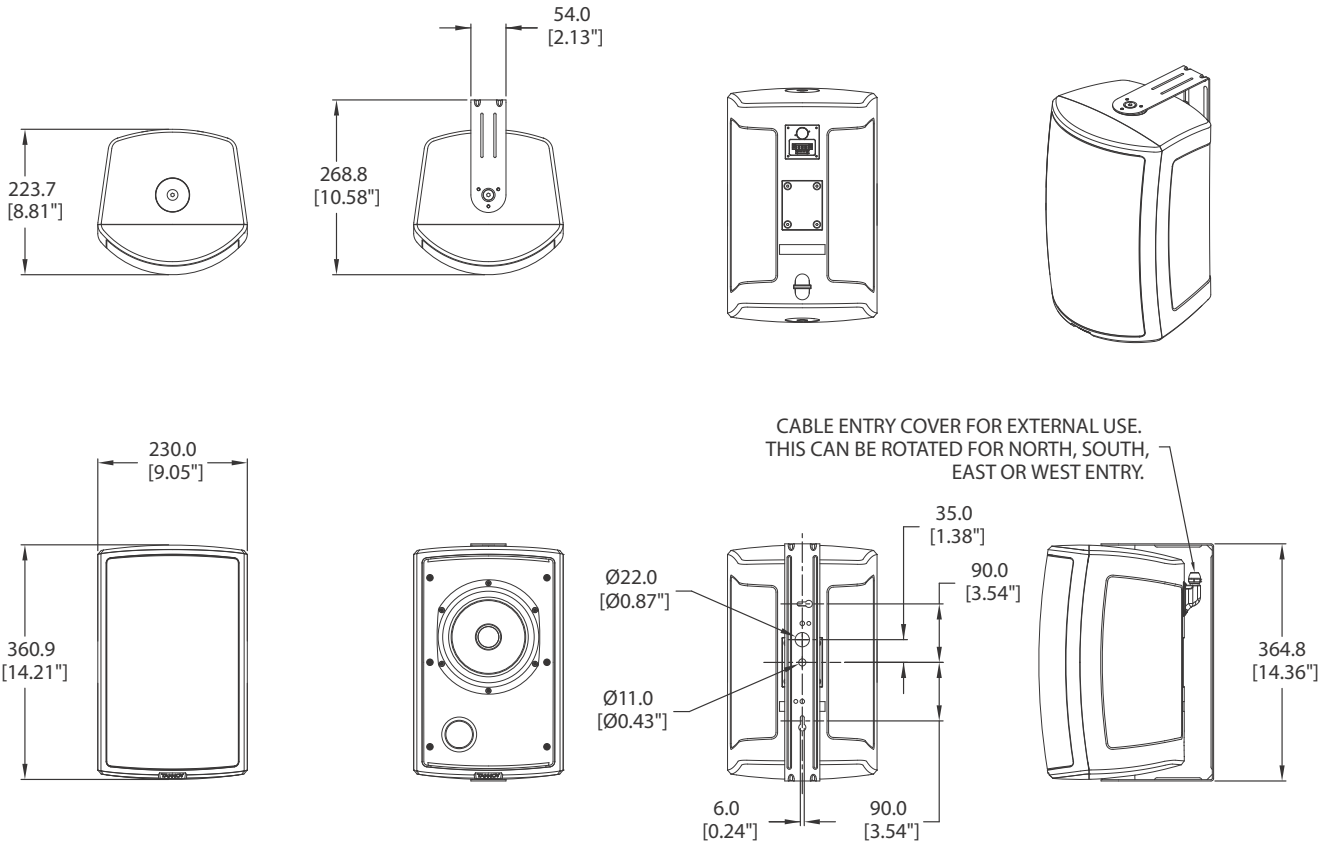
AMS 8DC



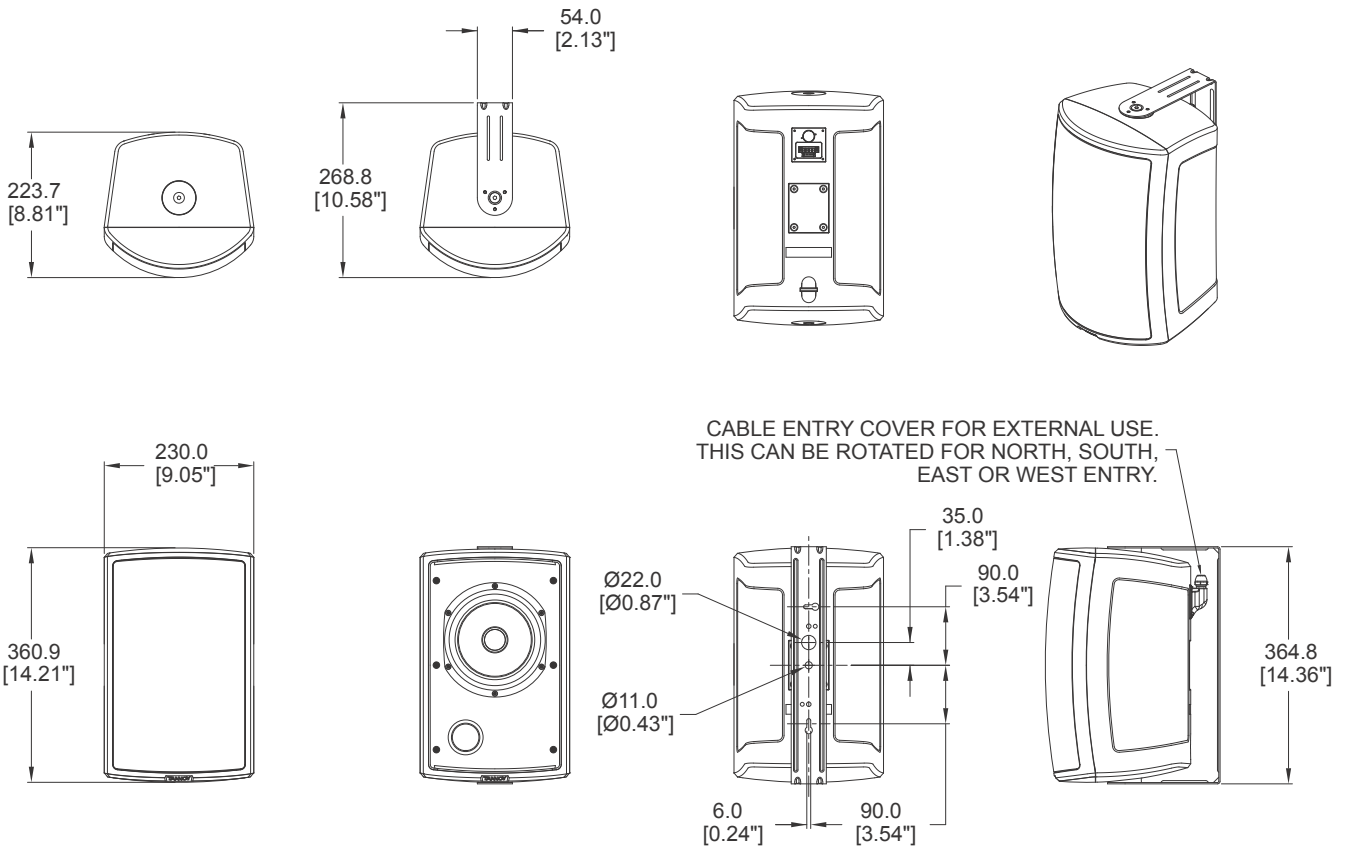
AMS 6DC



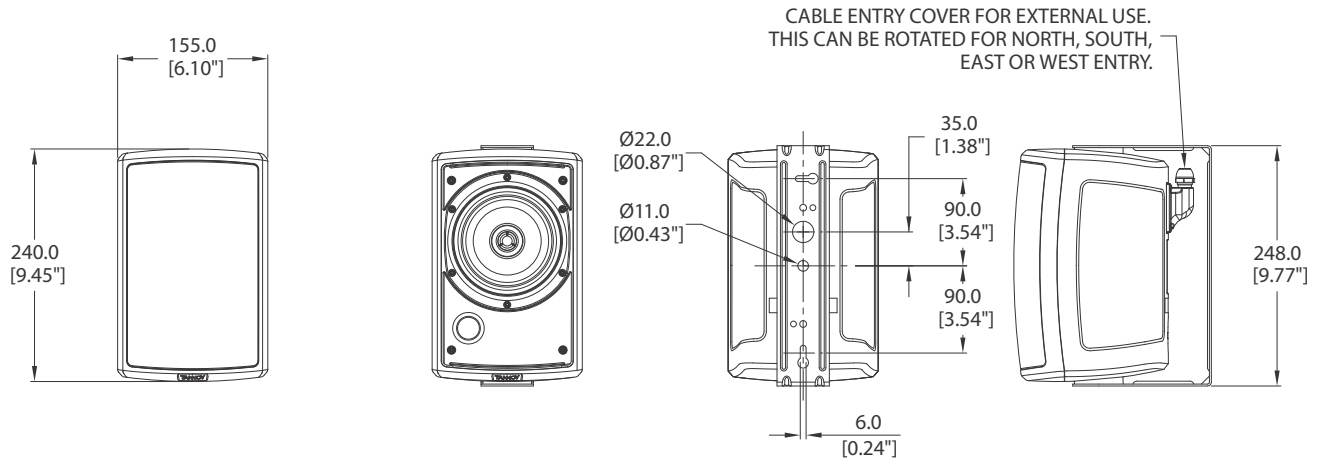
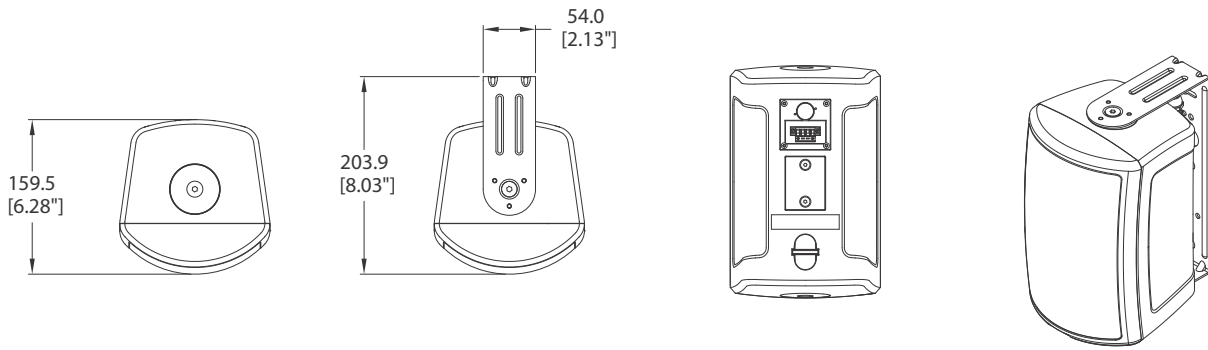
AMS 6ICT



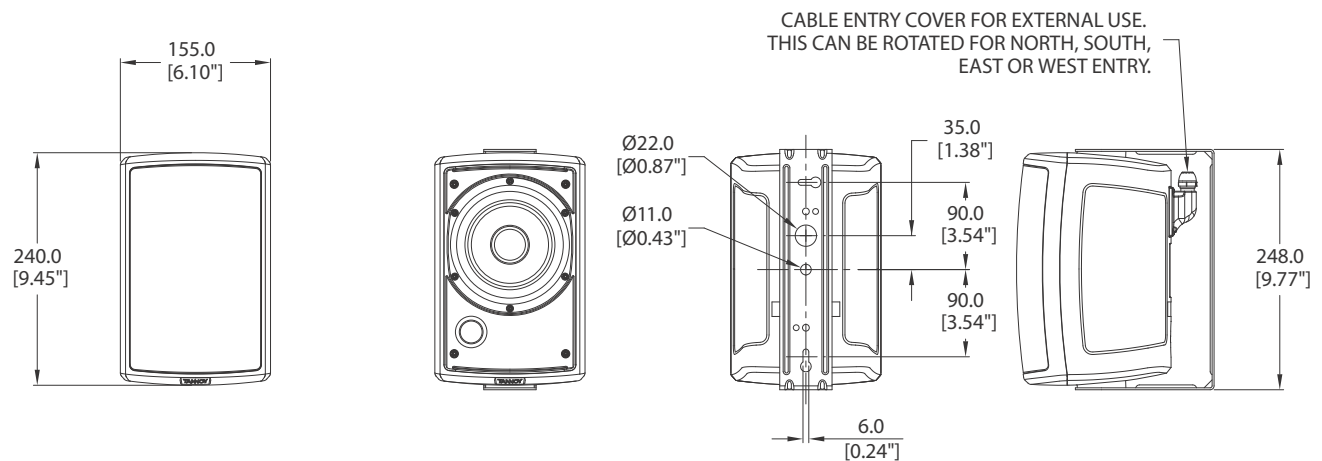
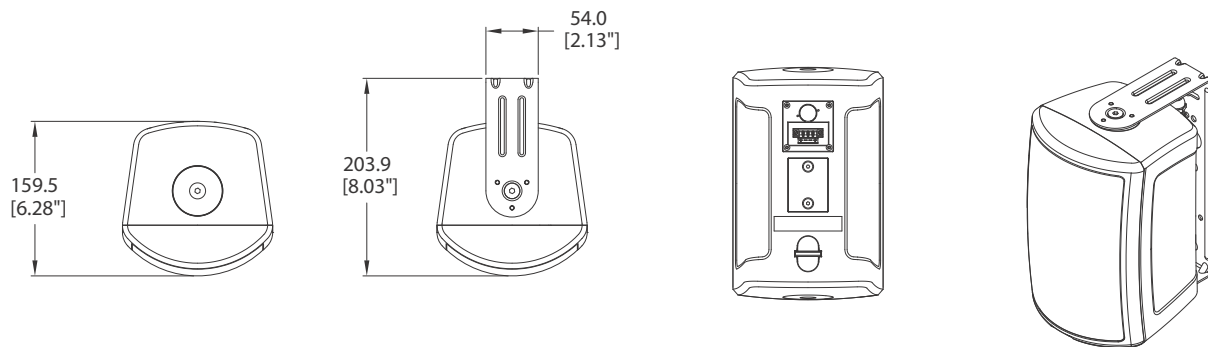
AMS 6ICT LS



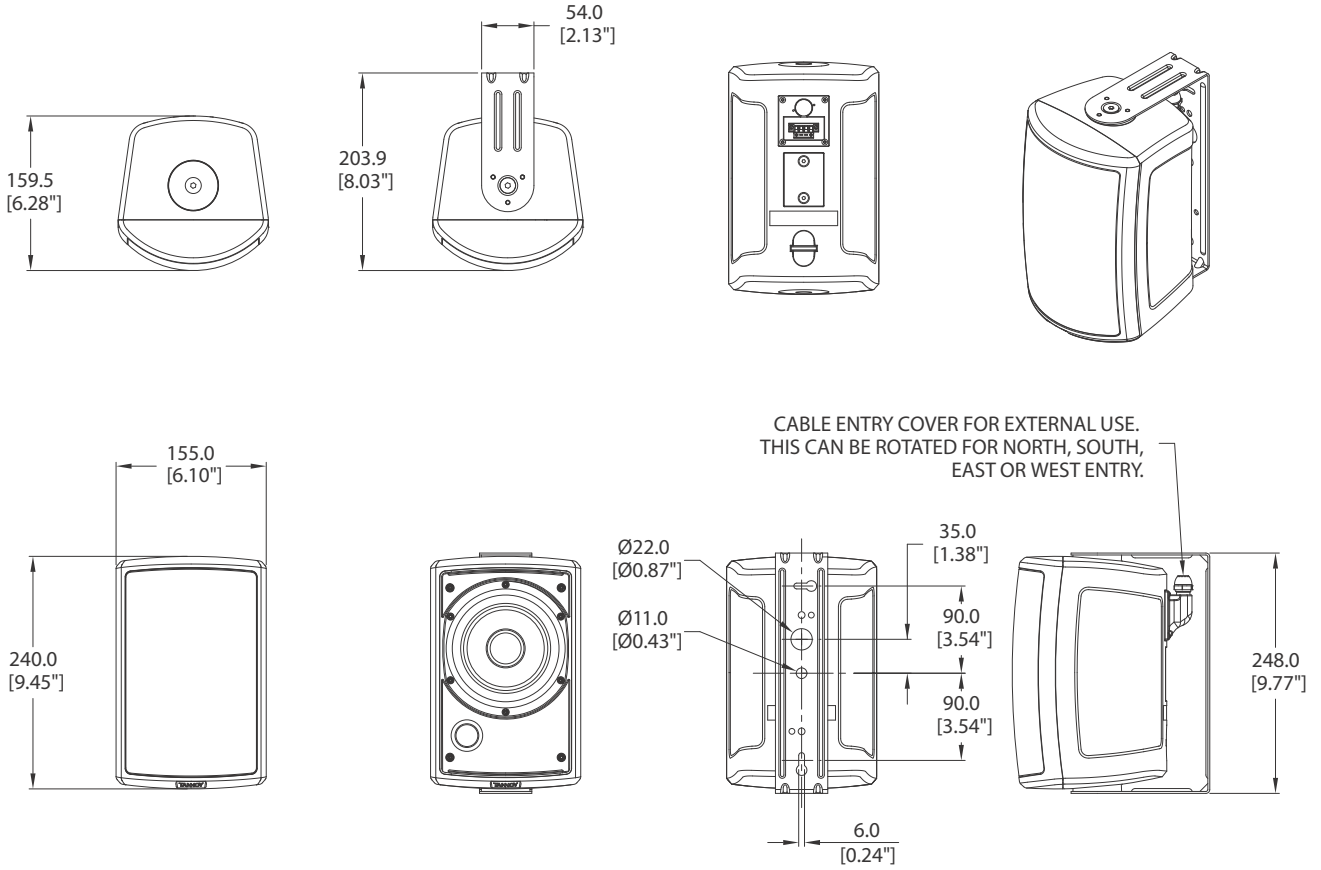
AMS 5DC



AMS 5ICT



AMS 5ICT LS



Specifications

System

AMS 8DC

Performance

Frequency response (-3 dB) ⁽¹⁾	65 Hz - 30 kHz
Frequency range (-10 dB) ⁽¹⁾	53 Hz - 40 kHz
System sensitivity (1 W @ 1m) ⁽²⁾	92 dB (1 W = 4 V for 16 ohms)
Nominal Coverage Angle	90 degrees conical

Power Handling ⁽³⁾

Average	90 W
Programme	180 W
Peak	360 W
Recommended Amplifier Power	180 W @ 16 ohms
Nominal Impedance (Lo, Z)	16 ohms

Rated Maximum SPL

Average	111 dB
Peak	117 dB

Transformer Taps (via front rotary switch)

70 V	60 W / 30 W / 15 W / 7.5 W / OFF & Low impedance operation
100 V	60 W / 30 W / 15 W / OFF & Low impedance operation

Transducers

Dual Concentric point source driver	1x 200 mm (8.00") Dual Concentric driver, using Omnimagnet technology
Low Frequency	44 mm (1.75") voice coil, treated multi fibre paper pulp cone
High Frequency	25 mm (1.00") PEI dome

Physical

Enclosure	ABS
Grille	Steel, plated and painted
Connectors	Removable locking connector with screw terminals
Transformer setting	Rotary switch
Dimensions (H x W x D)	409.8 x 260.0 x 306.3 mm (16.13 x 10.24 x 12.06")
Net Weight (ea)	7.8 kg (17.20 lbs)
Shipped weight	8.8 kg (19.40 lbs)
Included Accessories	Yoke bracket
Packed Quantity	2

System	AMS 6DC	AMS 6ICT	AMS 6ICT LS
Performance			
Frequency response (-3 dB) ⁽¹⁾	75 Hz - 30 kHz	75 Hz - 22 kHz	75 Hz - 30 kHz
Frequency range (-10 dB) ⁽¹⁾	55 Hz - 40 kHz	55 Hz - 30 kHz	
System sensitivity (1 W @ 1m) ⁽²⁾	89 dB (1 W = 4 V for 16 ohms)	90 dB (1 W = 4 V for 16 ohms)	
Nominal Coverage Angle	90 degrees conical		
Power Handling ⁽³⁾			
Average	80 W	60 W	
Programme	160 W	120 W	
Peak	320 W	240 W	
Recommended Amplifier Power	160 W @ 16 ohms	120 W @ 16 ohms	
Nominal Impedance (Lo, Z)	16 ohms		
Rated Maximum SPL			
Average	108 dB		
Peak	114 dB		
Transformer Taps (via front rotary switch)			
70 V	60 W / 30 W / 15 W / 7.5 W / OFF & Low impedance operation		
100 V	60 W / 30 W / 15 W / OFF & Low impedance operation		
Transducers			
Dual Concentric point source driver	1x 165 mm (6.50") Dual Concentric driver, using Omnimagnet technology	—	
Low Frequency	44 mm (1.75") voice coil, treated multi fibre paper pulp cone	1 x 165 mm (6.50") treated multi fibre paper pulp cone	
High Frequency	25 mm (1.00") PEI dome	ICT	
Physical			
Enclosure	ABS		
Grille	Steel, plated and painted		
Connectors	Removable locking connector with screw terminals		
Transformer setting	Rotary switch		
Dimensions (H x W x D)	364.8 x 230.0 x 268.8 mm (14.36 x 9.05 x 10.58")		
Net Weight (ea)	6.25 kg (13.78 lbs)	5.25 kg (11.57 lbs)	5.4 kg (11.90 lbs)
Shipped weight	7.1 kg (15.6 lbs)	6.1 kg (13.4 lbs)	6.25 kg (13.77 lbs)
Included Accessories	Yoke bracket		
Packed Quantity	2		

System	AMS 5DC	AMS 5ICT	AMS 5ICT LS
Performance			
Frequency response (-3 dB) ⁽¹⁾	90 Hz - 30 kHz	90 Hz - 22 kHz	
Frequency range (-10 dB) ⁽¹⁾	80 Hz - 40 kHz	80 Hz - 30 kHz	
System sensitivity (1 W @ 1m) ⁽²⁾	87 dB (1 W = 4 V for 16 Ohms)	88 dB (1 W = 4 V for 16 Ohms)	
Nominal Coverage Angle	90 degrees conical		
Power Handling⁽³⁾			
Average	60 W	50 W	
Programme	120 W	100 W	
Peak	240 W	200 W	
Recommended Amplifier Power	120 W @ 16 ohms	100 W @ 16 ohms	
Nominal Impedance (Lo, Z)	16 ohms		
Rated Maximum SPL			
Average	105 dB		
Peak	111 dB		
Transformer Taps (via front rotary switch)			
70 V	30 W / 15 W / 7.5 W / 3.75 W / OFF & Low impedance operation		
100 V	30 W / 15 W / 7.5 W / OFF & Low impedance operation		
Transducers			
Dual Concentric point source driver	1x 130 mm (5.0") Dual Concentric driver, using Omnimagnet technology	—	
Low Frequency	35 mm (1.38") voice coil, treated multi fibre paper pulp cone	1 x 130 mm (5.00") treated multi fibre paper pulp cone	
High Frequency	20 mm (0.79") PEI dome	ICT	
Physical			
Enclosure	ABS		
Grille	Steel, plated and painted		
Connectors	Removable locking connector with screw terminals		
Transformer setting	Rotary switch		
Dimensions (H x W x D)	248.0 x 155.0 x 203.9 mm (9.77 x 6.10 x 8.03")		
Net Weight (ea)	3.6 kg (7.9 lbs)	3.4 kg (7.5 lbs)	3.45 kg (7.60 lbs)
Shipped weight	4.15 kg (9.15 lbs)	3.95 kg (8.70 lbs)	4.0 kg (8.82 lbs)
Included Accessories	Yoke bracket		
Packed Quantity	2		

Other important information

EN Important information

1. Register online.

Please register your new Music Tribe equipment right after you purchase it by visiting tannoy.com. Registering your purchase using our simple online form helps us to process your repair claims more quickly and efficiently. Also, read the terms and conditions of our warranty, if applicable.

2. Malfunction. Should your Music Tribe Authorized Reseller not be located in your vicinity, you may contact the Music Tribe Authorized Fulfiller for your country listed under "Support" at tannoy.com. Should your country not be listed, please check if your problem can be dealt with by our "Online Support" which may also be found under "Support" at tannoy.com. Alternatively, please submit an online warranty claim at tannoy.com BEFORE returning the product.

3. Power Connections.

Before plugging the unit into a power socket, please make sure you are using the correct mains voltage for your particular model. Faulty fuses must be replaced with fuses of the same type and rating without exception.

