



The Tannoy B475 is a dedicated subwoofer designed for high definition sound reinforcement at low and ultra-low frequencies. It will extend the power bandwidth of Tannoy Dual Concentric™ sound reinforcement systems to below 30Hz, making it ideal for sub-bass in club, theatre and concert sound reinforcement. Where ultra-low frequency enhancement is required with increased system headroom and maximum impact, combined frequency overlap is possible with cabinets like the B400.

The B475 is intended for use on the ground and can be close stacked, while the main system is flown. This powerful loudspeaker is capable of delivering high sound pressure levels with extremely low distortion while maintaining a uniform frequency response throughout its dynamic range. This makes the speakers capable of consistent intelligibility and tonal quality at any listening level.

The B475 comprises an 18 inch high efficiency bass unit housed in a heavily braced optimally vented enclosure. Ruggedly constructed from multiple-ply hardwood, the B475 cabinet features carrying handles.

APPLICATIONS

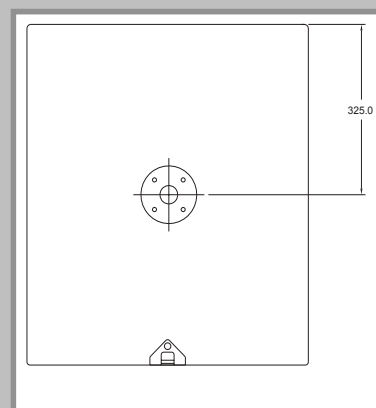
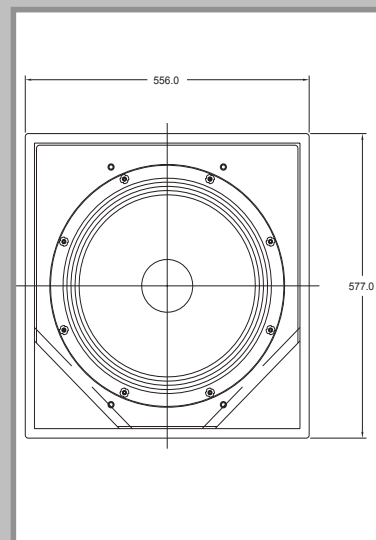
- Theatre Front of House and effects
- Movie theatre/cinema
- Concert reinforcement
- Nightclub sub-bass
- Sports and multi-use stadia
- Total experience and leisure venues
- Industrial simulators

FEATURES

- Versatile enclosure with exceptional dynamics and sound quality
- High power handling
- High efficiency and low distortion
- Rugged birch plywood construction

TECHNICAL SPECIFICATIONS

| | | |
|------------------------------|---|-----------|
| Frequency Response (1) ± 3dB | 28Hz–240Hz | |
| Recommended Amplifier Power | 400–800 watt/8 Ω | |
| Power Handling (2) | Average: | 300 watt |
| | Programme: | 600 watt |
| | Peak (10ms): | 1200 watt |
| Sensitivity (1) 2.83v @ 1m | 98 dB (anechoic) 101 dB (half space) | |
| Crossover Point | Active: Recommended Points 70–240 HZ, 24dB/oct Linkwitz-Riley (dependent on application) | |
| Maximum SPL (3) @ 1m | Average: | 123dB |
| | Peak: | 129dB |
| Nominal Impedance | 8 Ω | |
| Driver Complement | 1 x 18" High Efficiency Bass Unit | |
| Enclosure | 168 litre vented, 18mm multi-ply birch plywood | |
| Finish | Textured Black/Grey | |
| Protective Grille | Perforated steel, black with 50% free airflow | |
| Connectors | 2 x Speakon NL4MPR, in/out | |
| Fittings | 2 x recessed carrying handle | |
| Dimensions (HxWxD) | 576mm x 555mm x 650mm (22.7" x 21.85" x 25.6") | |
| Weight | 40kg (86lbs) | |



(1) Average over stated bandwidth. Measured at 1m on axis in an anechoic chamber

(2) Long term power handling capacity as defined in EIA standard RS-426A

(3) Unweighted pink noise input, measured at 1m

Tannoy operates a policy of continuous research and development. The introduction of new materials or manufacturing methods will always equal or exceed the published specifications, which Tannoy reserves the right to alter without prior notice. Please verify the latest specifications when dealing with critical applications

Tannoy Ltd., Professional Division, Coatbridge, ML5 4TF, Scotland
Tel: +44 (0)1236 420199 Fax: +44(0)1236 428230
e-mail: prosales@tannoy.com Internet site: <http://www.tannoy.com>

TGI North America, 300 Gage Avenue, Unit One, Kitchener, Ontario, N2M 2C8, Canada
Tel: (519) 745 1158 Fax: (519) 745 2364

Tannoy Nederland b.v., Anthonetta Kuyjlstraat 19, 3066 GS Rotterdam
Tel: (010) 2860554 Fax: (010) 2860431