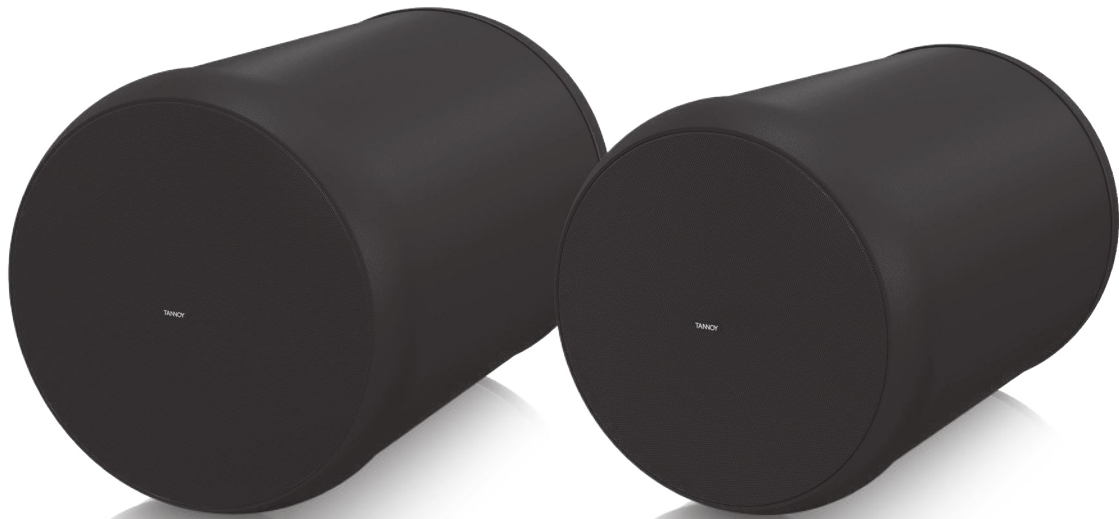


Quick Start Guide



OCV Series OCV 8 / OCV 6

8"/6" Coaxial Pendant Loudspeaker for Installation Applications

EN Important Safety Instructions



Terminals marked with this symbol carry electrical current of sufficient magnitude to constitute risk of electric shock.

Use only high-quality professional speaker cables with ¼" TS or twist-locking plugs pre-installed. All other installation or modification should be performed only by qualified personnel.



This symbol, wherever it appears, alerts you to the presence of uninsulated dangerous voltage inside the enclosure - voltage that may be sufficient to constitute a risk of shock.



This symbol, wherever it appears, alerts you to important operating and maintenance instructions in the accompanying literature. Please read the manual.



Caution

To reduce the risk of electric shock, do not remove the top cover (or the rear section). No user serviceable parts inside. Refer servicing to qualified personnel.



Caution

To reduce the risk of fire or electric shock, do not expose this appliance to rain and moisture. The apparatus shall not be exposed to dripping or splashing liquids and no objects filled with liquids, such as vases, shall be placed on the apparatus.



Caution

These service instructions are for use by qualified service personnel only. To reduce the risk of electric shock do not perform any servicing other than that contained in the operation instructions. Repairs have to be performed by qualified service personnel.

1. Read these instructions.
2. Keep these instructions.
3. Heed all warnings.
4. Follow all instructions.
5. Do not use this apparatus near water.
6. Clean only with dry cloth.
7. Do not block any ventilation openings. Install in accordance with the manufacturer's instructions.
8. Do not install near any heat sources such as radiators, heat registers, stoves, or other apparatus (including amplifiers) that produce heat.

9. Do not defeat the safety purpose of the polarized or grounding-type plug. A polarized plug has two blades with one wider than the other. A grounding-type plug has two blades and a third grounding prong. The wide blade or the third prong are provided for your safety. If the provided plug does not fit into your outlet, consult an electrician for replacement of the obsolete outlet.

10. Protect the power cord from being walked on or pinched particularly at plugs, convenience receptacles, and the point where they exit from the apparatus.

11. Use only attachments/accessories specified by the manufacturer.



12. Use only with the cart, stand, tripod, bracket, or table specified by the manufacturer, or sold with the apparatus. When a cart is used, use caution when moving the cart/apparatus combination to avoid

injury from tip-over.

13. Unplug this apparatus during lightning storms or when unused for long periods of time.

14. Refer all servicing to qualified service personnel. Servicing is required when the apparatus has been damaged in any way, such as power supply cord or plug is damaged, liquid has been spilled or objects have fallen into the apparatus, the apparatus has been exposed to rain or moisture, does not operate normally, or has been dropped.

15. The apparatus shall be connected to a MAINS socket outlet with a protective earthing connection.

16. Where the MAINS plug or an appliance coupler is used as the disconnect device, the disconnect device shall remain readily operable.



17. Correct disposal of this product: This symbol indicates that this product must not be disposed of with household waste, according to the WEEE Directive (2012/19/EU) and your national law. This product should be taken to a collection center licensed for the recycling of waste electrical and electronic equipment (EEE). The mishandling of this type of waste could have a possible negative impact on the environment and human health due to potentially hazardous substances that are generally associated with EEE. At the same time, your cooperation in the correct disposal of this product will contribute to the efficient use of natural resources. For more information about where you can take your waste equipment for recycling, please contact your local city office, or your household waste collection service.

18. Do not install in a confined space, such as a book case or similar unit.

19. Do not place naked flame sources, such as lighted candles, on the apparatus.

20. Please keep the environmental aspects of battery disposal in mind. Batteries must be disposed-of at a battery collection point.

21. This apparatus may be used in tropical and moderate climates up to 45°C.

LEGAL DISCLAIMER

Music Tribe accepts no liability for any loss which may be suffered by any person who relies either wholly or in part upon any description, photograph, or statement contained herein. Technical specifications, appearances and other information are subject to change without notice. All trademarks are the property of their respective owners. Midas, Klark Teknik, Lab Gruppen, Lake, Tannoy, Turbosound, TC Electronic, TC Helicon, Behringer, Bugera, Oberheim, Auratone, Aston Microphones and Coolaudio are trademarks or registered trademarks of Music Tribe Global Brands Ltd. © Music Tribe Global Brands Ltd. 2021 All rights reserved.

LIMITED WARRANTY

For the applicable warranty terms and conditions and additional information regarding Music Tribe's Limited Warranty, please see complete details online at musictribe.com/warranty.

OCV Series OCV 8 / OCV 6 Introduction

Introduction

Thank you for purchasing this Tannoy Product loudspeaker. This product range is suited for high-level music and speech reinforcement applications requiring exceptional sonic quality with uncompromised reliability.

OCV Series OCV 8 / OCV 6 Unpacking

Unpacking

Every Tannoy product and accessory is carefully inspected before packing. After unpacking, please inspect your product to make sure no damage has occurred in transit. In the unlikely event of any damage, would you please notify your dealer immediately and retain your shipping carton, as your dealer may ask you to return the faulty unit to them for inspection.

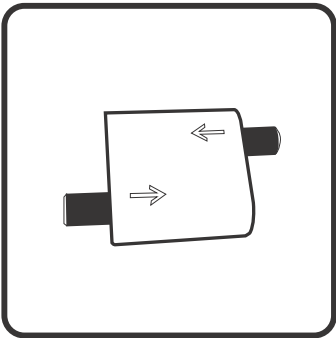
Each OCV loudspeaker is provided with the following accessories as standard; cable clamps, 1 x hanging cable, 1 x safety cable, 1 x terminal weather boot, 1 x euroblock connector, 3/8" screwed rod adaptor, cable ties.

OCV Series OCV 8 / OCV 6 Safety Notices

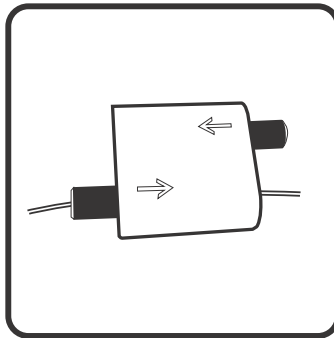
Safety Notices

Some regional construction codes require the use of a secondary method of securing loudspeakers in ceiling to provide security of a backup support. A secondary support line should be attached from the safety loop on the rear of the product to a source point on the ceiling. Please consult the relevant construction codes in your region. Tannoy will not be held responsible for any damages caused by the improper installation of these loudspeakers.

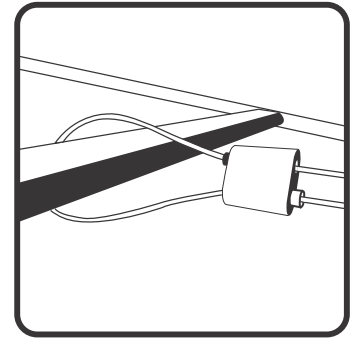
Installation Guide



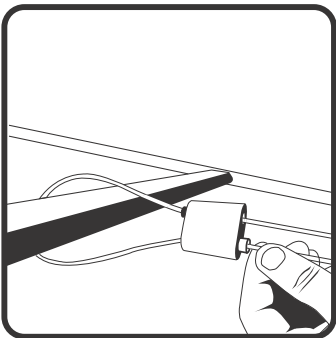
1. Inspect cable clamp for signs of dirt, damage or wear.



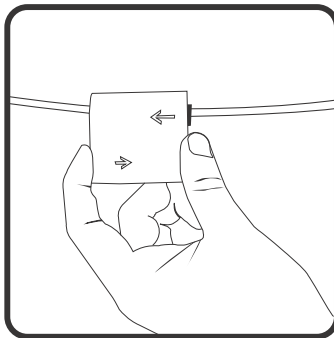
2. Insert cable through one side of the clamp.



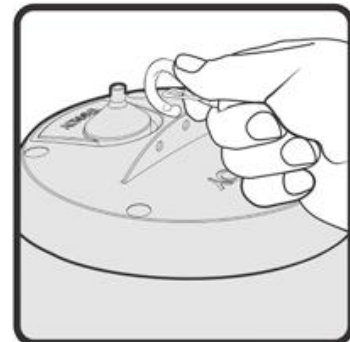
3. Loop cable around suspension point and then into the other side of the clamp.
Repeat 1-3 for secondary safety attachment.



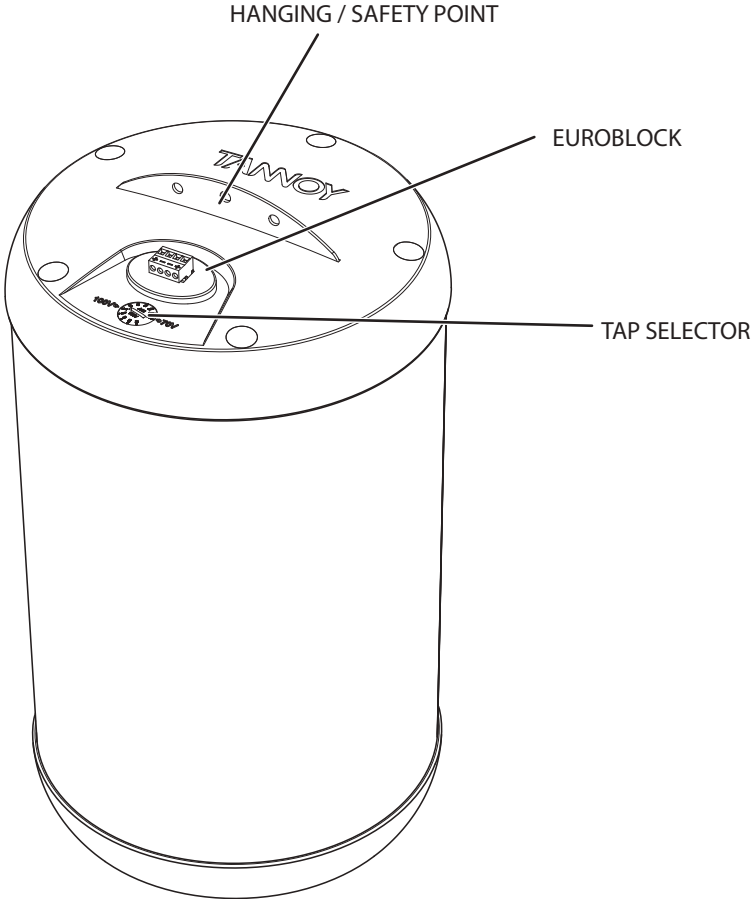
4. Adjust cable to the desired length.



5. Release cable by depressing the clamp sockets as shown.



6. Attach the hanging cable to the centre hole of the speaker bracket.
The safety cable can be attached to either of the secondary holes.



Installation Guide

Installation Guide

1. Remove the euroblock connector from the socket.
2. Feed the cable through the rubber input seal, then connect the euroblock connector to the cable, observing the correct polarity.

3. For connection to an amplifier, use pins 1 and 2:

Pin 1 is positive

Pin 2 is negative

For connection to additional speakers in a distributed line, pins 3 and 4 are in parallel where:

Pin 3 is negative

Pin 4 is positive

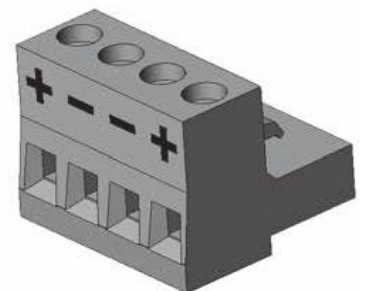
4. Connect the euroblock connector, then replace the rubber input seal to ensure the speaker is sealed.

THE SPEAKER IS SUPPLIED IN LOW IMPEDANCE MODE.

NEVER CONNECT THE SPEAKER TO A 70/100 VOLT AMPLIFIER

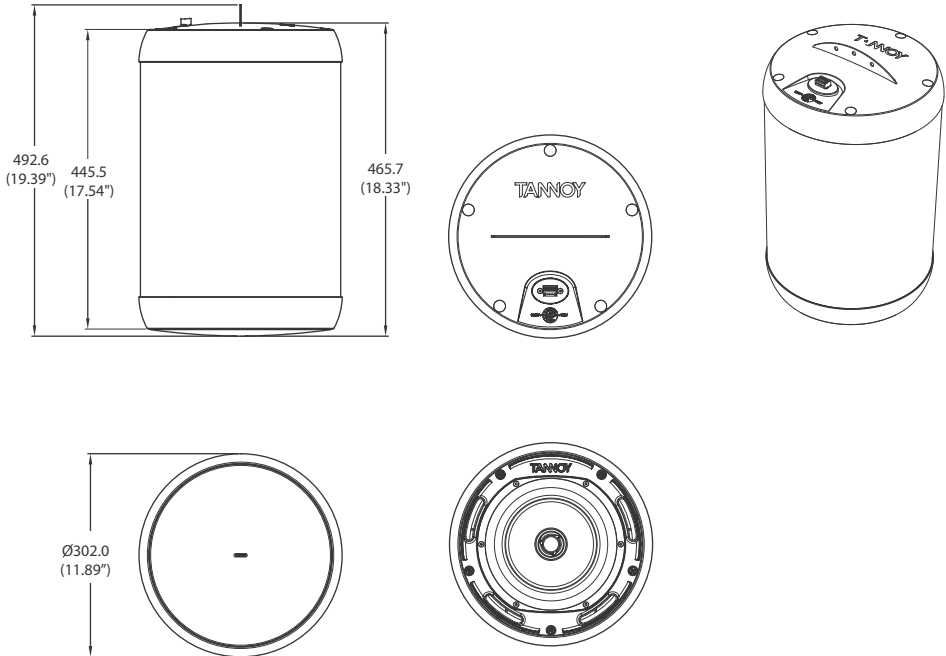
WHILE IT IS SET FOR LOW IMPEDANCE.

5. The OCV 6 and OCV 8 are fitted with 60 W transformers. When used in distributed-line systems, the transformer can be tapped at 60 W, 30 W, and 15 W, with an additional 7.5 W tapping for 70.7 V line systems.

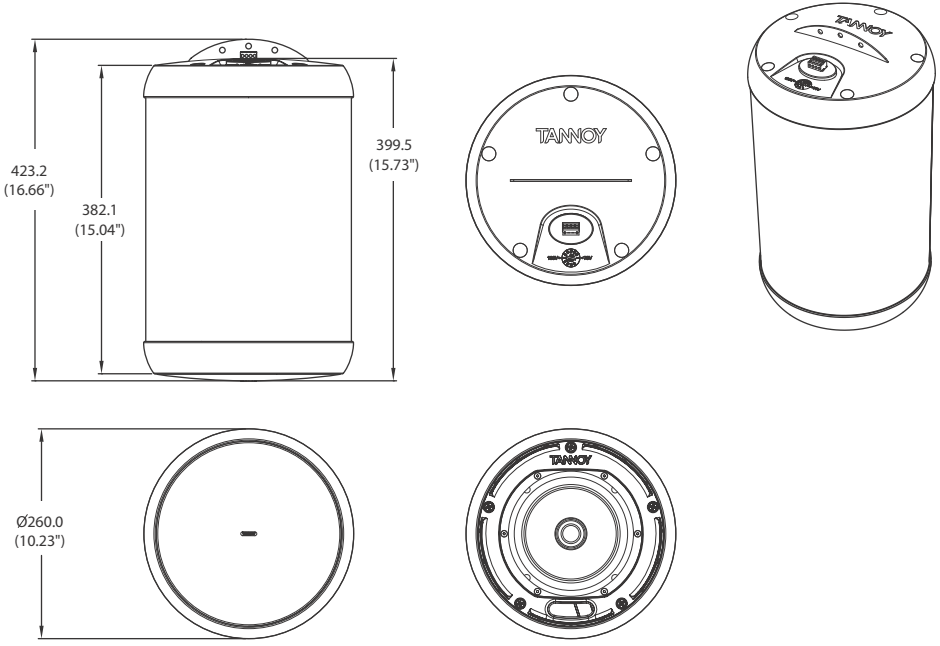


Dimensions

OCV 8



OCV 6



Specifications

	OCV 8	OCV 6
Performance		
Frequency Response (-3 dB) ⁽¹⁾	75 Hz - 20 kHz	80 Hz - 20 kHz
Frequency Range (-10 dB) ⁽¹⁾	60 Hz - 30 kHz	
System Sensitivity (1 W @1 m) ⁽²⁾	90 dB	88 dB
Dispersion (-6 dB)	80 degrees conical	90 degrees conical
Transducers	Coaxial	
Low Frequency	200 mm (8.00") mineral loaded cone material	150 mm (6.00") mineral loaded cone material
High Frequency	25 mm (1.00")	20 mm (0.79)
Crossover	4.5 kHz - 3rd order LF, 2d order HF	5.4 kHz - 2nd order LF, 2nd order HF
Directivity (Q)	14.4 averaged 1 kHz to 6.3 kHz	11.3 averaged 1 kHz to 6.3 kHz
Directivity (DI)	11.6 dB averaged 1 kHz to 6.3 kHz	10.5 dB averaged 1 kHz to 6.3 kHz
Rated Maximum SPL ⁽²⁾	108 dB (average) 114 dB (peak)	105 dB (average) 111 dB (peak)
Power Handling		
Average	70 W	60 W
Programme	140 W	120 W
Peak	280 W	240 W
Recommended Amplifier Power	140 W @ 16 Ohms	120 W @ 16 Ohms
Nominal Impedance	16 Ohms	
Construction		
Enclosure	ABS / Steel	
Grille	Steel, plated and powder coat painted	
Connectors	Euroblock type removable locking connector with screw terminals with "loop through" facility	
Transformer setting	Rotary switch	
Safety Agency Ratings	UL-1480, UL-2043, CE	
Bezel diameter	302 mm (11.9")	260 mm (10.2")
Overall Length	493 mm (19.4")	423 mm (16.7")
Net Weight	8.2 kg (18.1 lbs)	5.8 kg (12.8 lbs)
Shipped weight	10.4 kg (22.9 lbs)	7.6 kg (16.7 lbs)
Transformer Taps		
70 V	60 W / 30 W / 15 W / 7.5 W & low Impedance operation	
100 V	60 W / 30 W / 15 W & low Impedance operation	

Notes:

1. Average over stated bandwidth. Measured at 1 metre on axis in an anechoic chamber

2 Unweighted pink noise input, measured at 1 metre in an anechoic chamber

A full range of measurements, performance data, and Ease Data can be downloaded from www.tannoy.com

Other important information

EN Important information

1. Register online. Please register your new Music Tribe equipment right after you purchase it by visiting musictribe.com. Registering your purchase using our simple online form helps us to process your repair claims more quickly and efficiently. Also, read the terms and conditions of our warranty, if applicable.

2. Malfunction. Should your Music Tribe Authorized Reseller not be located in your vicinity, you may contact the Music Tribe Authorized Fulfiller for your country listed under "Support" at musictribe.com. Should your country not be listed, please check if your problem can be dealt with by our "Online Support" which may also be found under "Support" at musictribe.com. Alternatively, please submit an online warranty claim at musictribe.com BEFORE returning the product.

3. Power Connections. Before plugging the unit into a power socket, please make sure you are using the correct mains voltage for your particular model. Faulty fuses must be replaced with fuses of the same type and rating without exception.

FR Informations importantes

1. Enregistrez-vous en ligne. Prenez le temps d'enregistrer votre produit Music Tribe aussi vite que possible sur le site Internet musictribe.com. Le fait d'enregistrer le produit en ligne nous permet de gérer les réparations plus rapidement et plus efficacement. Prenez également le temps de lire les termes et conditions de notre garantie.

2. Dysfonctionnement. Si vous n'avez pas de revendeur Music Tribe près de chez vous, contactez le distributeur Music Tribe de votre pays : consultez la liste des distributeurs de votre pays dans la page "Support" de notre site Internet musictribe.com. Si votre pays n'est pas dans la liste, essayez de résoudre votre problème avec notre "aide en ligne" que vous trouverez également dans la section "Support" du site musictribe.com. Vous pouvez également nous faire parvenir directement votre demande de réparation sous garantie par Internet sur le site musictribe.com AVANT de nous renvoyer le produit.

3. Raccordement au secteur. Avant de relier cet équipement au secteur, assurez-vous que la tension secteur de votre région soit compatible avec l'appareil. Veillez à remplacer les fusibles uniquement par des modèles exactement de même taille et de même valeur électrique — sans aucune exception.

PT Outras Informações Importantes

1. Registre-se online. Por favor, registre seu novo equipamento Music Tribe logo após a compra visitando o site musictribe.com. Registrar sua compra usando nosso simples formulário online nos ajuda a processar seus pedidos de reparos com maior rapidez e eficiência. Além disso, leia nossos termos e condições de garantia, caso seja necessário.

2. Funcionamento Defeituoso. Caso seu fornecedor Music Tribe não esteja localizado nas proximidades, você pode contatar um distribuidor Music Tribe para o seu país listado abaixo de "Suporte" em musictribe.com. Se seu país não estiver na lista, favor checar se seu problema pode ser resolvido com o nosso "Suporte Online" que também pode ser achado abaixo de "Suporte" em musictribe.com. Alternativamente, favor enviar uma solicitação de garantia online em musictribe.com ANTES da devolução do produto.

3. Ligações. Antes de ligar a unidade à tomada, assegure-se de que está a utilizar a voltagem correcta para o modelo em questão. Os fusíveis com defeito terão de ser substituídos, sem qualquer excepção, por fusíveis do mesmo tipo e corrente nominal.

ES Aspectos importantes

1. Registro online. Le recomendamos que registre su nuevo aparato Music Tribe justo después de su compra accediendo a la página web musictribe.com. El registro de su compra a través de nuestro sencillo sistema online nos ayudará a resolver cualquier incidencia que se presente a la mayor brevedad posible. Además, aproveche para leer los términos y condiciones de nuestra garantía, si es aplicable en su caso.

2. Averías. En el caso de que no exista un distribuidor Music Tribe en las inmediaciones, puede ponerse en contacto con el distribuidor Music Tribe de su país, que encontrará dentro del apartado "Support" de nuestra página web musictribe.com. En caso de que su país no aparezca en ese listado, acceda a la sección "Online Support" (que también encontrará dentro del apartado "Support" de nuestra página web) y compruebe si su problema aparece descrito y solucionado allí. De forma alternativa, envíenos a través de la página web una solicitud online de soporte en periodo de garantía ANTES de devolvernos el aparato.

3. Conexiones de corriente. Antes de enchufar este aparato a una salida de corriente, asegúrese de que dicha salida sea del voltaje adecuado para su modelo concreto. En caso de que deba sustituir un fusible quemado, deberá hacerlo por otro de idénticas especificaciones, sin excepción.

DE Weitere wichtige Informationen

1. Online registrieren. Bitte registrieren Sie Ihr neues Music Tribe-Gerät direkt nach dem Kauf auf der website musictribe.com. Wenn Sie Ihren Kauf mit unserem einfachen online Formular registrieren, können wir Ihre Reparaturansprüche schneller und effizienter bearbeiten. Lesen Sie bitte auch unsere Garantiebedingungen, falls zutreffend.

2. Funktionsfehler. Sollte sich kein Music Tribe Händler in Ihrer Nähe befinden, können Sie den Music Tribe Vertrieb Ihres Landes kontaktieren, der auf musictribe.com unter „Support“ aufgeführt ist. Sollte Ihr Land nicht aufgelistet sein, prüfen Sie bitte, ob Ihr Problem von unserem „Online Support“ gelöst werden kann, den Sie ebenfalls auf musictribe.com unter „Support“ finden. Alternativ reichen Sie bitte Ihren Garantieanspruch online auf musictribe.com ein, BEVOR Sie das Produkt zurücksenden.

3. Stromanschluss. Bevor Sie das Gerät an eine Netzsteckdose anschließen, prüfen Sie bitte, ob Sie die korrekte Netzspannung für Ihr spezielles Modell verwenden. Fehlerhafte Sicherungen müssen ausnahmslos durch Sicherungen des gleichen Typs und Nennwerts ersetzt werden.

IT Informazioni importanti

1. Registratevi online. Vi invitiamo a registrare il nuovo apparecchio Music Tribe subito dopo averlo acquistato visitando musictribe.com. La registrazione dell'acquisto tramite il nostro semplice modulo online ci consente di elaborare le richieste di riparazione in modo più rapido ed efficiente. Leggete anche i termini e le condizioni della nostra garanzia, qualora applicabile.

2. Malfunzionamento. Nel caso in cui il rivenditore autorizzato Music Tribe non si trovi nelle vostre vicinanze, potete contattare il Music Tribe Authorized Fulfiller per il vostro paese, elencato in "Support" @ musictribe.com. Se la vostra nazione non è elencata, controllate se il problema può essere risolto tramite il nostro "Online Support" che può anche essere trovato sotto "Support" @ musictribe.com. In alternativa, inviate una richiesta di garanzia online su musictribe.com PRIMA di restituire il prodotto.

3. Collegamento all'alimentazione. Prima di collegare l'unità a una presa di corrente, assicuratevi di utilizzare la tensione di rete corretta per il modello specifico. I fusibili guasti devono essere sostituiti, senza eccezioni, con fusibili dello stesso tipo e valore nominale.



Hereby, Music Tribe declares that this product is in compliance with Directive 2011/65/EU and Amendment 2015/863/EU, Directive 2012/19/EU, Regulation 519/2012 REACH SVHC and Directive 1907/2006/EC, and this passive product is not applicable to EMC Directive 2014/30/EU, LV Directive 2014/35/EU.

Full text of EU DoC is available at <https://community.musictribe.com/>

EU Representative: Music Tribe Brands DK A/S
Address: Ib Spang Olsens Gade 17, DK - 8200 Aarhus N, Denmark

