

DESCRIPTION

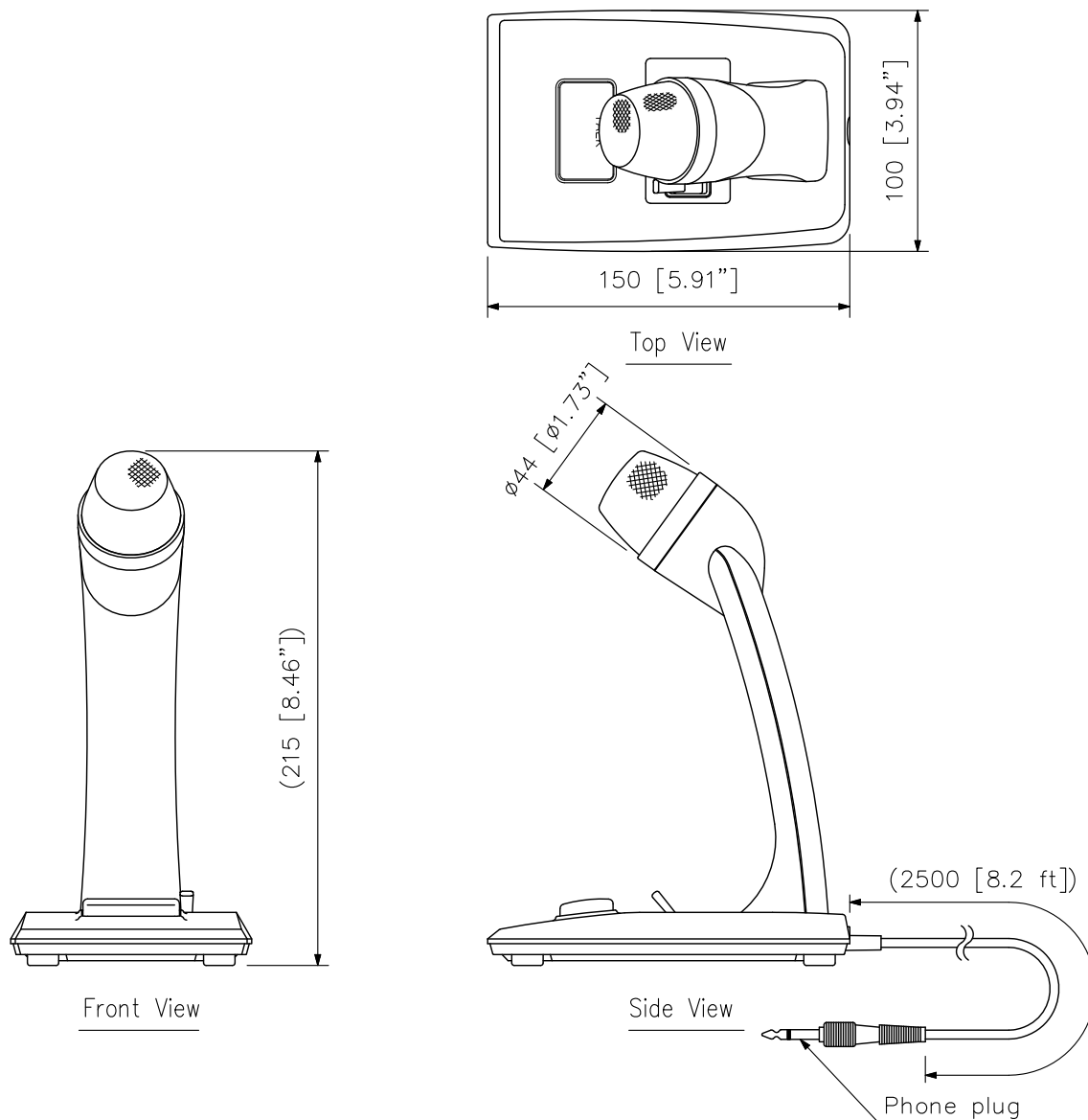
Designed for paging calls and general announcements, the PM-660 desk-top microphone comes with a large talk switch and a lock lever for easy and convenient operation.

SPECIFICATIONS

| | |
|--------------------|------------------------------------------------------------------------------------------|
| Type | Moving coil microphone |
| Polar Pattern | Unidirectional |
| Rated Impedance | 600 Ω, unbalanced |
| Rated Sensitivity | -58 dB (1 kHz, 0 dB=1 V/Pa) |
| Frequency Response | 100 Hz - 10 kHz |
| Output | 2-conductor shielded cable (2.5 m (8.2 ft)) with phone plug |
| Talk Switch | 1-push-to-talk switch, 1-locking lever, Short-off type |
| Finish | Microphone head : Zinc plated steel wire, gray baked paint Main unit: ABS resin, gray |
| Dimensions | 100 (W) × 215 (H) × 150 (D) mm (3.94" × 8.46" × 5.91") |
| Weight | 440 g (0.97 lb) (cord excluded) |

* Do not keep the lock lever placed in the locked state (ON position) for a long period of time. Doing so may cause poor conductivity in the lever switch due to deterioration with age, resulting in unit malfunction.

APPEARANCE



UNIT:mm SCALE:1/3

Note: Numerical values in parentheses are for reference only.