

LIFT 4,5 0,26 T - LIFT 4,0 0,30 T

GENERAL FEATURES

The idea of a lifter for loudspeakers comes from show professionals' needs to have a light and dynamic system.

Thanks to its strong, tough, versatile but small structure, LIFT is suitable in any professional situation. It is made of Aluminium Truss, SuperLite 25 Trio Series, and designed to lift loudspeakers or other TRABES trusses up to 4,5 mt (260 Kg), with a maximum loading capacity of 300 Kg at 4 mt height.

Assembling ease and quickness make LIFT be the most suitable product for service organizers and show business operators in general.

LIFT is the best solution when professionals need to integrate the potential of traditional Roof Systems, when already overloaded, or when other building structures (towers, for instance) turn out to be too eHDensive, too static or aesthetically unappealing to fit simpler purposes.

LOADING FIGURES

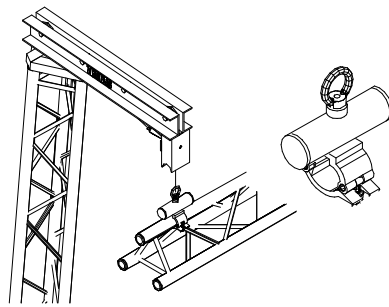
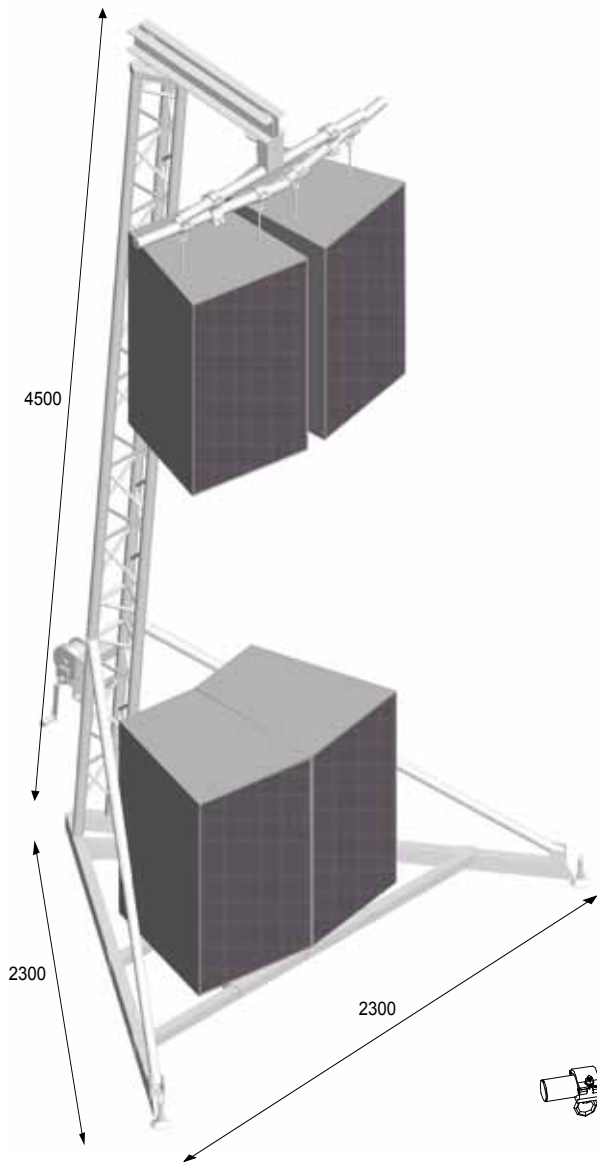
LIFT 4,5 - 0,26 T				
WINDSPEED	LOUDSPEAKERS AREA 1 m ²		LOUDSPEAKERS AREA 2 m ²	
	LOAD	BALLAST	LOAD	BALLAST
0	260 kg	0	260 kg	0
30 km/h	200 kg	55 kg	180 kg	110 kg
40 km/h	185 kg	96 kg	140 kg	190 kg
50 km/h	160 kg	150 kg	75 kg	302 kg
60 km/h	110 kg	215 kg	10 kg	435 kg

LIFT 4,0 - 0,30 T				
WINDSPEED	LOUDSPEAKERS AREA 1 m ²		LOUDSPEAKERS AREA 2 m ²	
	LOAD	BALLAST	LOAD	BALLAST
0	300 kg	0	300 kg	0
30 km/h	240 kg	45 kg	200 kg	90 kg
40 km/h	220 kg	80 kg	180 kg	160 kg
50 km/h	190 kg	125 kg	100 kg	250 kg
60 km/h	130 kg	180 kg	40 kg	362 kg

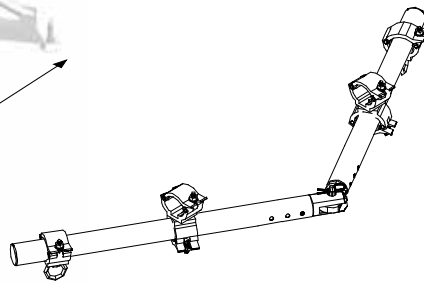


LIFT 4,5 - 0,26 T		
CODE	WEIGHT	DESCRIPTION
TB 9570	64,22 kg	Complete Kit Lift 4,5 - 0,26 T with: 1 TB 9571, 1 TB 9572, 1 TB 9573, 1 TB 9574, 1 TA 8701, 1 TB 9575, 1 TB 8315, 1 TB 8320
CODE	WEIGHT	KIT DESCRIPTION
TB 9571	26,00 kg	Lift Base H 1,25 m
TB 9572	10,00 kg	Hand winch 520 kg, with steel cable 9 m
TB 9573	9,00 kg	Lift Head
TB 9574	2,00 kg	Graph bar
TA 8701	1,05 kg	2 AL 8910 + 2 eye-nut 10 mm
TB 9575	0,60 kg	Upwind bar
TB 8315	6,90 kg	SuperLite 25 Trio Truss 1,5 m
TB 8320	8,67 kg	SuperLite 25 Trio Truss 2,0 m

LIFT 4,0 - 0,30 T		
CODE	WEIGHT	DESCRIPTION
TB 9510	62,45 kg	Complete Kit Lift 4,0 - 0,30 T with: 1 TB 9571, 1 TB 9572, 1 TB 9573, 1 TB 9574, 1 TA 8701, 1 TB 9575, 2 TB 8315
CODE	WEIGHT	KIT DESCRIPTION
TB 9571	26,00 kg	Lift Base H 1,25 m
TB 9572	10,00 kg	Hand winch 520 kg, with steel cable 9 m
TB 9573	9,00 kg	Lift Head
TB 9574	2,00 kg	Graph Bar
TA 8701	1,05 kg	2 AL 8910 + 2 eye-nut 10 mm
TB 9575	0,60 kg	Upwind bar
TB 8315	6,90 kg	SuperLite 25 Trio Truss 1,5 m



TB 9581
Adapters for
rigging trio Truss
Weight 1,70 kg

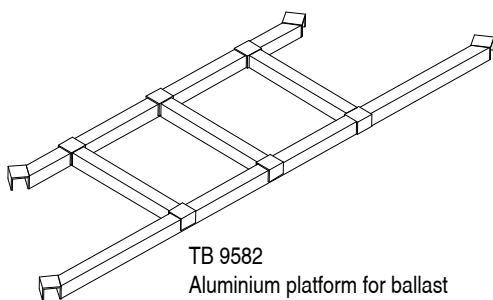


TB 9580
Flying Bar
Weight 4,80 kg

Flying Bar components:

- TB 9576
Adjustable V-Bar with
SuperProfessional joint
Weight 2,20 kg

- TA 8702
(2 AL 8904 and 2 AL 8910)
Weight 2,60 kg



TB 9582
Aluminium platform for ballast
Weight 12 kg



TBF TSX7
Flight Case for Lift
Dimensions
1400x500x400 mm
Weight 38 kg