

YAMAHA

Compact
Speaker Systems

S15/S55



Superior Sound and High Power Mount-anywhere Enclosures

In the S15 and S55 Compact Speaker Systems, Yamaha has combined the very best in compact speaker reproduction performance, high power capacity, elegant design, and affordability. They are ideal for wide range of personal monitoring applications as well as commercial installations.

Both models feature a two-way format for clean, precise reproduction over an extraordinarily wide range — up to 40 kHz in the high end for accurate reproduction of the upper harmonic components that are so critical to natural music reproduction. Reproduction quality is also significantly enhanced by a new Waveguide Horn design that achieves smooth high-end reproduction and broad, uniform dispersion.

And although small, these advanced speaker systems handle a surprising amount of power. The S15 is quite comfortable with up to 80 watts of continuous program power, while the S55 will easily handle a hefty 140 watts. In spite of their very large contribution to overall musical quality, the S15 and S55 can be mounted out of the way in just about any convenient space.

A variety of mounting options make mounting to a wall, ceiling, or speaker stand quick and easy.

If you're serious about your sound but are limited for space, the Yamaha S15 and S55 deserve careful consideration.



S15



S55

Capacity in Compact

■ Original Yamaha Waveguide Horn Design

The wavefront initially generated at the high-frequency driver's diaphragm is planar (flat). Ideally this should be converted to a natural spherical wavefront before being introduced into the listening area — and this is precisely where Yamaha's Waveguide Horn technology excels. The spherical waveguide horn design employed in the S15 and S55 produces a virtually ideal spherical wavefront by minimizing constrictions in the throat area as well as discontinuities in the walls of the horn itself.



The Horn is perfectly circular, with a smooth, precisely formed curve from throat to lip. Since all equivalent distances from the throat to the horn's lip are equal, reflections and interference are minimized for extraordinarily natural, distortion-free sound with uniform dispersion at all frequencies.

■ High-performance Drivers

The low- and high-frequency drivers employed in the S15 and S55 have both been painstakingly designed to provide the optimum balance of precise reproduction and high power handling capacity. The cone woofers, for example, feature extra-long voice coils and large magnets in a precision-designed magnetic circuit that allows ex-

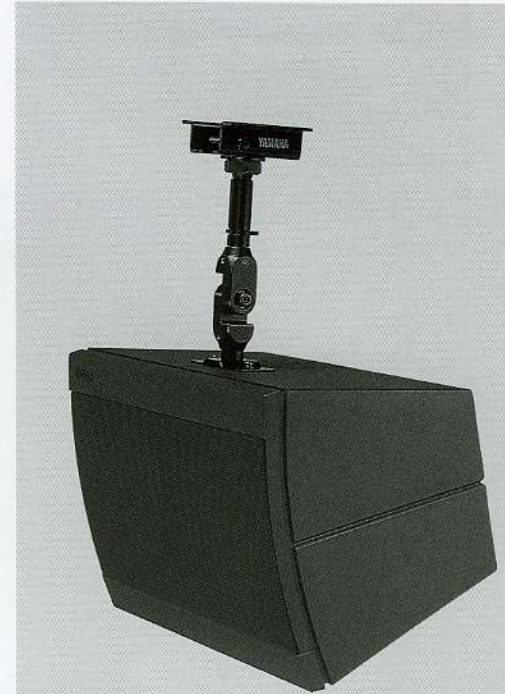
tended cone excursion without a trace of breakup or distortion. The tweeters also have large high-flux-density magnetic circuits and titanium domes for instantaneous response to even the most fleeting transients — thus the tweeters' ability to reproduce signals accurately to an impressive 40 kHz. The tweeter additionally features an automatic-reset power protection circuit which blocks power to the tweeter in case of overload from feedback or amplifier oscillation.

■ Rugged Acoustically-designed Enclosures

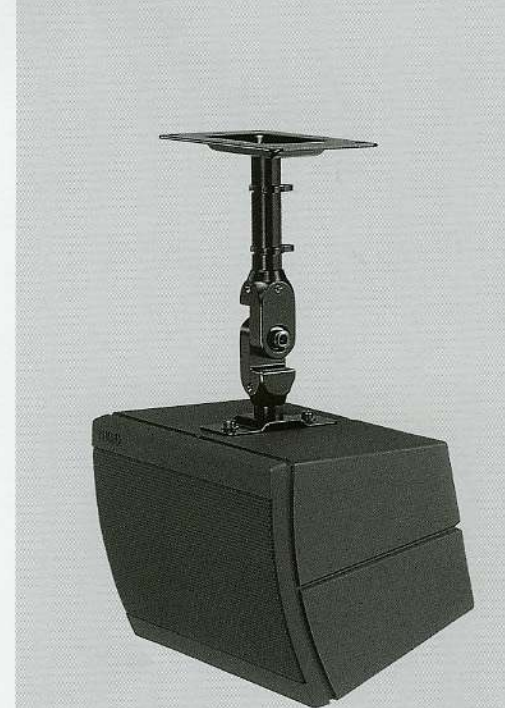
The performance of a speaker's components is critical, but what you put them in can also make a big difference. The S15 and S55 enclosures are trapezoidal bass-reflex types constructed of state-of-the-art materials for minimum resonance, rich bass reproduction, and extended durability. The S55 enclosure additionally features full magnetic shielding, so it can be used in close proximity to TV sets or video monitors without distorting the picture or damaging the picture tube.

■ A Range of Mounting Options

Whether you want to mount the S15 or S55 on a wall, ceiling, or stand, there's a mounting option that will do the job. Free-angle wall- and ceiling-mount brackets let you set the speaker at any angle for optimum sound and coverage. There's also a bracket for stand mounting that makes it easy to position the speakers anywhere at the optimum height. All these options mean that temporary or permanent installation can be carried out quickly and easily in any environment.



BCS20-150/210/270 Ceiling Bracket



BWS20-120/190/260 Wall Bracket

Specifications

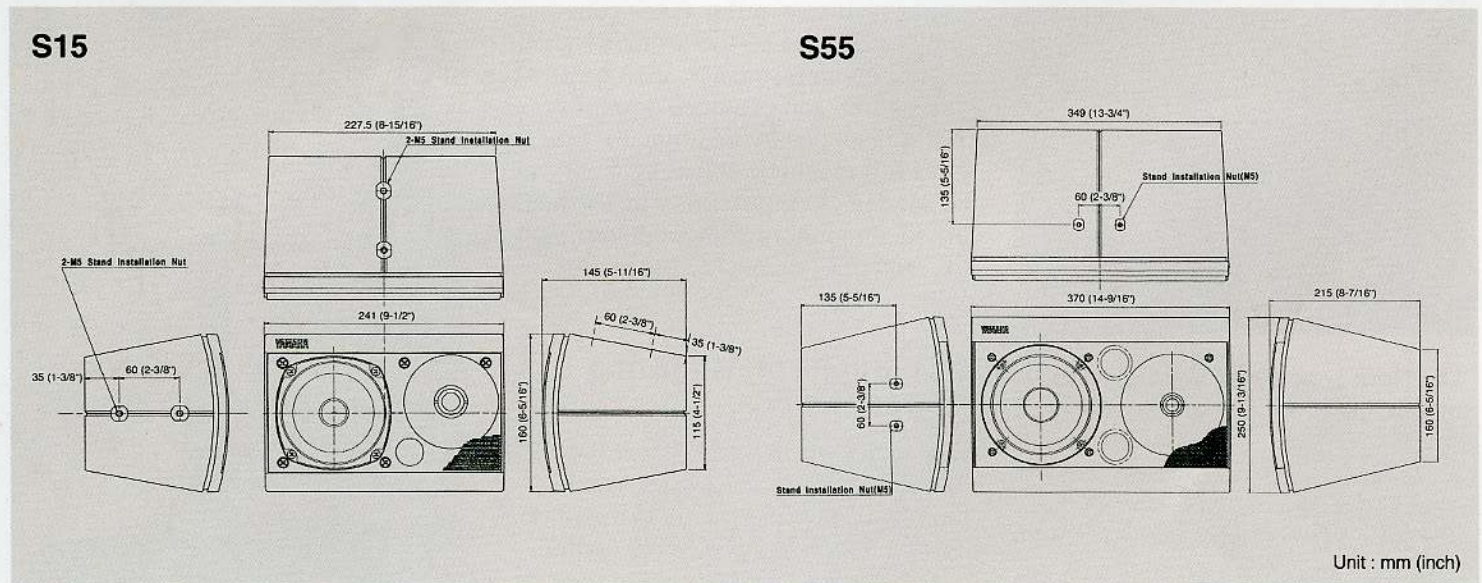
	S15	S55
Frequency Response	65 ~ 40 KHz	60 ~ 40 KHz
Power Capacity	40W (NOISE) 80W (PGM) 160W (MAX)	70W (NOISE) 140W (PGM) 250W (MAX)
Impedance	6 ohms	6 ohms
Sensitivity	88 dB/W/m	90 dB/W/m
Speaker Components	LF : 5" Cone HF : 1" Horn	LF : 6.5" Cone HF : 1" Horn
Cross Over Frequency	3.5 KHz	2.5 KHz
Protection Circuit	Yes (H.F)	Yes (H.F)
Dimensions (W × H × D)	241 mm × 160 mm × 145 mm (9-1/2" × 6-5/16" × 5-11/16")	370 mm × 250 mm × 215 mm (14-9/16" × 9-13/16" × 8-7/16")
Weight	2.8 Kg (6 lbs. 2oz)	6 Kg (13 lbs. 3oz)

Specifications subject to change without notice.

Option

	Ceiling Mount	Wall Mount	Speaker Stand	Bracket Others
S15	BWS20-120/190/260 BCS20-150/210/270	BWS20-120/190/260	STS10	BAS10 (Free-Angle Clamp) BMS10A (Micstand Adaptor)
S55	BWS20-120/190/260 BCS20-150/210/270	BWS20-120/190/260	—	—

Dimensions



YAMAHA Web Site

<http://www.yamaha.co.jp/english/>
<http://www.yamaha.co.jp/product/proaudio/homeenglish/>

For details please contact:

YAMAHA
 YAMAHA CORPORATION
 P.O.Box 1, Hamamatsu, Japan
 LPA330 0095 Printed in Japan

This document is printed on chlorine free (ECF) paper.